

YITAHOME PSPPPC-0060-E

YITAHOME Outdoor Chicken Coop Instruction Manual

Model: PSPPPC-0060-E

1. INTRODUCTION AND PRODUCT OVERVIEW

Thank you for choosing the YITAHOME Outdoor Chicken Coop. This manual provides essential information for the safe and efficient assembly, operation, and maintenance of your new animal enclosure. Please read these instructions carefully before beginning assembly and retain them for future reference.

Key Features:

- **High-Quality Materials:** Constructed with a galvanized steel frame and PVC coating for rust and weather resistance. The PE (polyethylene) roof offers waterproof and UV-resistant properties, ensuring a comfortable environment for your animals.
- **Easy Assembly:** Features a snap-lock design and spring mechanism for quick and tool-free setup. The included wire mesh can be cut to size, and the rain cover with eyelets can be flexibly secured with elastic straps.
- **Security and Stability:** A lockable door ensures animal safety. Robust materials provide a stable structure, preventing collapse and offering a secure habitat. The integrated door design allows convenient access while maintaining secure locking.
- **Weather Protection:** The included PE rain cover and sun protection panels effectively block rainwater and shield animals from adverse weather. The sun panel design also prevents excessive sunlight, maintaining a comfortable ambient temperature.
- **Spacious Environment:** Measuring approximately 300 x 400 x 200 cm (3x4x2m), this enclosure provides ample space for small animals to move and rest freely, promoting their health and well-being.
- **Versatile Use:** Suitable for various small animals including chickens, ducks, rabbits, and other poultry.



Figure 1: Assembled YITAHOME Outdoor Chicken Coop.

2. SAFETY INFORMATION

Please observe the following safety precautions to prevent injury and damage to the product:

- Always assemble the coop on a flat, stable surface.
- Ensure all connections are securely fastened before placing animals inside.
- Keep small children and pets away from the assembly area to prevent accidents.
- Wear appropriate protective gear (gloves, eye protection) during assembly, especially when handling wire mesh.
- Regularly inspect the coop for any signs of wear, damage, or loose components.
- Do not climb on or lean heavily on the coop structure.

3. PACKAGE CONTENTS

Before beginning assembly, verify that all parts are present and undamaged. If any parts are missing or damaged, please contact customer support.

- Galvanized Steel Frame Components
- Wire Mesh Roll
- PE Weatherproof Cover (Roof)
- Door Assembly with Lock
- U-Stakes for Ground Anchoring
- Rubber Bands/Elastic Straps for Cover
- Connectors and Fasteners
- Instruction Manual (this document)

4. SETUP AND ASSEMBLY INSTRUCTIONS

Follow these steps for a smooth assembly process. It is recommended to have at least two people for assembly.

1. **Prepare the Area:** Choose a level, clear outdoor space for the coop. Ensure adequate drainage and sunlight exposure as desired.
2. **Assemble the Frame:** Connect the galvanized steel frame components using the snap-lock design and spring mechanisms. Ensure each connection clicks into place securely. Refer to the included diagram for the correct frame structure.

ENHANCED STABILITY

Seamless Frame Assembly within Minutes



Figure 2: Quick-connect frame design for easy assembly.

- 3. Install the Wire Mesh:** Unroll the wire mesh and attach it to the assembled frame. The mesh can be cut to fit specific sections. Use the provided fasteners or ties to secure the mesh tightly to the frame, ensuring there are no gaps for animals to escape or predators to enter.



Figure 3: Frame with wire mesh installed.

- 4. Attach the Door:** Mount the door assembly to the designated opening in the frame. Ensure the hinges operate smoothly and the lock mechanism functions correctly.



Figure 4: Door assembly and access.

- 5. Install the Weatherproof Cover:** Drape the PE weatherproof cover over the roof section of the frame. Align the eyelets with the frame and secure the cover using the provided rubber bands or elastic straps. Ensure the cover is taut to prevent water pooling.



Figure 5: Weatherproof cover installation and stability features.

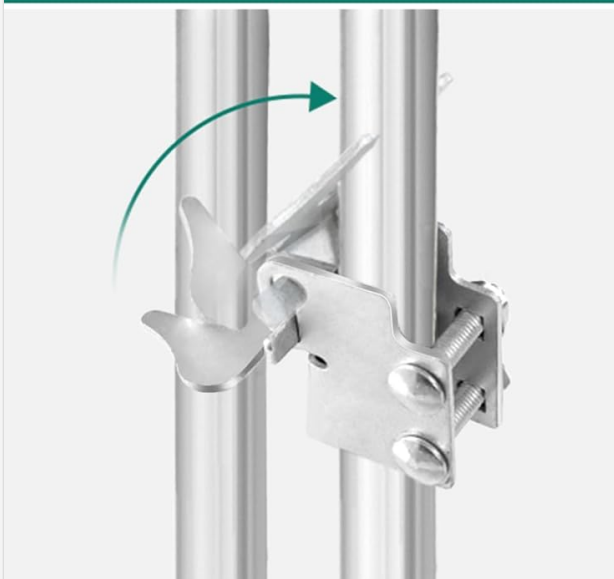
6. **Anchor the Coop:** Use the U-stakes to firmly anchor the base of the coop to the ground. This enhances stability and prevents the coop from shifting or being overturned by strong winds.



Sturdy U Stakes



Durable Metal Bottom



Secure Door Lock



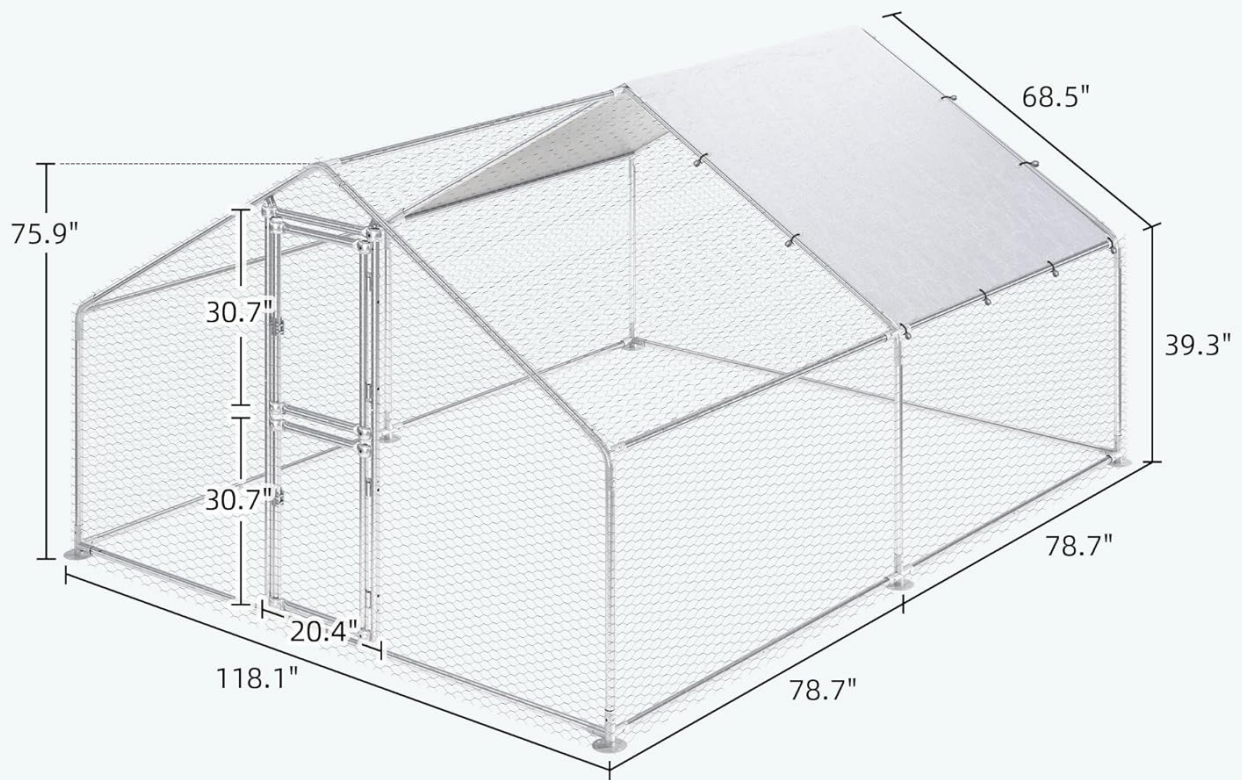
Rubber Band

Figure 6: Detailed view of U-stakes, bottom plate, door lock, and cover attachment.

5. OPERATING INSTRUCTIONS

Using your YITAHOME chicken coop is straightforward:

- **Animal Placement:** Once fully assembled and secured, you can introduce your animals to the coop. Ensure they have access to food, water, and any necessary shelter within the enclosure.
- **Door Access:** Use the integrated door for easy entry and exit. Always ensure the door is securely locked when animals are inside to prevent escape and protect them from predators.
- **Weather Protection:** The PE cover provides protection from rain and excessive sun. Adjust the cover as needed to optimize shade and ventilation based on weather conditions.
- **Ventilation:** The wire mesh design ensures good airflow, which is crucial for animal health.



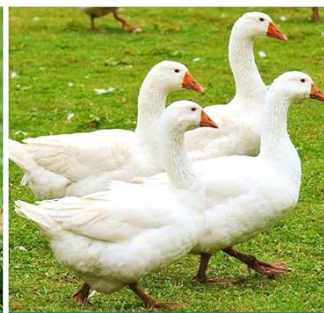
SUITABLE FOR DIVERSE POULTRY



Chicken



Duck



Goose



Rabbit

Figure 7: Coop dimensions and suitability for various small animals.

6. MAINTENANCE

Regular maintenance will extend the lifespan of your chicken coop and ensure a healthy environment for your animals:

- **Cleaning:** Periodically clean the coop interior and exterior. Use mild soap and water for the frame and cover. Ensure all cleaning agents are animal-safe.
- **Inspection:** Regularly check all frame connections, wire mesh, and the door lock for any signs of damage, rust, or loosening. Tighten any loose fasteners.
- **Cover Condition:** Inspect the PE cover for tears or damage. Replace if necessary to maintain weather protection.
- **Ground Anchoring:** Verify that the U-stakes remain firmly in the ground, especially after heavy rain or strong winds.

7. TROUBLESHOOTING

Here are some common issues and their solutions:

- **Coop feels unstable:**
 - Ensure all frame connections are fully engaged and secured.
 - Verify that the U-stakes are deeply and firmly anchored into the ground.
 - Check that the coop is on a level surface.
- **Water pooling on the roof cover:**
 - Ensure the PE cover is stretched taut and securely fastened with all elastic straps.
 - Check for any sagging points and adjust the cover's position.
- **Door not locking properly:**
 - Inspect the lock mechanism for obstructions or damage.
 - Ensure the door is properly aligned within the frame.
- **Wire mesh is loose or damaged:**
 - Re-secure loose sections with additional fasteners or ties.
 - For significant damage, consider replacing the affected section of mesh.

8. SPECIFICATIONS

Brand	YITAHOME
Model Number	PSPPPC-0060-E
Dimensions (L x W x H)	300 x 400 x 200 cm (3x4x2m)
Materials	Galvanized Steel, PVC, Polyethylene (PE), Metal
Special Features	Easy Assembly, Weather Resistant, Secure, Spacious
Country of Origin	China

9. WARRANTY AND SUPPORT

For warranty information and customer support, please refer to the retailer's (Amazon.it) return and warranty policies. For specific product inquiries or assistance with missing/damaged parts, please contact YITAHOME customer service directly.

You can typically find detailed return and warranty information on the product's purchase page or Amazon's help section:

- **Amazon Return Policy:** [Amazon.it Returns & Refunds](#)
- **Contact YITAHOME:** Refer to the contact information provided with your purchase or on the official YITAHOME website.

