



[Manuals.plus](#) /

> [DHP](#) /

> DHP Aliyah Upholstered Bed with Low Profile Platform Frame, Queen - Instruction Manual

DHP DA4073639

DHP Aliyah Upholstered Bed with Low Profile Platform Frame, Queen - Instruction Manual

1. SAFETY INFORMATION

Please read all instructions carefully before assembly and use. Keep this manual for future reference.

- **Proposition 65 Warning:** This product can expose you to chemicals including formaldehyde, which is known to the State of California to cause cancer. For more information go to www.P65Warnings.ca.gov.
- Ensure all parts are present and undamaged before beginning assembly.
- Assemble on a soft, clean surface to prevent scratching.
- Do not overtighten fasteners.
- Periodically check and retighten all connections.
- This bed frame is designed for use with a mattress. A box spring is not required.
- Maximum weight limit: 500 lbs.

2. PRODUCT OVERVIEW

The DHP Aliyah Upholstered Bed features a low-profile platform frame with a tufted wingback headboard and slanted wooden legs. It is designed to provide a stable and stylish foundation for your mattress without the need for a box spring.



Figure 2.1: The DHP Aliyah Upholstered Bed, Queen size, in blue linen fabric, shown in a bedroom environment.



Figure 2.2: Detail of the tufted wingback headboard, highlighting the upholstered fabric and button detailing.

3. SETUP AND ASSEMBLY

Assembly of the DHP Aliyah Upholstered Bed requires two adults and basic household tools (not included). Follow these steps carefully.

3.1. Unpacking and Part Identification

1. Carefully unpack all components from the packaging.
2. Verify that all parts listed in the hardware and parts list (typically found in the packaging) are present.

3.2. Assembling the Headboard and Side Rails



Figure 3.1: The headboard and side rails ready for assembly. Ensure all connection points are aligned.

1. Attach the side rails to the headboard using the provided hardware. Ensure a secure fit.
2. Attach the footboard to the side rails, completing the main frame structure.

3.3. Attaching Support Legs



Figure 3.2: A close-up view of one of the slanted wooden legs, showing its attachment point to the bed frame.

1. Securely attach the four slanted wooden legs to the corners of the bed frame.
2. Install the center support legs along the central beam of the bed frame. These provide crucial stability.

3.4. Installing the Slat System



Figure 3.3: The bed frame with the bentwood slats being placed into their designated holders along the side rails and center support.

1. Unroll or place the bentwood slats across the bed frame.
2. Ensure each slat is properly seated in its plastic holder on the side rails and the center support beam.
3. Confirm all slats are evenly spaced and securely in place.



Figure 3.4: The fully assembled bed frame, showcasing the integrated slat system and support legs, ready for a mattress.

4. OPERATING INSTRUCTIONS

Once assembled, the DHP Aliyah Upholstered Bed is ready for use.

- Place your Queen-sized mattress directly onto the bentwood slat system. A box spring is not required.
- Ensure the mattress is centered on the frame.
- The bed is designed to support a maximum weight of 500 lbs (including mattress and occupants). Do not exceed this limit.

5. MAINTENANCE

Proper care will extend the life and appearance of your DHP Aliyah Upholstered Bed.

- **Cleaning:** Wipe the upholstered surfaces with a damp cloth. Avoid harsh chemicals or abrasive cleaners.
- **Inspections:** Periodically inspect all bolts and fasteners to ensure they remain tight. Retighten as necessary to maintain stability.

- **Avoid Direct Sunlight:** Prolonged exposure to direct sunlight may cause fabric fading.

6. TROUBLESHOOTING

If you encounter any issues with your DHP Aliyah Upholstered Bed, refer to the following common solutions:

Problem	Possible Cause	Solution
Bed feels unstable or wobbly	Loose fasteners or uneven legs.	Check and tighten all bolts and screws. Ensure the bed is on a level surface. Adjust leg levelers if present.
Squeaking noises	Loose connections, slats rubbing against frame, or mattress movement.	Tighten all hardware. Ensure slats are properly seated. Consider placing a thin fabric layer between slats and mattress if noise persists.
Slats falling out of place	Improper installation or excessive weight.	Re-seat all slats firmly into their holders. Ensure weight limit is not exceeded.

7. SPECIFICATIONS

Detailed product specifications for the DHP Aliyah Upholstered Bed, Queen.

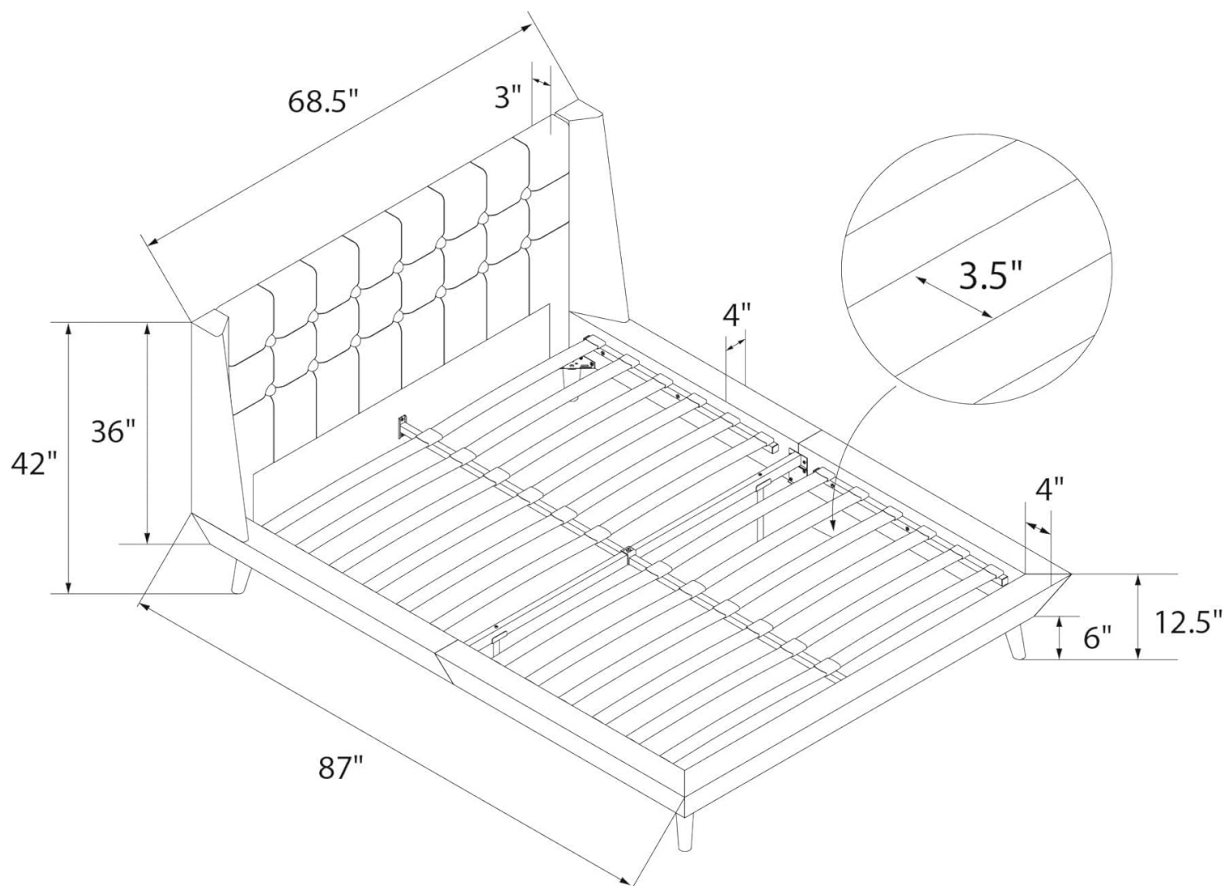


Figure 7.1: Dimensional diagram of the DHP Aliyah Upholstered Bed, Queen size.

- **Model Number:** DA4073639
- **UPC:** 065857736304

- **Size:** Queen (U.S. Standard)
- **Product Dimensions (L x W x H):** 87" x 68.5" x 42"
- **Item Weight:** 97 lbs
- **Weight Limit:** 500 lbs
- **Color:** Blue Linen
- **Finish Type:** Wood (for legs)
- **Assembly Required:** Yes
- **Mattress Compatibility:** Queen (U.S. Standard)
- **Special Features:** Upholstered, Headboard Included, Fire Resistant, No Box Spring Required

8. WARRANTY AND SUPPORT

For warranty claims or customer support, please refer to the information below.

- **Warranty:** This product comes with a 1-year limited warranty. Please retain your proof of purchase for warranty claims.
- **Customer Support:** For assistance with assembly, missing parts, or other inquiries, please visit the DHP Store on Amazon or contact DHP customer service directly.