

[Manuals.plus](#) /

> [Roinvou](#) /

> Roinvou 5G WiFi Android 13 Car Stereo User Manual for Hyundai Sonata 2015-2017

Roinvou Roinvou-A7483A3195A4MI2US31-C251

Roinvou 5G WiFi Android 13 Car Stereo User Manual

Model: Roinvou-A7483A3195A4MI2US31-C251 for Hyundai Sonata 2015-2017

INTRODUCTION

This manual provides detailed instructions for the installation, operation, and maintenance of your Roinvou 5G WiFi Android 13 Car Stereo. Please read this manual thoroughly before using the product to ensure proper function and safety. This unit is designed for Hyundai Sonata 2015, 2016, and 2017 models with left-hand drive.

WHAT'S IN THE BOX

Verify that all components are present before beginning installation.

- Hyundai Sonata Car Stereo Head Unit
- Power Cable
- RCA Harness
- GPS Antenna
- AHD Backup Camera
- External Microphone
- Rear Camera Input Cable
- Dual USB Cable
- Installation Tool & Accessories



Package List

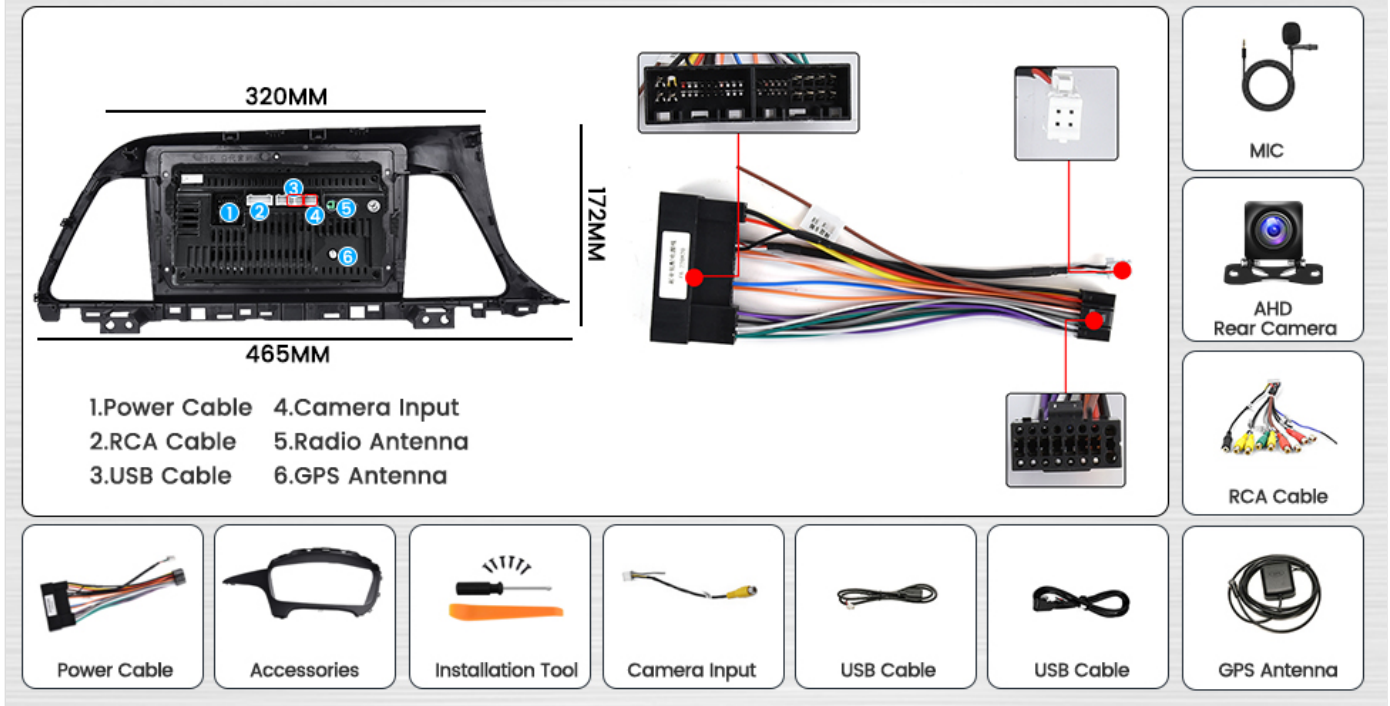


Figure 1: Package Contents. This image displays all items included in the Roinvou car stereo package, such as the head unit, various cables, antennas, and the backup camera.

SETUP AND INSTALLATION

Important Note: This unit is specifically designed for Hyundai Sonata 2015-2017 left-hand drive models. Ensure your car's central control panel matches Option A as shown below. The power cable does NOT support the original car with a factory backup camera; a separate purchase may be required if you wish to retain or add a backup camera.

For Hyundai Sonata 2015-2017 (LHD)

Hey Siri, text John.

Hey Google, call Annie.



Figure 2: Before and After Installation. This image illustrates the visual transformation of the car's dashboard after the Roinvou car stereo is installed, highlighting the larger screen and modern interface.

CAR MODELS Attention

Before purchasing, please select the product based on your original car's central control panel. This product only supports Option A. If you require Option B, please contact our customer service for suitable recommendations.



Figure 3: Car Model Compatibility. This image helps users identify if their Hyundai Sonata dashboard configuration (Option A) is compatible with the car stereo, distinguishing it from an incompatible Option B.

Wiring Diagram for Backup Camera

For connecting the AHD backup camera, follow the diagram below. Ensure correct power and video connections for proper functionality.

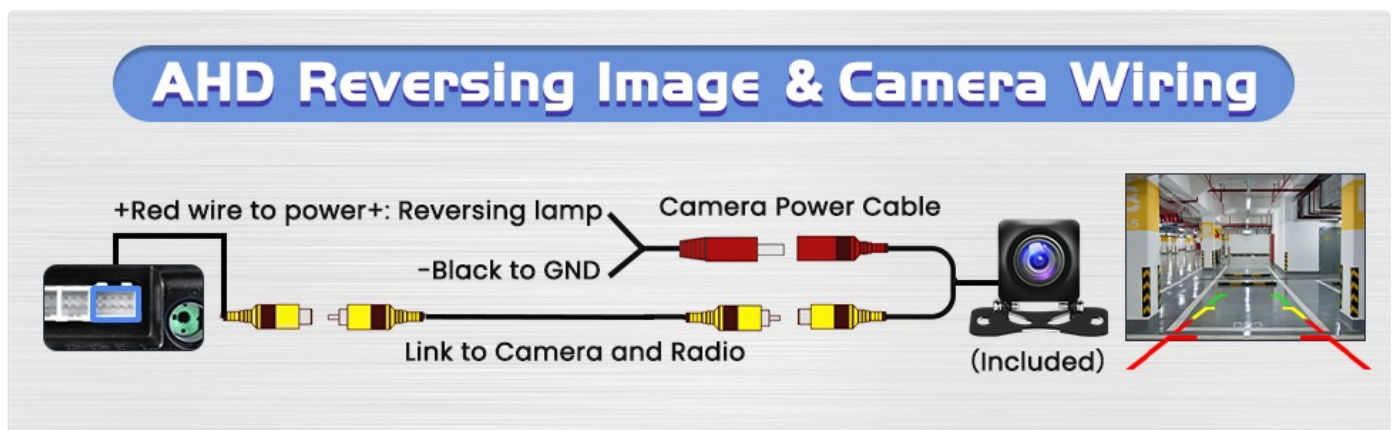


Figure 4: Backup Camera Wiring. This diagram illustrates how to connect the included AHD backup camera to the car stereo, showing

OPERATING INSTRUCTIONS

1. Wireless CarPlay & Android Auto

The car stereo supports both wireless and wired Apple CarPlay and Android Auto, allowing seamless integration with your smartphone for navigation, music, calls, and messages.



Figure 5: CarPlay and Android Auto Interface. This image displays the user interfaces for both Wireless CarPlay and Android Auto on the car stereo screen, demonstrating app integration and phone mirroring capabilities.

Your browser does not support the video tag.

Video 1: UI Function & Carplay and Android Auto Connection. This video demonstrates the user interface functions of the car stereo and how to connect both Apple CarPlay and Android Auto.

2. GPS Navigation

The built-in GPS module supports both online and offline navigation. You can download free offline map data for use without an internet connection.



Figure 6: GPS Navigation. This image shows the GPS navigation screen, illustrating map display and route guidance.

3. 5G WiFi & Hotspot

Connect to WiFi or use your phone's hotspot to access online maps, download apps from the Play Store (e.g., YouTube, TikTok), and browse the internet.



Figure 7: WiFi Hotspot. This image demonstrates the car stereo's ability to connect to WiFi or a mobile hotspot, enabling access to online applications and services.

4. Bluetooth & FM/RDS Radio

Enjoy hands-free calling, music streaming, and access to FM/RDS radio with 18 preset stations. The external microphone ensures clear call quality.

- **Bluetooth:** Pair your phone for calls, contacts sync, and audio playback.
- **FM/RDS Radio:** Tune into your favorite stations, receive weather forecasts and real-time road conditions.



Figure 8: Hands-free Bluetooth. This image shows the Bluetooth calling interface, including a dial pad and contact access for hands-free communication.



Figure 9: FM/RDS Radio. This image displays the FM radio interface, showing frequency tuning and preset station options.

5. Steering Wheel Control

Program your original car's steering wheel buttons to control the stereo, enhancing safety and convenience while driving.



Figure 10: Steering Wheel Control Setup. This image illustrates the interface for programming steering wheel controls, allowing users to assign functions to their car's existing buttons.

6. Built-in DSP (Digital Sound Processor)

Customize your audio experience with multiple EQ options and sound field adjustments for various music genres.



Figure 11: Built-in DSP. This image shows the Digital Sound Processor interface, featuring an equalizer for fine-tuning audio frequencies and sound field adjustments.

7. Split Screen Function

Multitask efficiently by viewing two applications simultaneously on the screen, such as navigation and music playback.



Figure 12: Split Screen. This image demonstrates the split-screen functionality, allowing two applications, such as a map and music player, to be displayed side-by-side.

8. Desktop Themes

Personalize your user interface with 28 different desktop themes. Press and hold the home screen to switch between themes.



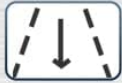
Figure 13: 28 Desktop Themes. This image showcases a variety of desktop themes available, allowing users to customize the visual appearance of their car stereo interface.

9. AHD Reversing Image

When connected to the AHD backup camera, the stereo automatically displays the reversing image upon shifting into reverse gear, enhancing parking safety.



AHD Reversing Image



Reference Line



HD Image



Waterproof

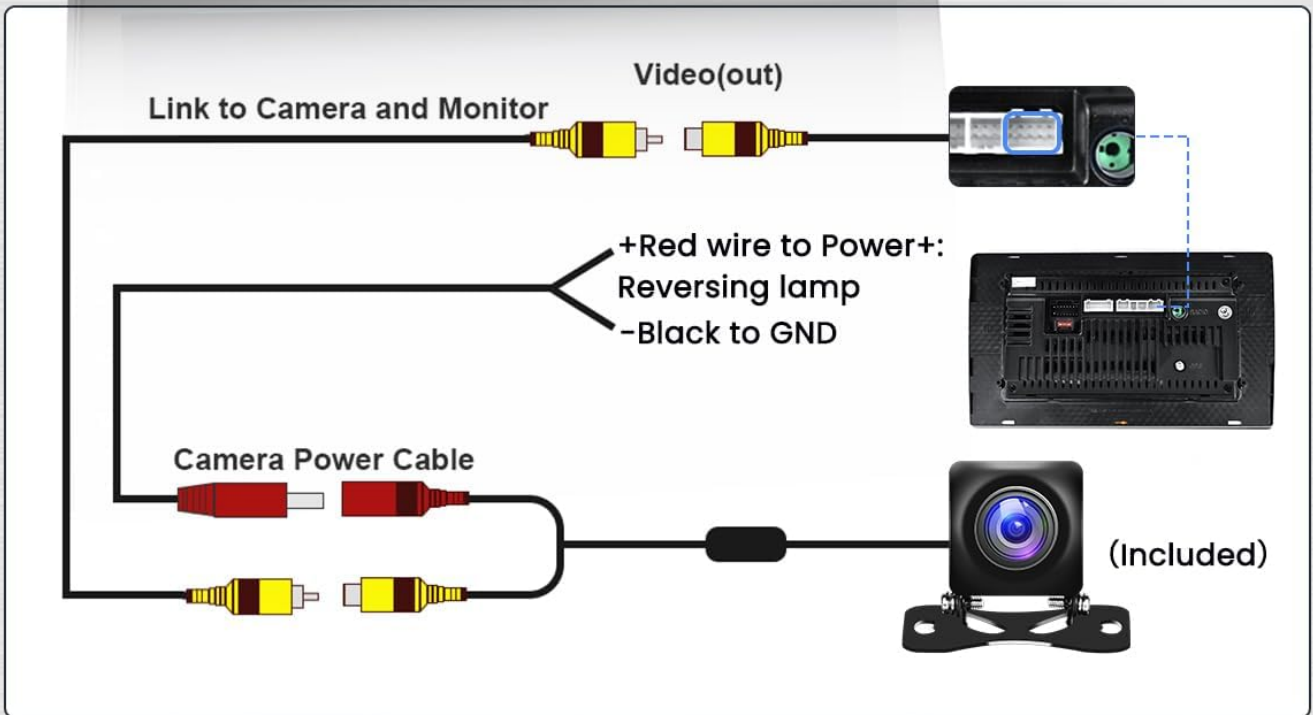


Figure 14: AHD Reversing Image. This image shows the clear, high-definition view from the AHD backup camera on the car stereo screen, complete with parking guidelines for safer reversing.

SPECIFICATIONS

Feature	Detail
---------	--------

Brand	Roinvou
Model Name	RM
Vehicle Service Type	Car (Hyundai Sonata 2015-2017 LHD)
Screen Size	9 Inches
Resolution	1024 x 600
Operating System	Android 13
Memory Storage Capacity	64 GB
Connectivity Technology	Bluetooth, USB, Wi-Fi (5G)
Special Features	Wireless/Wired CarPlay & Android Auto, IPS Touchscreen, FM RDS Radio, EQ Settings, Mirror Link, GPS Navigation, DSP, Steering Wheel Control, 28 Desktop Themes
Map Type	North America (offline maps available)
Audio Output Mode	Stereo
Human-Interface Input	Microphone, Touchscreen
Supported Satellite Navigation System	GPS

TROUBLESHOOTING

Q: CarPlay/Android Auto disconnects frequently.

A: Ensure your phone's operating system is up to date. Check the USB cable for wired connections; use a high-quality cable. For wireless connections, verify a stable WiFi/Bluetooth connection and ensure all necessary permissions are granted on your phone. Some Samsung phones may have restrictions with Android Auto.

Q: No sound from the stereo.

A: Check all wiring connections, especially the power and speaker cables. Ensure the volume is not muted or set too low. Verify the correct audio source is selected.

Q: Backup camera not displaying image.

A: Confirm the backup camera is correctly wired according to the diagram (Figure 4). Check if the camera is receiving power and if the video input cable is securely connected to the stereo. Ensure the car is in reverse gear.

Q: Screen is unresponsive or frozen.

A: Try restarting the unit by turning off your car's ignition and restarting it. If the issue persists, a factory reset might be necessary (refer to the settings menu, but note this will erase personal data).

WARRANTY AND SUPPORT

Your Roinvou car stereo comes with a **1-Year Warranty**. For technical support, troubleshooting assistance, or warranty claims, please contact Roinvou customer service.

You can reach us via the Amazon platform by visiting the Roinvou Store and clicking "Ask a question".

24 Hours Customer Support

Ships from Amazon
Sold by **Roinvou**
Returns 30-day refund/replacement

24 SERVICES

Step 1: Click Roinvou Store

Have a question for Roinvou?
Ask a question

Step 2: Click Ask a question

roinvouservices@163.com

Figure 15: Customer Support. This image provides visual guidance on how to access Roinvou customer support through the Amazon platform.