

Maclean MC-985

Maclean MC-985 TV Wall Mount Instruction Manual

Model: MC-985 | Brand: Maclean

1. INTRODUCTION AND SAFETY INFORMATION

This manual provides detailed instructions for the safe installation, operation, and maintenance of your Maclean MC-985 TV Wall Mount. Please read all instructions carefully before installation and retain this manual for future reference.

Important Safety Warnings:

- Do not exceed the maximum load capacity of 45 kg (99 lbs).
- Ensure the wall structure can safely support the combined weight of the mount and your television. Consult a professional if unsure.
- Use appropriate mounting hardware for your specific wall type (wood stud, concrete, brick, etc.).
- Always use two people for installation to prevent injury or damage.
- Keep children and pets away during installation.
- Check all connections and fasteners regularly to ensure they remain secure.



Image 1: Maclean MC-985 TV Wall Mount in use, demonstrating its adjustable position.

2. PACKAGE CONTENTS

Verify that all components are present and undamaged before beginning installation. If any parts are missing or defective, contact Maclean customer support.



Image 2: Overview of the mounting components included with the Maclean MC-985.

3. SPECIFICATIONS

Feature	Specification
Model Number	MC-985
Screen Size Compatibility	37" to 70"
Maximum Load Capacity	45 kg (99 lbs)
VESA Compatibility	100x100, 100x200, 200x100, 200x200, 300x200, 400x200, 300x300, 400x300, 600x200, 400x400, 600x300 mm
Wall Distance (Extension)	80 mm (min) to 915 mm (max)
Tilt Angle Adjustment	+5° to -10°
Material	High-quality metal (Steel)
Color	Black
Compatible TV Types	OLED/QLED/LCD/LED/Plasma

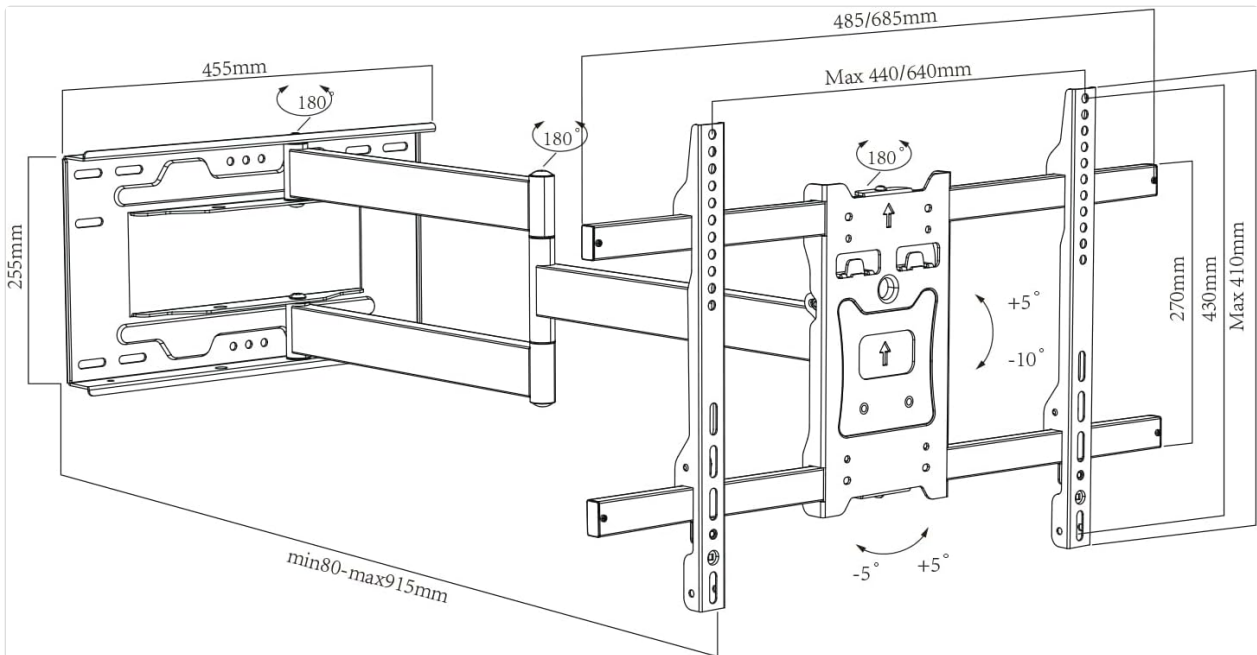


Image 3: Detailed technical drawing with dimensions and adjustment ranges.

4. SETUP AND INSTALLATION

Follow these steps carefully for a secure installation. Professional installation is recommended if you are not confident in your ability to perform these steps.

4.1. Pre-Installation Checks

- **Wall Type:** Identify your wall type (wood stud, concrete, brick). Different wall types require specific anchors and drilling techniques.

- **Stud Finder:** If mounting to wood studs, use a stud finder to locate the center of the studs.
- **Clearance:** Ensure there is sufficient space for the TV and mount, considering the full range of motion.

4.2. Attaching TV Brackets to TV

1. Carefully place your TV face down on a soft, clean surface to prevent screen damage.
2. Identify the VESA mounting holes on the back of your TV.
3. Select the appropriate screws and spacers from the provided hardware kit that fit your TV's VESA holes.
4. Attach the two vertical TV brackets to the back of your TV using the selected screws and spacers. Ensure they are securely tightened but do not overtighten.

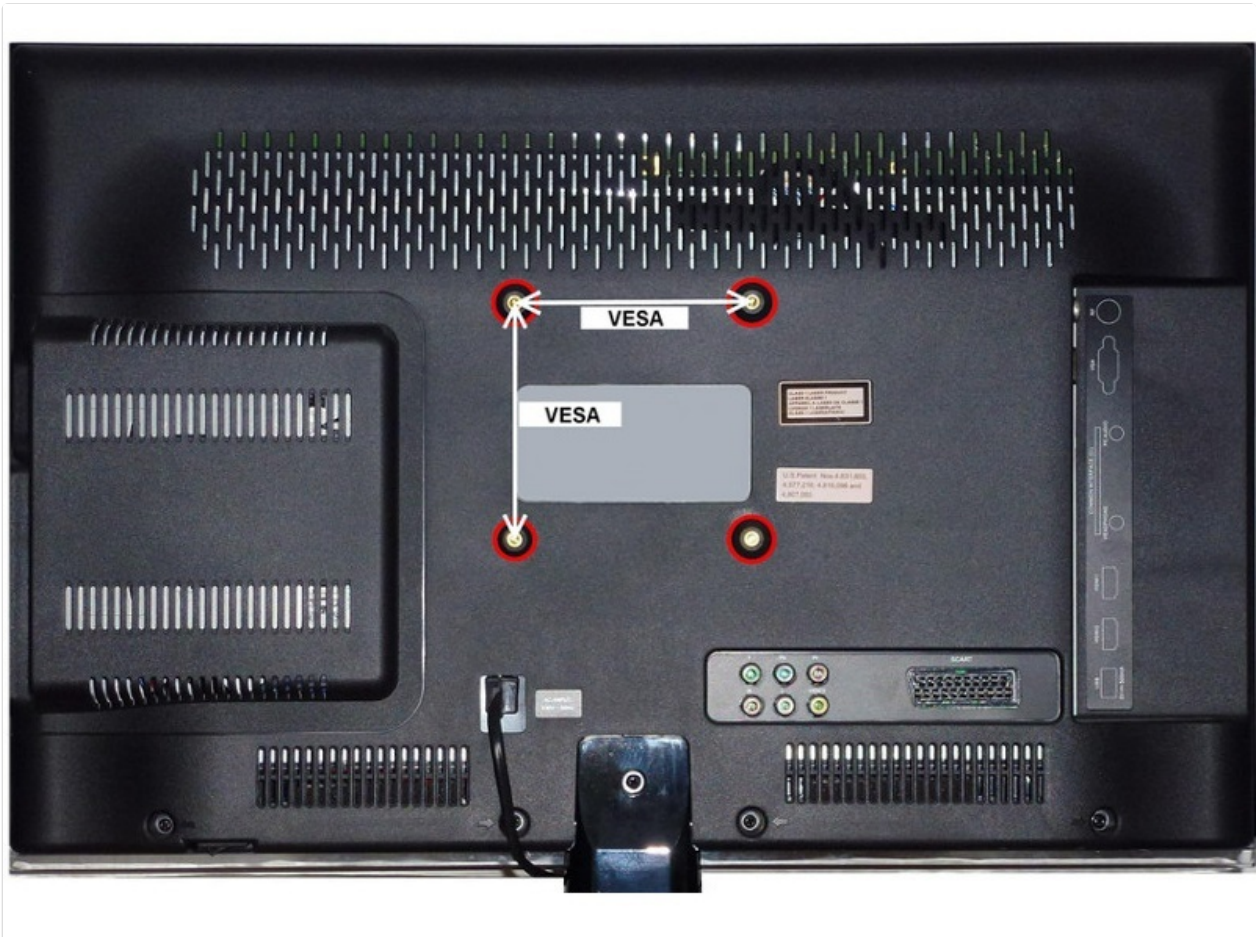


Image 4: Illustration of VESA mounting points on a TV back panel.

4.3. Mounting the Wall Plate

1. Hold the wall plate against the wall at your desired mounting height. Use a level to ensure it is perfectly horizontal.
2. Mark the drilling points through the holes on the wall plate.
3. Drill pilot holes at the marked locations using the recommended drill bit size for your wall type.
4. Insert wall anchors (if required for your wall type).
5. Secure the wall plate to the wall using the appropriate screws and washers. Ensure it is firmly attached.



Image 5: The wall plate component of the TV mount.

4.4. Attaching the TV to the Wall Mount

1. With assistance, carefully lift the TV with the attached brackets.
2. Hook the TV brackets onto the arms of the wall mount. Ensure the TV is securely seated.
3. Engage any safety locking mechanisms on the TV brackets to prevent accidental dislodgement.

5. OPERATING INSTRUCTIONS

The Maclean MC-985 TV Wall Mount offers flexible positioning for optimal viewing.

5.1. Adjusting Extension (Distance from Wall)

The articulated arm allows you to extend your TV from 80 mm to a maximum of 915 mm from the wall. Gently pull or push the TV to achieve the desired distance. The arm joints are designed for smooth movement.

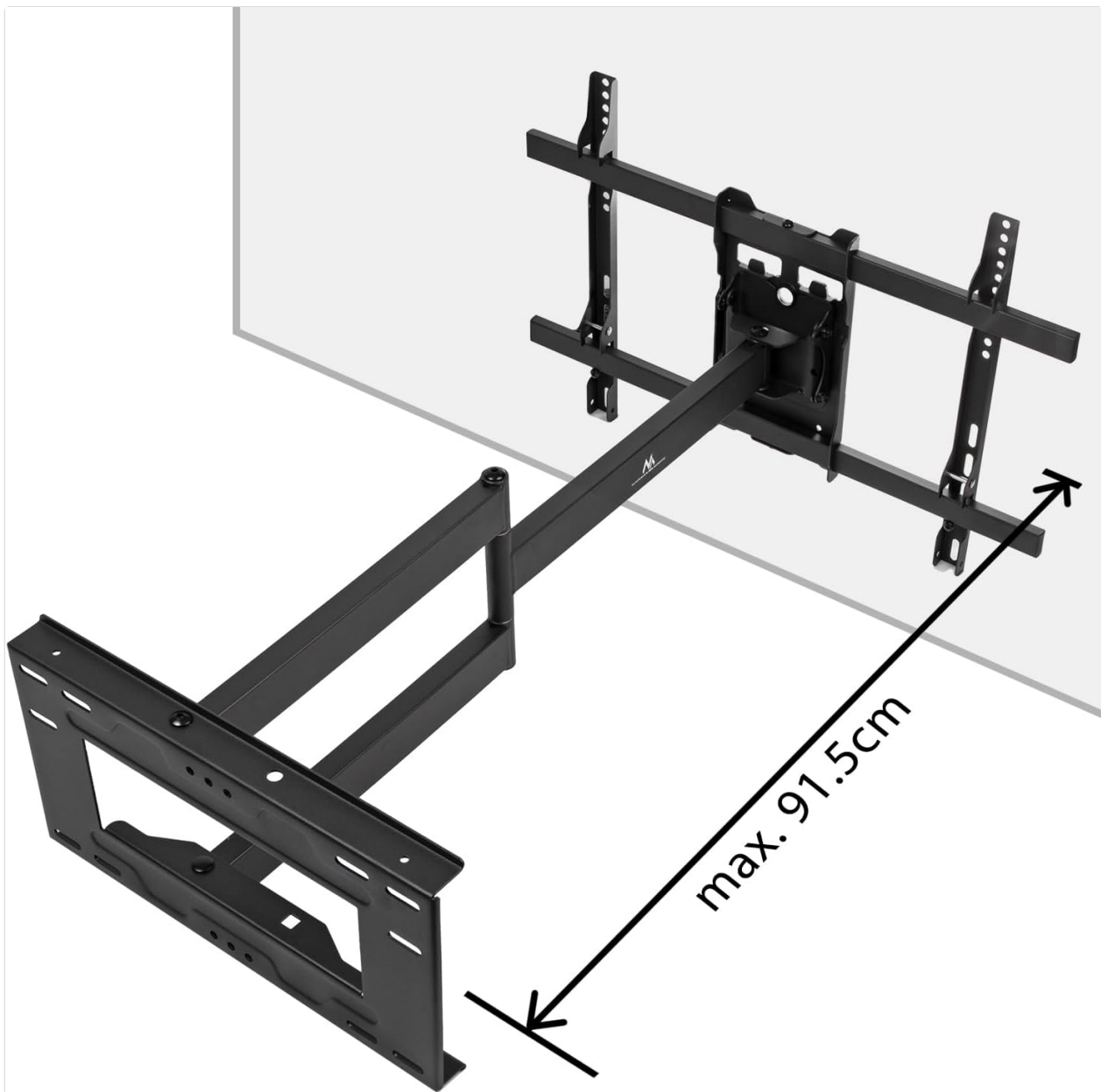


Image 6: The articulated arm extended, showing maximum reach.

5.2. Adjusting Tilt Angle

The TV can be tilted from +5° (upwards) to -10° (downwards) to reduce glare or achieve a better viewing angle. Loosen the tilt adjustment knobs (if present, refer to diagram) on the TV brackets, adjust the angle, and then re-tighten to secure the position.

5.3. Swivel Adjustment

The articulated design allows for left and right swivel movement. Gently pivot the TV to the desired viewing angle. The range of swivel depends on the TV size and its distance from the wall.

6. MAINTENANCE

Regular maintenance ensures the longevity and safe operation of your TV wall mount.

- **Cleaning:** Wipe the mount with a soft, dry cloth. Avoid abrasive cleaners or solvents.
- **Fastener Check:** Periodically check all screws and bolts (wall plate, TV brackets, and articulated arm joints) to ensure they are tight and secure. Re-tighten if necessary.

- **Movement Check:** Test the tilt, swivel, and extension movements occasionally to ensure they operate smoothly. If movement becomes stiff, check for obstructions or loose components.

7. TROUBLESHOOTING

If you encounter issues with your Maclean MC-985 TV Wall Mount, refer to the following common solutions:

Problem	Possible Cause	Solution
TV is not level	Wall plate or TV brackets are not level.	Adjust the level of the wall plate during installation. Some TV brackets allow for minor post-installation leveling adjustments.
Difficulty adjusting tilt/swivel	Adjustment knobs are too tight or joints are stiff.	Loosen adjustment knobs slightly. Ensure no cables are obstructing movement.
Mount feels unstable	Loose fasteners or incorrect wall anchors.	Immediately remove TV. Re-check all wall and TV fasteners. Ensure correct anchors were used for your wall type. Consult a professional.

8. WARRANTY AND SUPPORT

Maclean products are designed for durability and performance. For specific warranty details, please refer to the warranty card included with your product or visit the official Maclean website. For technical support or assistance with installation, please contact Maclean customer service through their official channels.

Contact Information: Refer to your product packaging or the official Maclean website for the most up-to-date contact details.