

Manuals+

[Q & A](#) | [Deep Search](#) | [Upload](#)

Manuals.plus /

› [MhaRt](#) /

› MhaRt Twin Loft Bed with Desk and Storage Shelves, Gray - Instruction Manual

MhaRt xx-921

MhaRt Twin Loft Bed with Desk and Storage Shelves, Gray - Instruction Manual

Model: xx-921

INTRODUCTION

This manual provides detailed instructions for the assembly, operation, and maintenance of your MhaRt Twin Loft Bed with Desk and Storage Shelves. Please read all instructions carefully before assembly and use to ensure safe and proper operation of the product. Keep this manual for future reference.



Image 1: The MhaRt Twin Loft Bed in Gray, featuring an integrated desk and storage shelves.

SAFETY INFORMATION

Your safety is paramount. Adhere to the following guidelines to prevent injury and ensure the longevity of your loft bed.

- **Weight Capacity:** The upper bed has a maximum weight capacity of 350 lbs. Do not exceed this limit.
- **Guardrails:** Always ensure guardrails are securely in place on the top bunk to prevent falls.
- **Ladder Use:** Use the provided ladder for access to the upper bunk. Ensure the ladder is stable before climbing. The integrated shelves also function as part of the step ladder; use them carefully.
- **Mattress Thickness:** Use a mattress with a recommended thickness of 6-8 inches for the upper bunk. Ensure the mattress does not exceed the height of the guardrails.
- **Assembly:** Assembly must be performed by adults. Ensure all hardware is tightened securely before use. Periodically check and re-tighten all connections.
- **Ventilation:** Ensure adequate ventilation around the bed, especially if placed against a wall.
- **No Jumping:** Do not jump on the bed.

PACKAGE CONTENTS

Your MhaRt Twin Loft Bed is shipped in two separate packages. Please verify that all components are present and undamaged before beginning assembly. If any parts are missing or damaged, contact customer support immediately.

- Package 1: Main bed frame components.
- Package 2: Desk, shelves, and additional structural elements.
- Hardware pack (screws, bolts, nuts, etc.)
- Assembly instructions (this manual).

SETUP AND ASSEMBLY

Assembly of the MhaRt Twin Loft Bed requires two adults. Follow the included step-by-step diagrams and instructions carefully. Ensure you have ample space for assembly.

Required Tools (Not Included):

- Phillips head screwdriver
- Allen wrench (often included with hardware, but a personal set may be helpful)
- Rubber mallet (optional, for gentle tapping of wooden dowels)

Assembly Steps:

1. **Unpack and Identify Parts:** Carefully unpack both packages. Lay out all components on a soft, clean surface to prevent scratches. Identify each part using the provided parts list in the separate assembly diagram.
2. **Assemble Bed Ends:** Attach the side rails to the headboard and footboard sections of the upper bunk. Ensure all bolts are finger-tightened initially.
3. **Install Slats:** Place the 15 wooden slats onto the designated supports within the bed frame. Secure them according to the assembly diagram. These slats provide mattress support and eliminate the need for a box spring.
4. **Attach Guardrails:** Securely fasten the full-length guardrails to the upper bunk frame.
5. **Construct Desk and Shelves:** Assemble the desk and storage shelf units as per the instructions. These units form the workstation underneath the bed.
6. **Integrate Ladder:** Attach the ladder, which also incorporates the storage shelves, to the main bed structure. Ensure it is firmly secured and stable.
7. **Final Tightening:** Once all components are in place, systematically tighten all bolts and screws using the appropriate tools. Do not overtighten.
8. **Placement:** Position the assembled loft bed in its desired location, ensuring it is level and stable.

Refer to the detailed assembly diagrams provided with your product for visual guidance on each step.



Image 2: Front view of the assembled MhaRt Twin Loft Bed, showcasing the integrated desk and storage shelves.

OPERATING INSTRUCTIONS

The MhaRt Twin Loft Bed is designed for versatile use, providing both a sleeping area and a functional workspace.

Using the Upper Bunk:

- Access the upper bunk using the integrated ladder/shelves. Always maintain three points of contact (two hands and one foot, or two feet and one hand) while climbing.
- Place a twin-size mattress (6-8 inches thick) directly on the wooden slats. No box spring is required.
- Ensure guardrails are always in place when the upper bunk is in use.

Using the Desk and Storage Shelves:

- The spacious desk underneath the bed provides a dedicated area for study or work. It can accommodate a laptop, books, and other essentials.
- Utilize the side shelves for organizing books, stationery, decorative items, or other personal belongings.
- Avoid placing excessively heavy items on the desk or shelves to prevent damage.

MAINTENANCE

Regular maintenance will help preserve the appearance and structural integrity of your loft bed.

- **Cleaning:** Wipe surfaces with a soft, damp cloth. Avoid harsh chemicals or abrasive cleaners that could damage the finish.
- **Hardware Check:** Periodically (e.g., every 3-6 months) inspect all bolts, screws, and connections. Retighten any loose hardware to ensure stability and safety.
- **Wood Care:** Protect the wood from extreme temperature changes and direct sunlight, which can cause warping or fading.
- **Avoid Moisture:** Do not allow liquids to sit on the wood surfaces for extended periods. Wipe spills immediately.

TROUBLESHOOTING

If you encounter any issues with your MhaRt Twin Loft Bed, refer to the following common solutions.

Problem	Possible Cause	Solution
Bed feels wobbly or unstable.	Loose hardware. Uneven floor.	Check and tighten all bolts and screws. Ensure the bed is on a level surface; use shims if necessary.
Squeaking noises.	Loose connections. Friction between parts.	Tighten all hardware. Apply a small amount of lubricant (e.g., paraffin wax) to contact points if friction is identified.
Difficulty assembling a part.	Incorrect orientation. Misaligned holes.	Review the assembly diagram carefully. Ensure parts are oriented correctly. Do not force components; if holes don't align, recheck previous steps.
Missing or damaged parts upon delivery.	Shipping error or damage.	Do not proceed with assembly. Contact MhaRt customer support immediately with your purchase details.

SPECIFICATIONS

Detailed specifications for the MhaRt Twin Loft Bed, Model xx-921.

- **Model:** xx-921
- **Brand:** MhaRt
- **Material:** Solid Rubber Wood, MDF
- **Size:** Twin
- **Color:** Gray
- **Number of Slats (Bed):** 15
- **Box Spring Required:** No

- **Weight Capacity (Upper Bed):** 350 lbs
- **Assembly Required:** Yes
- **Overall Bed Dimensions:** 76 inches (Length) x 42.4 inches (Width) x 68.9 inches (Total Height)
- **Recommended Mattress Thickness:** 6-8 inches (Mattress not included)
- **Number of Packages:** 2
- **Package 1 Dimensions/Weight:** 79.53 x 16.54 x 6.10 inches / 78.26 lbs
- **Package 2 Dimensions/Weight:** 46.85 x 21.06 x 6.30 inches / 72.75 lbs

SIZE:INCH

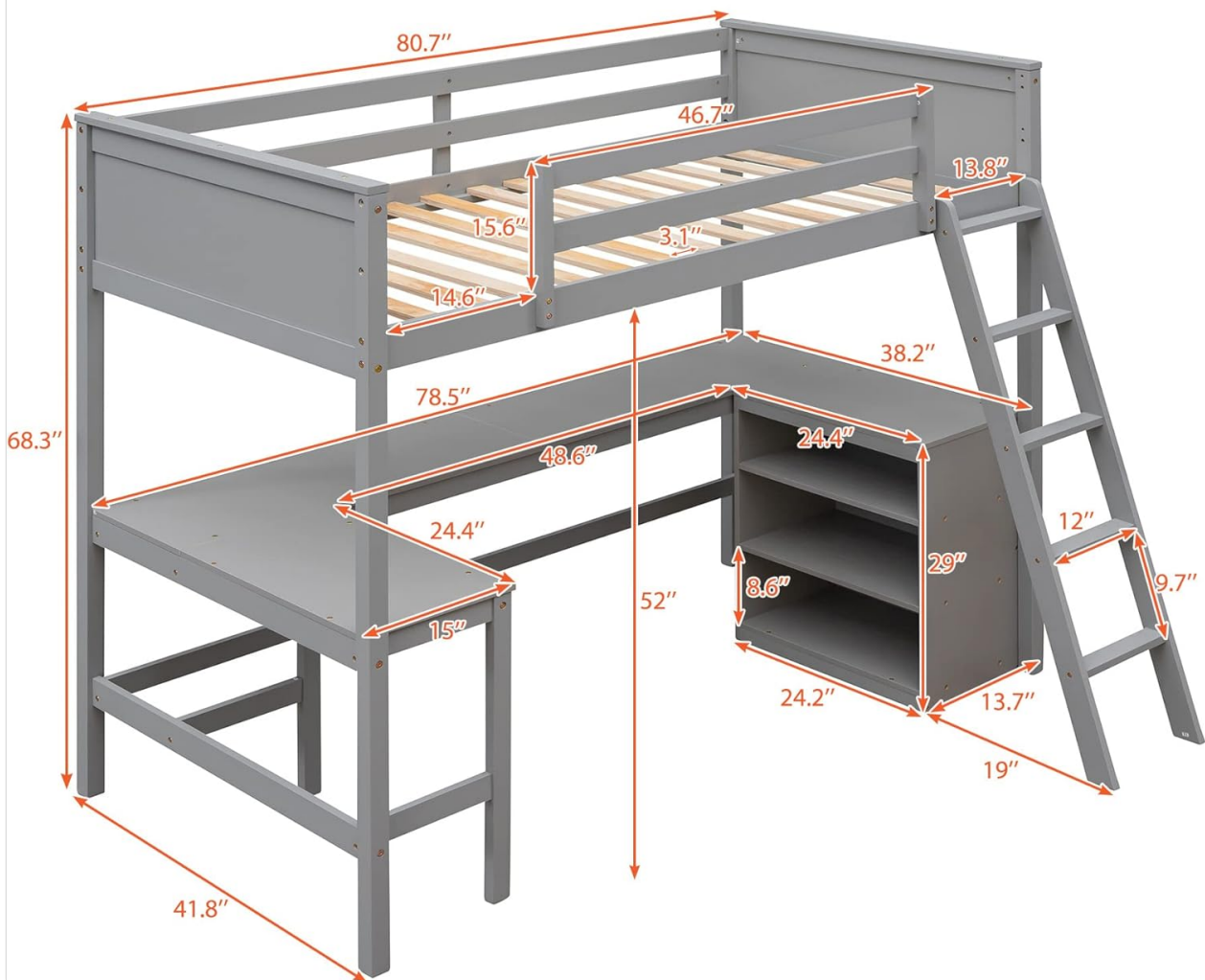


Image 3: Detailed dimensions diagram for the MhaRt Twin Loft Bed.

WARRANTY AND SUPPORT

For warranty information, specific return policies, or to report missing/damaged parts, please refer to your purchase documentation or contact the retailer directly. MhaRt is committed to customer satisfaction. If you require assistance with assembly or have questions regarding your product, please contact MhaRt customer support through the contact information provided at the point of purchase or on the official MhaRt website.

