

HEMNES

Generic HEMNES Bedside Table 46x35 cm User Manual

Model: HEMNES | Brand: Generic

1. INTRODUCTION

This manual provides comprehensive instructions for the assembly, operation, maintenance, and troubleshooting of your Generic HEMNES Bedside Table (46x35 cm, White Stain). Please read these instructions carefully before assembly and use to ensure safe and correct operation of the product. Keep this manual for future reference. The HEMNES bedside table features a smooth-running drawer with a pull-out stop, offering convenient storage for your personal items.

2. SAFETY INFORMATION

- Always follow the assembly instructions precisely. Incorrect assembly can lead to instability and potential injury.
- Do not overload the table or drawer. Refer to the specifications for weight limits.
- Place the bedside table on a level and stable surface to prevent tipping.
- For added safety, especially in homes with children, consider anchoring the furniture to the wall using appropriate hardware (not included).
- Keep small parts and assembly hardware out of reach of children during assembly.

3. PACKAGE CONTENTS

Before beginning assembly, ensure all parts are present and undamaged. If any parts are missing or damaged, contact your retailer for assistance.

- Tabletop
- Legs (4x)
- Shelf
- Drawer components (front, back, sides, bottom)
- Drawer knob
- Assembly hardware (screws, dowels, drawer runners)

Tools Recommended For Assembly: Screw Driver.

4. SETUP AND ASSEMBLY INSTRUCTIONS

Follow these steps carefully for proper assembly. It is recommended to assemble the table on a soft, clean surface to prevent scratches.

4.1 Unpacking and Preparation

1. Carefully unpack all components and lay them out on a protected surface.
2. Identify all parts against the package contents list.

4.2 Assembling the Frame

1. Attach the four legs to the tabletop using the provided screws. Ensure they are securely fastened.
2. Insert the shelf between the legs at the designated height, securing it with screws or dowels as indicated in the assembly diagram.

4.3 Assembling the Drawer

1. Connect the drawer sides, front, and back panels.
2. Slide the drawer bottom into the grooves.
3. Attach the drawer knob to the drawer front.
4. Install the drawer runners onto the drawer sides and the corresponding runners inside the table frame.

4.4 Finalizing Assembly

1. Carefully slide the assembled drawer into the table frame, ensuring it moves smoothly.
2. Check all screws and fasteners to ensure they are tight. Do not overtighten.

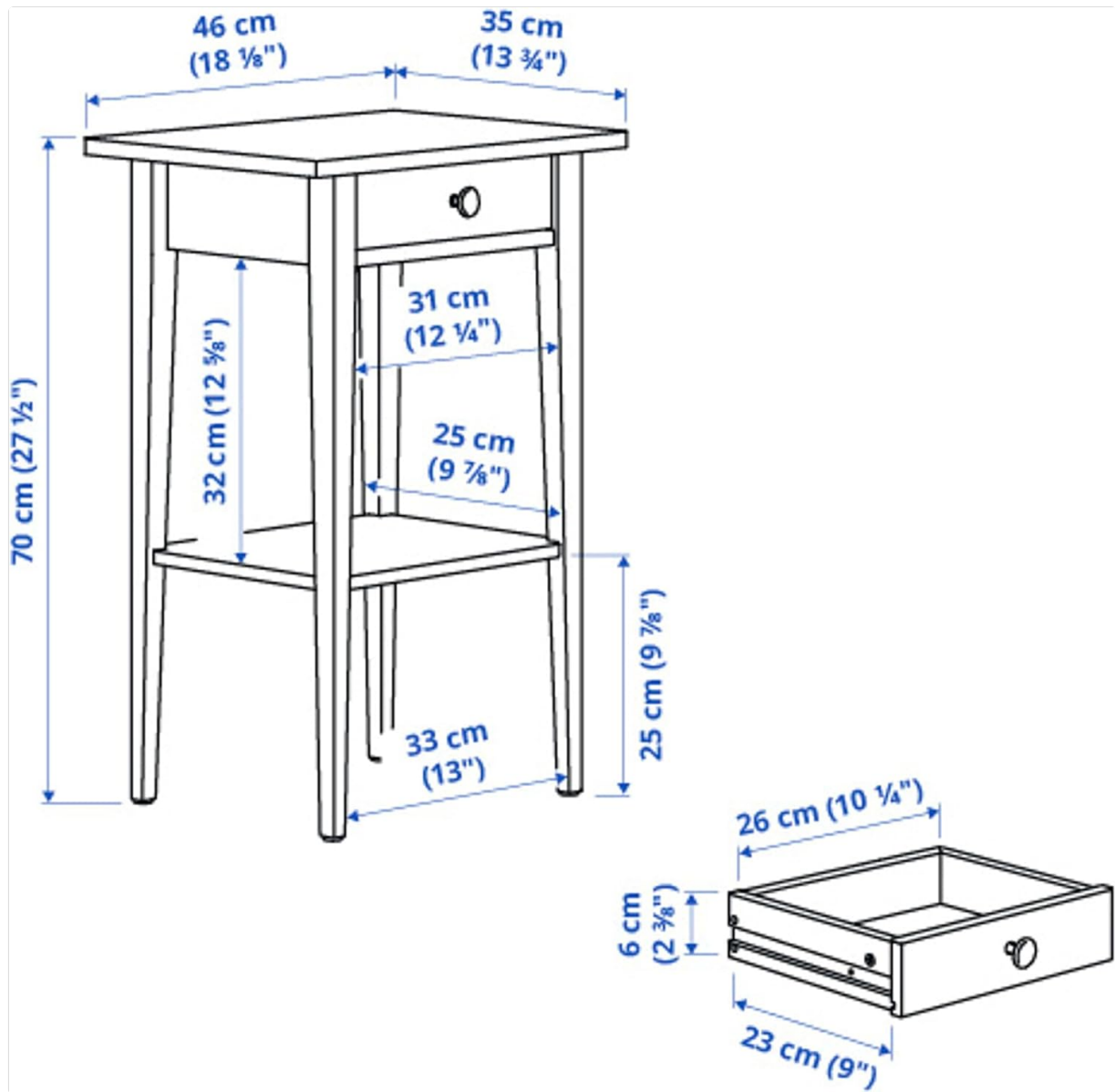


Figure 1: Dimensional diagram of the HEMNES bedside table, showing overall dimensions (46 cm width, 35 cm depth, 70 cm height) and internal measurements for the drawer and shelf. This diagram is essential for understanding the product's structure and assembly.



Figure 2: The fully assembled Generic HEMNES bedside table, showcasing its white stain finish, single drawer with a knob, and lower open shelf.

5. OPERATING INSTRUCTIONS

The HEMNES bedside table is designed for simple and functional use.

5.1 Using the Drawer

- To open the drawer, gently pull the knob outwards.
- To close the drawer, push it inwards until it is fully seated.
- The drawer is equipped with a pull-out stop to prevent it from being accidentally pulled out completely. Do not force the drawer past this stop.



Figure 3: The drawer of the HEMNES bedside table shown partially open, revealing its interior storage space. A smartphone and notebooks are placed inside, demonstrating its practical use for small personal items.

5.2 Using the Shelf

- The open shelf below the drawer provides additional storage for books, magazines, or decorative items.
- Ensure items placed on the shelf do not exceed its weight capacity or obstruct the drawer's operation.



Figure 4: The HEMNES bedside table positioned next to a bed in a bedroom environment. The lower shelf is utilized for storing books, and the tabletop holds an alarm clock and a cup, illustrating its functional use as a nightstand.

6. MAINTENANCE AND CARE

Proper care will help maintain the appearance and longevity of your bedside table.

- **Cleaning:** Wipe clean with a damp cloth and a mild cleaner. Dry immediately with a clean cloth.
- **Avoid Harsh Chemicals:** Do not use abrasive cleaners, strong solvents, or harsh chemicals, as these can damage the white stain finish.

- **Stain Resistance:** Please note that the item is **not stain resistant**. Promptly wipe up any spills to prevent permanent marks.
- **Fasteners:** Periodically check all assembly fasteners and re-tighten if necessary to ensure stability.
- **Sunlight Exposure:** Avoid prolonged exposure to direct sunlight, which can cause fading or discoloration of the wood finish.



Figure 5: A detailed close-up view of the white stained wood surface and corner joint of the HEMNES bedside table, highlighting the texture and finish of the material.

7. TROUBLESHOOTING

If you encounter any issues with your bedside table, refer to the following common problems and solutions:

- **Table is Wobbly:**
 - Ensure all screws and fasteners are securely tightened.
 - Check that the table is placed on a level surface.
- **Drawer is Sticking or Not Opening/Closing Smoothly:**
 - Verify that the drawer runners are correctly installed and aligned.
 - Check for any obstructions inside the drawer or along the runners.
 - Ensure the drawer is not overloaded.
- **Missing or Damaged Parts:**
 - Contact the retailer or manufacturer for replacement parts.

8. SPECIFICATIONS

Attribute	Detail
Brand	Generic
Model	HEMNES
Product Dimensions (W x D x H)	46 cm (18.11") x 35 cm (13.78") x 70 cm (27.56")
Drawer Depth (inside)	23 cm (9")
Free Height Under Furniture	25 cm (9.84")
Color	White
Furniture Finish	Stained
Frame Material Type	Wood
Top Material Type	Wood
Number of Drawers	1
Is Stain Resistant?	No
Tools Recommended For Assembly	Screw Driver

9. WARRANTY AND SUPPORT

This product is manufactured by ProTuning under the Generic brand. For any warranty claims, missing parts, or support inquiries, please contact your original retailer or the manufacturer directly. Please retain your proof of purchase for any warranty-related requests.