



## PLATSA/SMÅSTAD

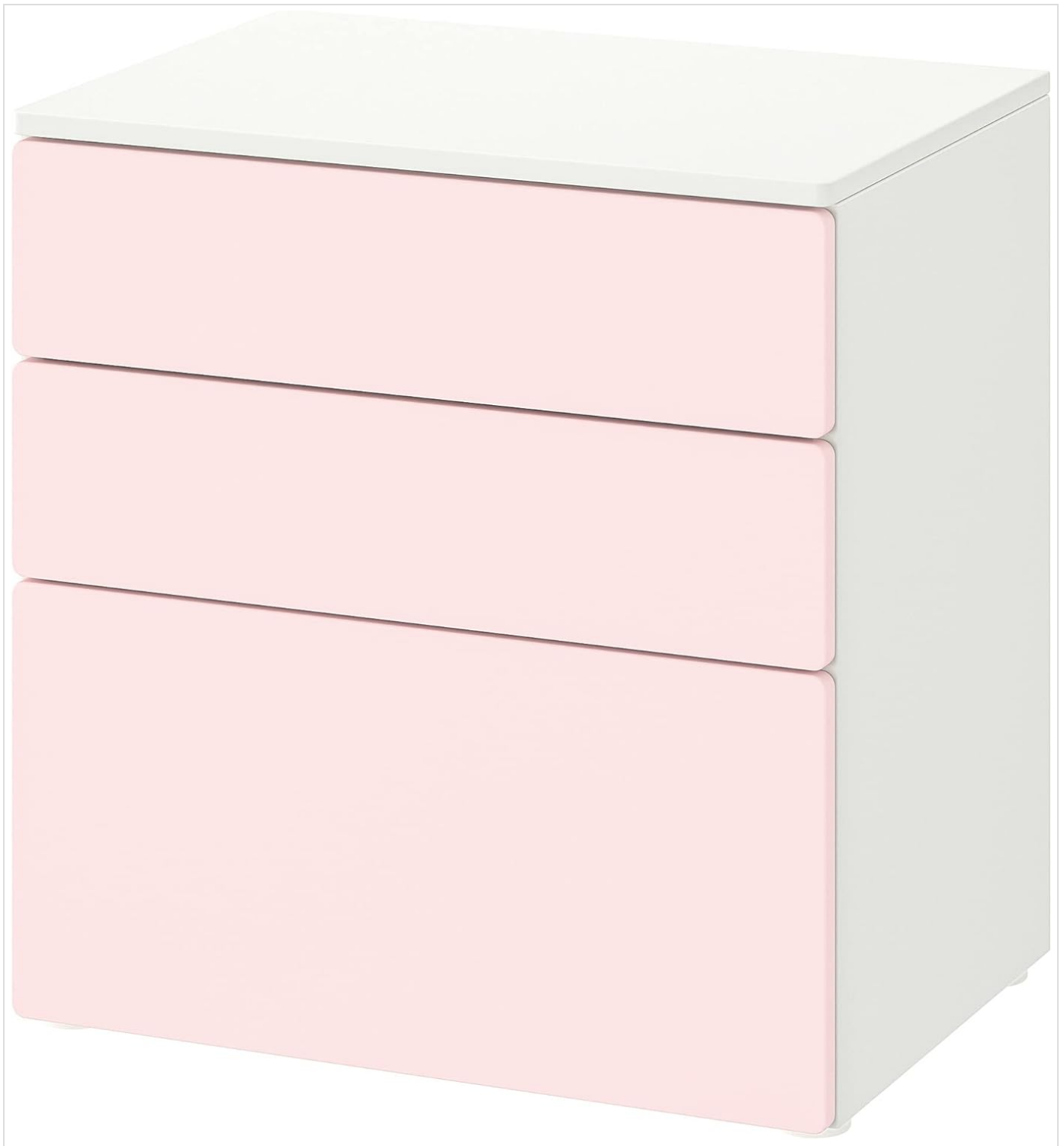
# PLATSA/SMÅSTAD Chest of 3 Drawers User Manual

Model: PLATSA/SMÅSTAD | Brand: Generic

## PRODUCT OVERVIEW

---

The PLATSA/SMÅSTAD chest of 3 drawers is designed to provide ample storage in a compact footprint. Its versatile design makes it suitable for various rooms, offering practical organization solutions.



Front view of the PLATSA/SMÅSTAD chest of 3 drawers in white and pale pink, showcasing its clean design and color combination.

## KEY FEATURES

---

- Compact design for efficient use of floor space.
- Three spacious drawers for organized storage.
- Durable construction for long-lasting use.
- White frame with pale pink drawer fronts.



The PLATSA/SMÅSTAD chest of drawers integrated into a child's room setting, showcasing its compact design and storage capacity.

## SETUP & ASSEMBLY

This product requires assembly. Please ensure all components are present before beginning. Follow the detailed assembly instructions provided with your purchase. It is recommended to assemble the unit on a soft, clean surface to prevent scratches.



The PLATSA/SMÅSTAD chest of drawers positioned under a desk in a study area, demonstrating its versatility as a storage solution.



The PLATSA/SMÅSTAD chest of drawers with its drawers partially open, revealing the internal storage space and design.

## OPERATING INSTRUCTIONS

To open a drawer, gently pull the drawer front outwards. To close, push the drawer front inwards until it is fully seated. Avoid forcing the drawers, and ensure they are closed completely to prevent dust accumulation and maintain a tidy appearance.

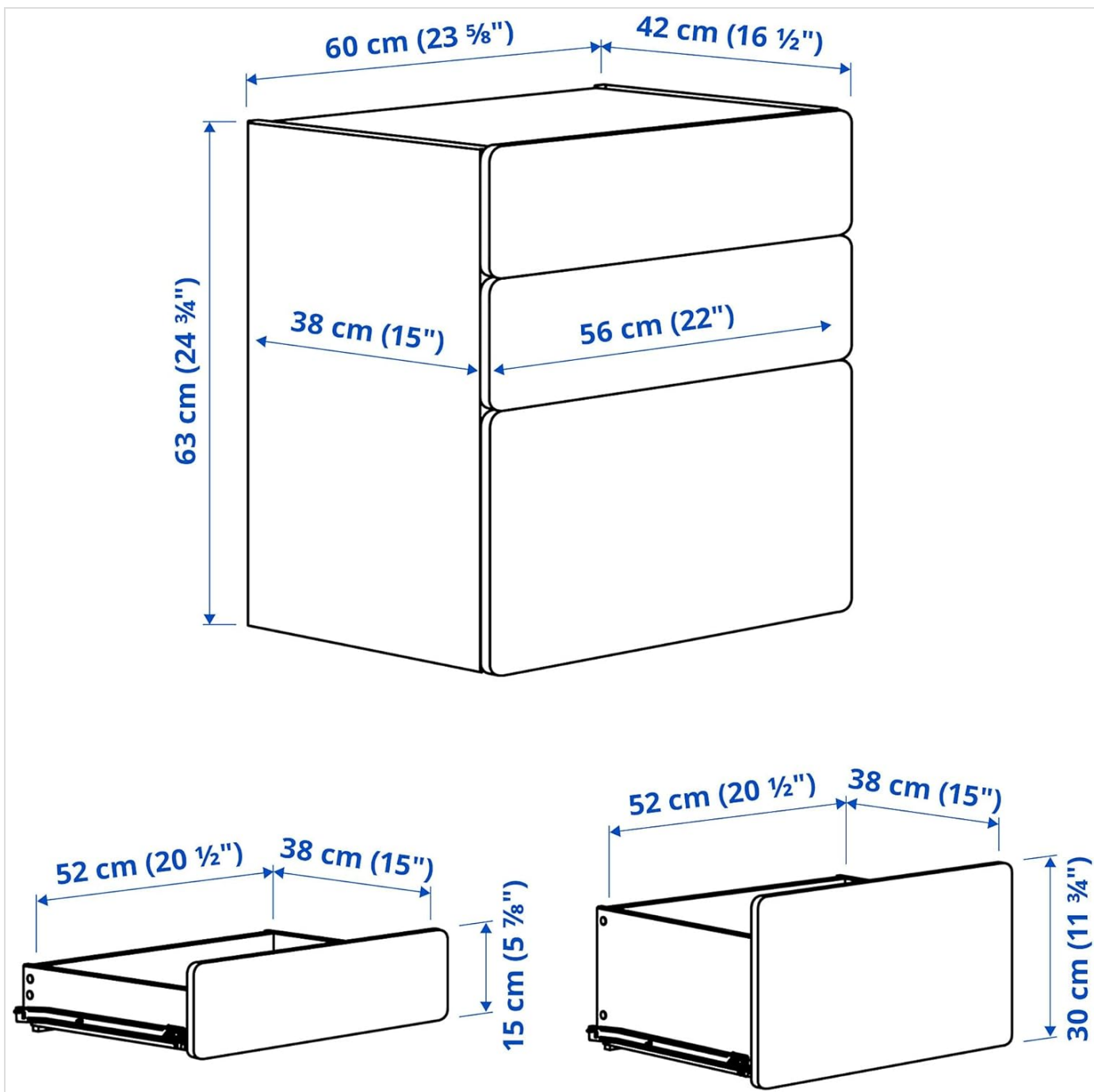


A close-up view of the interior of a drawer, showing items neatly organized within, highlighting the storage potential.

## MAINTENANCE & CARE

To keep your chest of drawers in optimal condition, wipe it clean with a dry cloth. For stubborn marks, a slightly damp cloth can be used, followed immediately by a dry cloth. Avoid using abrasive cleaners, harsh chemicals, or excessive moisture, as these can damage the finish.

Periodically check all screws and fittings to ensure they remain tight. Re-tighten if necessary to maintain stability and safety.



A close-up image of the pale pink drawer front, showing the smooth finish and rounded edges.

## TROUBLESHOOTING

### Drawer not sliding smoothly?

Check for any obstructions in the drawer runners or on the floor beneath the drawer. Ensure the runners are clean and free of debris. Verify that the drawer and frame are assembled correctly and all screws securing the runners are tightened.

### Unit wobbles or is unstable?

Ensure the chest of drawers is placed on a flat, level surface. Check all assembly screws and fittings to confirm they are securely tightened. If the floor is uneven, consider using furniture pads or shims under the base to stabilize the unit.

## SPECIFICATIONS

Attribute	Detail
Brand	Generic
Model	PLATSA/SMÅSTAD
Product Dimensions (D x W x H)	42 cm x 60 cm x 63 cm (16.54"D x 23.62"W x 24.8"H)
Number of Drawers	3
Color	White, Pink
Assembly Required	Yes
Product Care Instructions	Wipe with Dry Cloth



Technical diagram illustrating the overall dimensions of the chest of drawers (60 cm width, 42 cm depth, 63 cm height) and individual drawer dimensions.

## WARRANTY & SUPPORT

---

For information regarding product warranty, please refer to the documentation included with your purchase or contact the retailer. For technical support or assistance with assembly, please reach out to the manufacturer, Generic.

You can also find more details and support on the product's Amazon page [PLATSA/SMÅSTAD Chest of 3 Drawers](#)