



IK.490.274.23

MALM Bed Frame with 4 Storage Boxes User Manual

Model: IK.490.274.23

INTRODUCTION

This manual provides comprehensive instructions for the assembly, operation, maintenance, and troubleshooting of your MALM bed frame with 4 storage boxes. Designed for comfort and practicality, this bed frame features ample storage space neatly hidden under the bed, perfect for duvets, pillows, and bed linen. Please read this manual carefully before assembly and use to ensure safe and correct operation.

SAFETY INFORMATION

Important Safety Warning: To prevent injury and ensure structural integrity, do not load the bed frame with more than 285 kilograms (approximately 628 pounds) of weight. Exceeding this limit may compromise the bed frame's stability and lead to damage or injury.

SETUP AND ASSEMBLY

Assembly of the MALM bed frame requires two people. Ensure all components are present before beginning. Refer to the included hardware pack for fasteners and tools.

Components Overview

The bed frame consists of the headboard, footboard, side rails, center support beam, slatted bed base (Luröy), and four under-bed storage boxes.



Figure 1: The MALM bed frame with one of its four storage drawers partially extended, showcasing the integrated storage solution.

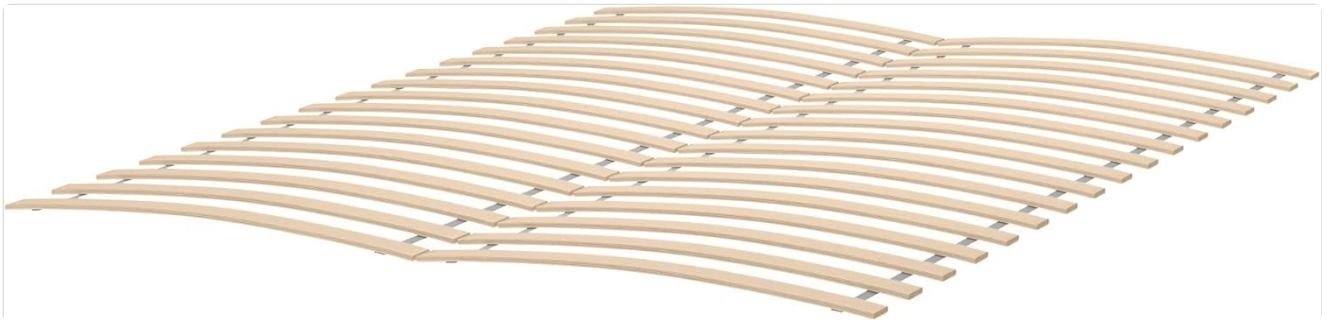


Figure 2: The Luröy slatted bed base, providing flexible support for your mattress. This component is crucial for mattress ventilation and comfort.

Assembly Steps

1. **Headboard and Footboard Assembly:** Attach the side rails to the headboard and footboard using the provided hardware. Ensure all connections are secure and flush.
2. **Center Support Beam Installation:** Install the center support beam along the length of the bed frame. This beam provides crucial support for the slatted bed base and mattress.
3. **Slatted Bed Base Placement:** Unroll and place the Luröy slatted bed base onto the side rails and center support beam. Secure it according to the instructions to prevent shifting.
4. **Storage Box Assembly:** Each storage box requires individual assembly. Attach the sides, bottom, and front panel. Install the wheels onto the bottom of each box.
5. **Drawer Insertion:** Once assembled, slide the storage boxes into the designated spaces under the bed frame.

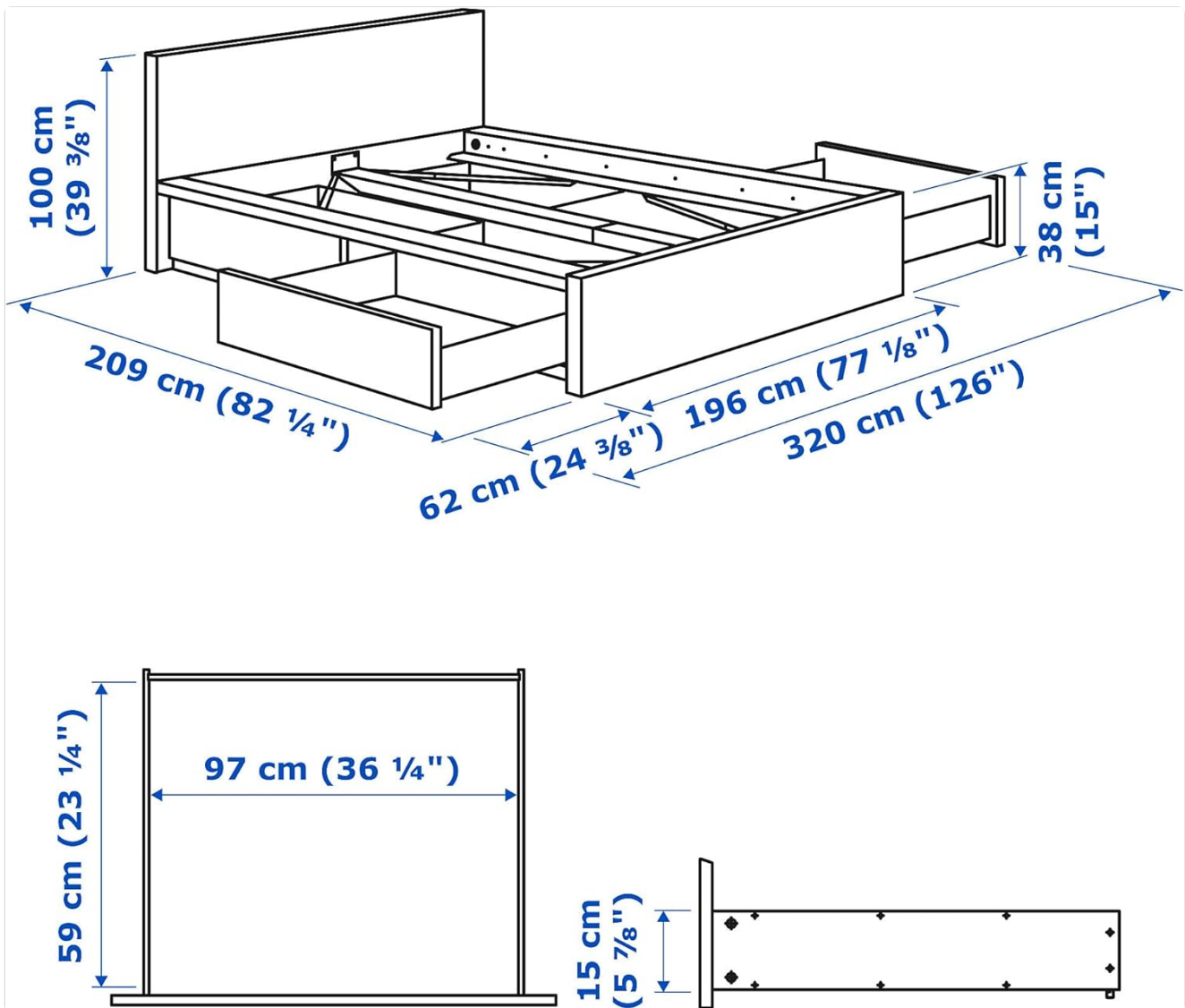


Figure 3: Detailed dimensional drawing of the MALM bed frame and its storage boxes, showing overall length, width, and height, as well as internal drawer dimensions. This diagram is essential for planning your space and understanding the product's footprint.

OPERATING INSTRUCTIONS

Using the Storage Boxes

The MALM bed frame is equipped with four spacious storage boxes on wheels, two on each side. These boxes are designed for easy access and discreet storage.

- To open a storage box, gently pull the front panel outwards. The wheels allow for smooth gliding on most floor surfaces.
- To close, push the box back into its compartment until it is flush with the bed frame.
- The boxes are ideal for storing bedding, seasonal clothing, books, or other items you wish to keep out of sight.



Figure 4: An open storage drawer revealing its capacity, filled with folded textiles. The smooth-gliding wheels are visible at the bottom.



Figure 5: A close-up view of the storage drawer's front panel and one of its integrated wheels, highlighting the mechanism for easy movement.

MAINTENANCE AND CARE

Proper care will extend the life and appearance of your MALM bed frame.

- **Cleaning:** Wipe the bed frame and storage boxes with a damp cloth and a mild cleaner. Dry immediately with a clean cloth. Avoid abrasive cleaners or harsh chemicals.
- **Dusting:** Regularly dust the surfaces with a soft, dry cloth.
- **Hardware Check:** Periodically check all assembly hardware (screws, bolts) and tighten if necessary to maintain stability.
- **Slatted Base:** Ensure the slatted bed base remains properly seated on its supports.

TROUBLESHOOTING

Problem	Possible Cause	Solution
Bed frame feels wobbly or unstable.	Loose assembly hardware.	Check and tighten all screws and bolts, especially those connecting the side rails to the headboard and footboard.
Storage drawers are difficult to open/close.	Obstruction, damaged wheels, or uneven floor.	Check for items blocking the drawer's path. Inspect wheels for damage and ensure they rotate freely. Verify the bed frame is on a level surface.
Squeaking noises from the bed.	Loose connections, friction between components, or slatted base issues.	Tighten all hardware. Ensure the slatted base is correctly positioned and not rubbing against the frame. Apply a small amount of silicone spray to contact points if necessary (avoiding wood surfaces).

SPECIFICATIONS

Feature	Detail
Model Number	IK.490.274.23
Brand	Generic
Colour	White stained oak veneer
Material	Oak Wood
Special Feature	Integrated Storage (4 drawers)
Assembled Length	209 cm (82 ¼ inches)
Assembled Width	196 cm (77 ½ inches)
Headboard Height	100 cm (39 ¾ inches)
Footboard Height	38 cm (15 inches)
Mattress Length Compatibility	200 cm
Mattress Width Compatibility	180 cm
Drawer (inside) Width	97 cm (36 ¼ inches)
Drawer (inside) Depth	59 cm (23 ¼ inches)
Drawer (inside) Height	15 cm (5 ⅞ inches)
Maximum Weight Recommendation	285 Kilograms (628 pounds)

WARRANTY INFORMATION

Specific warranty details for the MALM bed frame are not provided in the product information. Please refer to your purchase receipt or contact the retailer directly for warranty terms and conditions.

CUSTOMER SUPPORT

For further assistance, missing parts, or complex troubleshooting not covered in this manual, please contact the retailer or manufacturer where you purchased the product. Please have your model number (IK.490.274.23) and purchase details ready when contacting support.