



[Manuals.plus](#) /

> [Aoodor](#) /

> Aoodor 12 x 16 ft Outdoor Pergola with Retractable Shade Canopy User Manual

## Aoodor 12x16 ft Retractable Shade Pergola (B0D1C5CRS3)

# Aoodor 12 x 16 ft Outdoor Pergola with Retractable Shade Canopy User Manual

Model: 12x16 ft Retractable Shade Pergola (B0D1C5CRS3)

## INTRODUCTION

---

This manual provides essential information for the safe assembly, operation, and maintenance of your Aoodor 12 x 16 ft Outdoor Pergola with Retractable Shade Canopy. Please read these instructions thoroughly before beginning assembly and retain this manual for future reference. Proper installation and care will ensure the longevity and optimal performance of your pergola.



*Image: The Aoodor 12x16 ft pergola installed in an outdoor patio area, showcasing its retractable shade canopy.*

## SAFETY INFORMATION

---

Adhering to these safety guidelines is crucial for preventing injury and damage to the product.

- **Anchoring:** Always ensure the pergola is properly anchored to the ground to prevent it from tipping over in windy conditions. Use appropriate anchoring hardware for your specific installation surface.
- **Weather Conditions:** Do not use the pergola in high winds or during severe weather conditions. Retract the canopy and secure any roller shades during strong winds, heavy rain, or snow to prevent damage.
- **Assembly:** Assembly requires at least two adults. Follow all instructions carefully. Do not overtighten fasteners during initial assembly; tighten fully only when instructed.
- **Inspection:** Regularly inspect all components for wear, damage, or loose connections. Replace damaged parts immediately.
- **Clearance:** Ensure adequate clearance around the pergola for safe operation of the retractable canopy and roller shades.

## PARTS LIST

---

Before beginning assembly, verify that all parts listed in the packaging are present and undamaged. All components are typically labeled with letters for easy identification. Refer to the included assembly diagram for a visual representation of each part.

*Note: A complete list of parts with corresponding labels will be found in your product's physical assembly guide.*



*Image: Product dimensions diagram, illustrating the overall size and key measurements of the pergola structure.*

## ASSEMBLY INSTRUCTIONS

---

Assembly typically requires two people and can be completed in approximately 2 hours. Follow the step-by-step instructions provided in your product packaging. Ensure you have all necessary tools before starting.

### General Assembly Steps:

1. **Unpack and Identify Parts:** Carefully unpack all components and lay them out. Match each part to the corresponding label in the parts list.

2. **Assemble the Frame:** Begin by connecting the main support beams and posts. Do not fully tighten bolts until the entire frame is loosely assembled.
3. **Install Crossbeams:** Attach the crossbeams to the main frame, ensuring they are correctly oriented for the canopy mechanism.
4. **Attach Canopy Rails:** Secure the rails for the retractable canopy.
5. **Install Retractable Canopy:** Carefully slide the canopy fabric onto its designated tracks. Ensure the pulley system operates smoothly.
6. **Install Roller Shades:** Attach the two roller shade curtains to the side posts as per the instructions.
7. **Final Tightening:** Once all components are in place and aligned, systematically tighten all bolts and fasteners.
8. **Anchoring:** Securely anchor the pergola to your patio, deck, or backyard surface using appropriate hardware.

Your browser does not support the video tag.

*Video: An official product video demonstrating the assembly and features of the Aoodor Pergola with Retractable Canopy.*

## Unique Crisscross Trellis Design

- Improve overall frame stability
- Add elegant style



## Sturdy and Durable Aluminum Frame

- Powder-coated for water-resistant
- Rust-resistant and fade-resistant

*Image: A close-up view of the sturdy aluminum frame connection, highlighting the robust construction.*

## OPERATING INSTRUCTIONS

---

### Retractable Shade Canopy:

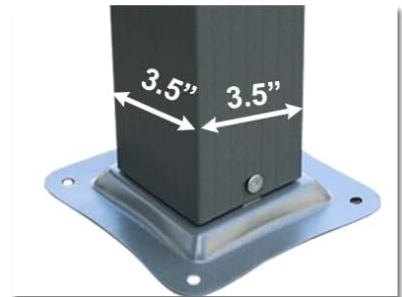
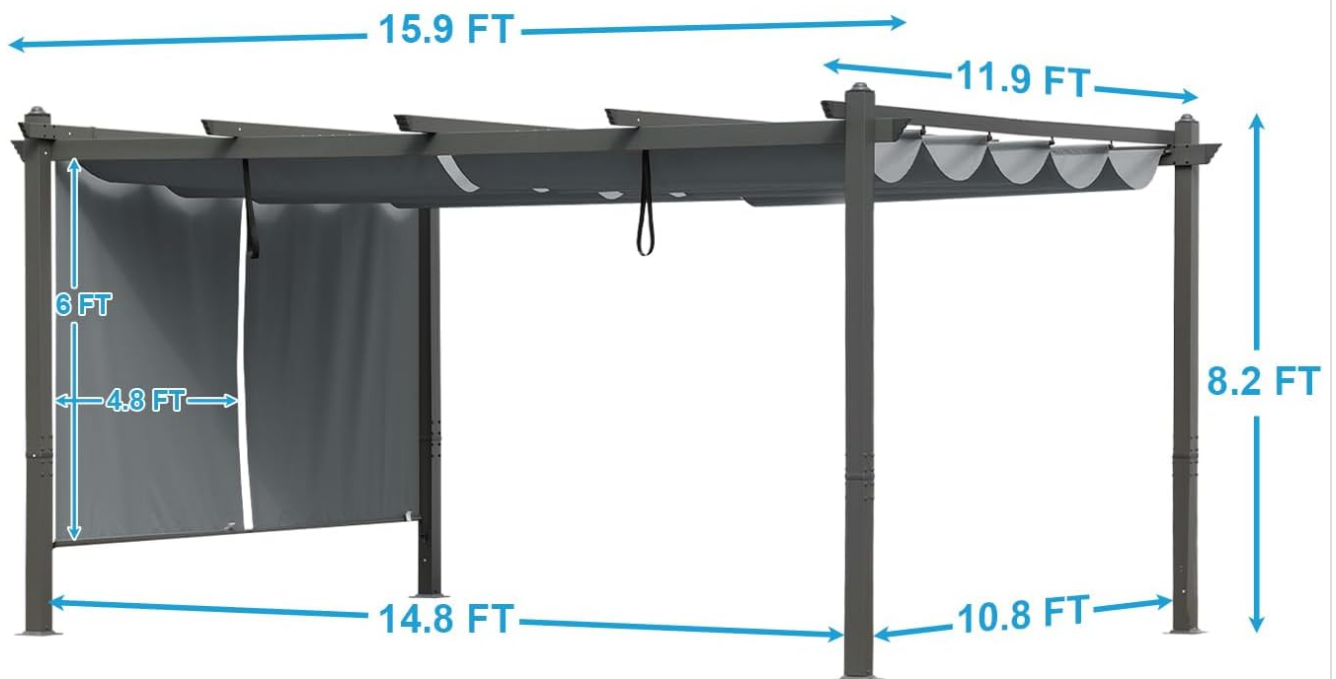
The pergola features an easily adjustable canopy for optimal shade. To adjust:

- **Extend Canopy:** Gently pull the rope or handle attached to the canopy to extend it across the pergola frame. Guide the canopy along its tracks.
- **Retract Canopy:** Pull the rope or handle in the opposite direction to retract the canopy. The canopy can be partially or fully retracted.
- **Locking System:** The canopy is secured in place with a locking system. Ensure it is engaged to prevent unwanted movement, especially in light breezes.



*Image: Detail of the adjustable sun shade cover, demonstrating its flexible positioning.*

# PRODUCT DIMENSIONS



*Image: Close-up of the retractable canopy mechanism, illustrating how it slides along the frame.*

## Roller Shade Curtains:

The two roller shade curtains provide additional side shade and privacy. To operate:

- **Lower Curtains:** Gently pull down the bottom bar of the roller curtain to extend it.
- **Raise Curtains:** Guide the curtain back up to retract it.
- **Secure Curtains:** Use the provided locking system or ties to keep the rolling curtain in the desired position.

# The Elaborate Design



*Image: The pergola with its roller shade curtains extended, providing additional side coverage.*

## MAINTENANCE

Regular maintenance will extend the life and appearance of your pergola.

- **Cleaning the Frame:** Clean the aluminum frame with a mild soap and water solution. Rinse thoroughly and dry with a soft cloth. Avoid abrasive cleaners or harsh chemicals.
- **Cleaning the Fabric:** The polyester fabric canopy and roller shades are UV and fade resistant. Clean with a soft brush and mild soap solution. Rinse thoroughly and allow to air dry completely before retracting or storing.
- **Seasonal Care:** In areas with heavy snow or extreme weather, it is recommended to remove the canopy and roller shades for storage during the off-season to prevent damage.
- **Fastener Check:** Periodically check all bolts and fasteners to ensure they remain tight.
- **Anchoring Check:** Verify that the pergola remains securely anchored to the ground, especially after strong winds.

## TROUBLESHOOTING

This section addresses common issues you might encounter.

Problem	Possible Cause	Solution
Canopy does not retract/extend smoothly.	Tracks are dirty or obstructed; rope/pulley system is tangled or damaged.	Clean tracks of debris. Check rope and pulley for tangles or wear. Lubricate tracks if necessary with a silicone-based spray.
Pergola feels unstable or wobbly.	Not properly anchored; fasteners are loose.	Ensure all anchoring points are secure. Tighten all frame bolts. Consider additional anchoring methods if in a windy area.
Water pooling on canopy.	Canopy not fully extended or angled correctly; heavy rainfall.	Ensure canopy is fully extended and taut. The fabric is coated for waterproof performance, but heavy pooling should be avoided. Retract canopy during heavy rain.
Roller shades do not stay in position.	Locking mechanism is not engaged or is faulty.	Ensure the locking system is correctly engaged. Inspect the mechanism for damage.

## SPECIFICATIONS

Feature	Detail
<b>Brand</b>	Aoodor
<b>Model</b>	12x16 ft Retractable Shade Pergola (B0D1C5CRS3)
<b>Material</b>	Aluminum frame, Polyester fabric canopy and curtains
<b>Color</b>	Matte Dark Gray frame, Gray canopy/curtains
<b>Product Dimensions (L x W x H)</b>	190.8"L x 142.8"W x 98.4"H (approximately 15.9 ft x 11.9 ft x 8.2 ft)
<b>Water Resistance Level</b>	Water Resistant (PA coated fabric)
<b>UV Protection</b>	Yes (UV and fade resistant fabric)
<b>Assembly Required</b>	Yes

# Stable Anchoring Stand

4 pre-drilled holes on the stand can enhance stability and firmness



*Image: Detail of the stable anchoring stand with pre-drilled holes for enhanced stability.*

## WARRANTY AND SUPPORT

For warranty information, replacement parts, or technical support, please contact Aoodor customer service directly. Refer to your purchase documentation or the Aoodor official website for contact details.

**Website:** [Aoodor Store on Amazon](#)