

[Manuals.plus](#) /

› [REPTI ZOO](#) /

› REPTI ZOO 68 Gallon Reptile Enclosure User Manual (48x18x18 inch)

REPTI ZOO Reptile Tank

REPTI ZOO 68 Gallon Reptile Enclosure User Manual

Model: Reptile Tank (48x18x18 inch)



The REPTI ZOO 68 Gallon Reptile Enclosure, measuring 48x18x18 inches, provides a spacious and secure habitat for various reptiles.

Introduction	Safety Information	Package Contents	Setup & Assembly	Operation	Maintenance
	Troubleshooting	Specifications	Warranty & Support		

1. INTRODUCTION

This manual provides detailed instructions for the assembly, operation, and maintenance of your REPTI ZOO 68 Gallon Reptile Enclosure. This enclosure is designed for tropical and desert reptiles requiring specific humidity and temperature conditions, such as bearded dragons, leopard geckos, chameleons, lizards, snakes, ball pythons, and turtles.

Key features include:

- **Superior Insulation:** Wooden construction offers better temperature regulation than traditional glass tanks.
- **Optimal Ventilation:** Removable mesh screen top ensures ample airflow and allows full-spectrum, UVB, and IR light penetration.
- **Natural Aesthetic:** Wood grain texture and eco-friendly materials provide a naturalistic and safe environment.
- **Secure Access:** Detachable tempered glass sliding doors with safety locks prevent escapes and facilitate easy cleaning and feeding.
- **Lightweight Design:** Constructed from lightweight wood for easier handling and placement.



Image: Overview of the REPTI ZOO Wooden Reptile Tank, emphasizing its key features.

2. SAFETY INFORMATION

- Always assemble the enclosure on a flat, stable surface.
- Ensure all screws and fasteners are securely tightened before placing any animals inside.
- Do not overtighten screws, as this may damage the wood panels.
- Keep small parts away from children and pets during assembly.
- Verify that the sliding doors are properly locked to prevent reptile escape.
- Avoid using harsh chemicals for cleaning, as they can be harmful to reptiles.

- Position the enclosure away from direct sunlight or heat sources that could cause overheating.
- Regularly inspect the enclosure for any signs of wear or damage.

3. PACKAGE CONTENTS

Before beginning assembly, please ensure all components are present and undamaged. Refer to the exploded view diagram for identification.

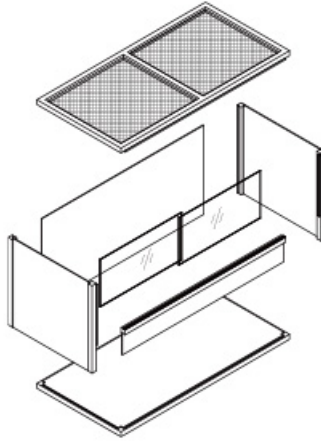


Image: Exploded view of enclosure components.

- Base Panel (1)
- Side Panels (2)
- Back Panel (1)
- Top Mesh Screen Panels (2)
- Front Glass Sliding Doors (2)
- Door Lock with Keys (1 set)
- Assembly Hardware (screws, connectors)
- Instruction Manual (this document)

4. SETUP & ASSEMBLY

Follow these steps to assemble your REPTI ZOO reptile enclosure. It is recommended to have a second person assist with assembly.

1. **Prepare the Base:** Place the base panel on a clean, flat, and stable surface.
2. **Attach Side Panels:** Secure the two side panels to the base using the provided screws. Ensure they are aligned correctly.
3. **Install Back Panel:** Slide the back panel into the grooves of the side panels and secure it to the base and side panels with screws.
4. **Place Top Mesh Screens:** Carefully place the two mesh screen panels onto the top frame of the enclosure. These panels are removable for easy access and ventilation.
5. **Insert Sliding Doors:** Gently slide the tempered glass doors into the front tracks. Ensure they move smoothly.
6. **Install Door Lock:** Attach the safety lock to the sliding doors as shown in the diagram below. Test the lock to ensure it functions correctly and prevents the doors from opening.



Image: Detail of the sliding door lock mechanism.

After assembly, double-check all connections for stability and security. The enclosure is now ready for substrate, decor, and your reptile.

5. OPERATION

5.1 Temperature and Humidity Control

The wooden construction of this enclosure provides excellent insulation, aiding in stable temperature maintenance. The top mesh screen allows for optimal airflow and heat dissipation, crucial for preventing mold and bacteria growth, while also facilitating the penetration of full-spectrum, UVB, and IR lighting.



BETTER INSULATION THAN GLASS TANK

Image: Illustration of the enclosure's superior insulation properties.

**GOOD BREATHABILITY, REDUCING
THE GROWTH OF MOLD AND BACTERIA**



Image: Illustration of the enclosure's breathability and ventilation.

ALLOWING FULL SPECTRUM, UVB & IR LIGHT PENETRATION



Image: Illustration of light penetration through the mesh top.

5.2 Access and Security

The front sliding glass doors provide convenient access for feeding, cleaning, and interacting with your reptile. Always ensure the doors are securely closed and locked using the provided key to prevent accidental escapes.

6. MAINTENANCE

6.1 Cleaning

- Regularly remove waste and soiled substrate.
- Wipe down glass surfaces with a reptile-safe glass cleaner or warm water.
- For wooden surfaces, use a damp cloth with mild, non-toxic soap if necessary, and dry thoroughly to prevent moisture damage.
- The mesh screen top can be removed for cleaning. Use a soft brush to remove debris.
- Periodically disinfect the entire enclosure with a reptile-safe disinfectant, following product instructions.

6.2 General Care

- Inspect the enclosure for any loose screws or damaged panels and address them promptly.
- Ensure the door lock mechanism is clean and operating smoothly.
- Avoid placing heavy objects on the top mesh screen.

7. TROUBLESHOOTING

Problem	Possible Cause	Solution
Doors do not slide smoothly or fall out.	Tracks may be obstructed, or the top screen frame might be misaligned/warped.	Clean tracks of debris. Inspect the top screen frame for proper seating and alignment. If a component is warped, contact customer support for assistance.
Enclosure feels unstable after assembly.	Screws not fully tightened or panels not properly seated.	Review assembly steps and ensure all screws are tightened. Check that panels are fully inserted into their respective grooves.
Difficulty maintaining desired temperature/humidity.	Improper heating/misting equipment, or external environmental factors.	Ensure appropriate heating and humidity devices are used for your reptile's needs. Monitor ambient room temperature. The enclosure's design provides good insulation and ventilation, but external factors are critical.

8. SPECIFICATIONS

Feature	Detail
Model Name	Reptile Tank
Brand	REPTI ZOO
Dimensions (L x W x H)	48 x 18 x 18 inches (121.92 x 45.72 x 45.72 cm)
Tank Volume	68 Gallons (approx. 257.4 liters)
Material	Wood, Tempered Glass, Metal Mesh
Item Weight	36 pounds (approx. 16.3 kg)
Color	Black
Target Species	Bearded dragons, leopard geckos, chameleons, lizards, snakes, ball pythons, turtles, frogs, toads, etc.

68
Gallon

PRODUCT SIZE

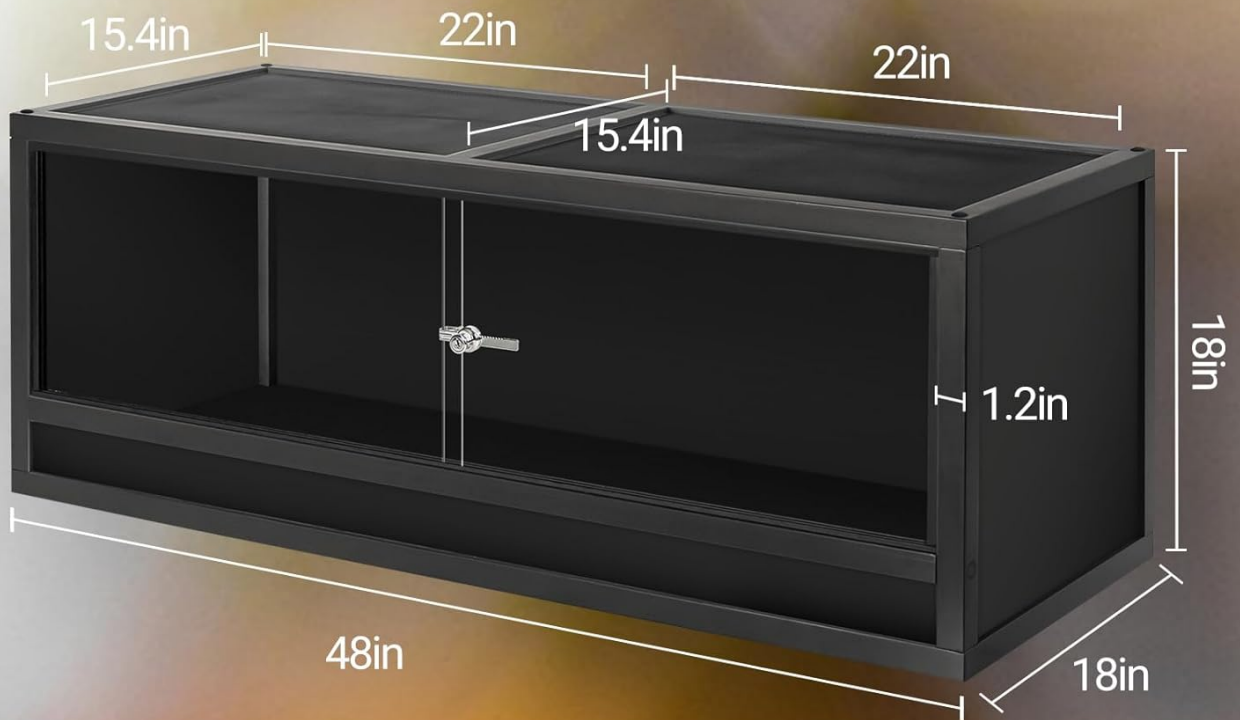


Image: Detailed product dimensions for the 68 Gallon model.

MULTIPLE SIZES FOR YOU CHOOSE

Please note: Determine the required size before purchase

50
GALLON



36x18x18 inch

120
GALLON



48x24x24inch

68
GALLON



48x18x18 inch

Image: Available sizes of REPTI ZOO reptile enclosures.

9. WARRANTY & SUPPORT

9.1 Warranty Information

This REPTI ZOO product comes with a **90-day warranty** from the date of purchase. This warranty covers manufacturing defects and material flaws under normal use. It does not cover damage resulting from misuse, accidental damage, unauthorized modifications, or normal wear and tear.

Please retain your proof of purchase for warranty claims.

9.2 Customer Support

For any questions, concerns, or assistance with your REPTI ZOO reptile enclosure, please contact our customer support team. You can typically find contact information on the REPTI ZOO official website or through your retailer. For more information and products, visit the [REPTI ZOO Store on Amazon](#).