

## Akicon AK1480NL-ORB

# Akicon AK1480NL-ORB Bathroom Exhaust Fan with Dimmable 3CCT LED Light

Instruction Manual

## 1. IMPORTANT SAFETY INFORMATION

---

Please read and understand all instructions before attempting to install, operate, or maintain this product. Failure to follow the instructions could result in electric shock, fire, property damage, or personal injury.

- **WARNING:** To reduce the risk of fire, electric shock, or injury to persons, observe the following:
- Use this unit only in the manner intended by the manufacturer. If you have questions, contact the manufacturer.
- Before servicing or cleaning unit, switch power off at service panel and lock the service disconnecting means to prevent power from being switched on accidentally. When the service disconnecting means cannot be locked, securely fasten a prominent warning device, such as a tag, to the service panel.
- Installation work and electrical wiring must be done by qualified person(s) in accordance with all applicable codes and standards, including fire-rated construction codes and standards.
- Sufficient air is needed for proper combustion and exhausting of gases through the flue (chimney) of fuel burning equipment to prevent back-drafting. Follow the heating equipment manufacturer's guideline and safety standards such as those published by the National Fire Protection Association (NFPA), and the American Society for Heating, Refrigeration and Air Conditioning Engineers (ASHRAE), and the local code authorities.
- When cutting or drilling into wall or ceiling, do not damage electrical wiring and other hidden utilities.
- Ducted fans must always be vented to the outdoors.
- This unit must be grounded.

## 2. PRODUCT OVERVIEW

---

The Akicon AK1480NL-ORB is a high-performance bathroom exhaust fan designed to effectively remove moisture and odors from spaces up to 80 square feet. It features a powerful yet quiet 80 CFM fan with a low noise level of 2.0 Sones. The integrated LED light panel offers energy-efficient illumination with three adjustable color temperature settings (3000K, 4000K, 5500K) and dimmable functionality. Its durable construction includes a coated galvanized

steel housing and a premium copper ball bearing motor, ensuring long-lasting performance.



Image: Akicon AK1480NL-ORB Bathroom Exhaust Fan with Light, Oil Rubbed Bronze finish.

### 3. FEATURES

---

- **Powerful and Quiet Airflow:** Provides 80 CFM ventilation with a low noise level of 2.0 Sones, suitable for bathrooms up to 80 sq. ft.
- **Premium Quality Construction:** Features a coated galvanized steel housing and a durable copper ball bearing motor for extended lifespan and corrosion resistance.
- **Energy-Efficient Dimmable 3CCT LED Light:** Integrated LED panel offers adjustable brightness and three color temperature options (3000K Warm White, 4000K Natural White, 5500K Cool White) for versatile lighting.
- **Sleek Modern Design:** The bath fan with an acrylic light shade complements various bathroom styles, offering both functionality and aesthetic appeal. The acrylic cover is lightweight and resistant to breakage.
- **Easy Installation:** Designed for straightforward installation or replacement in ceilings, suitable for DIY enthusiasts without requiring attic access.

# POWERFUL SUCTION

Excellent Copper Ball-Bearing Motor



Image: Illustration highlighting the powerful suction and excellent copper ball-bearing motor of the exhaust fan.

## 3 ADJUSTABLE COLOR TEMPERATURE



Image: Visual representation of the three adjustable color temperatures (3000K, 4000K, 5500K) available for the integrated LED light.

## 4. SETUP AND INSTALLATION

This section provides general guidelines for installing your Akicon exhaust fan. Always refer to local electrical codes and consult a qualified electrician if you are unsure about any steps.

### 4.1 Pre-Installation Checklist

- Ensure power is disconnected at the circuit breaker before starting any work.
- Verify that the ceiling opening size is appropriate for the fan housing. Recommended ceiling opening size: 8.5" x 8.31".
- Confirm that the soffit/attic height is greater than 6-11/16" for proper clearance.
- Gather necessary tools: screwdriver, wire strippers, drill, measuring tape, safety glasses, gloves.

### 4.2 Installation Steps

1. **Prepare the Opening:** Cut a hole in the ceiling according to the specified dimensions (8.5" x 8.31").

2. **Mount the Housing:** Secure the fan housing to the ceiling joists using appropriate fasteners. The housing dimensions are 8.12" x 8.37" x 5.75".
3. **Connect Ductwork:** Attach the appropriate ducting (typically 4-inch round) to the fan's exhaust collar and vent it to the outdoors. Ensure a tight seal to prevent air leakage.
4. **Electrical Wiring:** Connect the electrical wiring according to the wiring diagram provided in the full manual and local electrical codes. Ensure all connections are secure and properly insulated. This unit requires 120 Volts AC power.
5. **Attach Light Panel and Grille:** Once wiring is complete, connect the LED light panel and secure the acrylic light cover/grille to the fan housing.

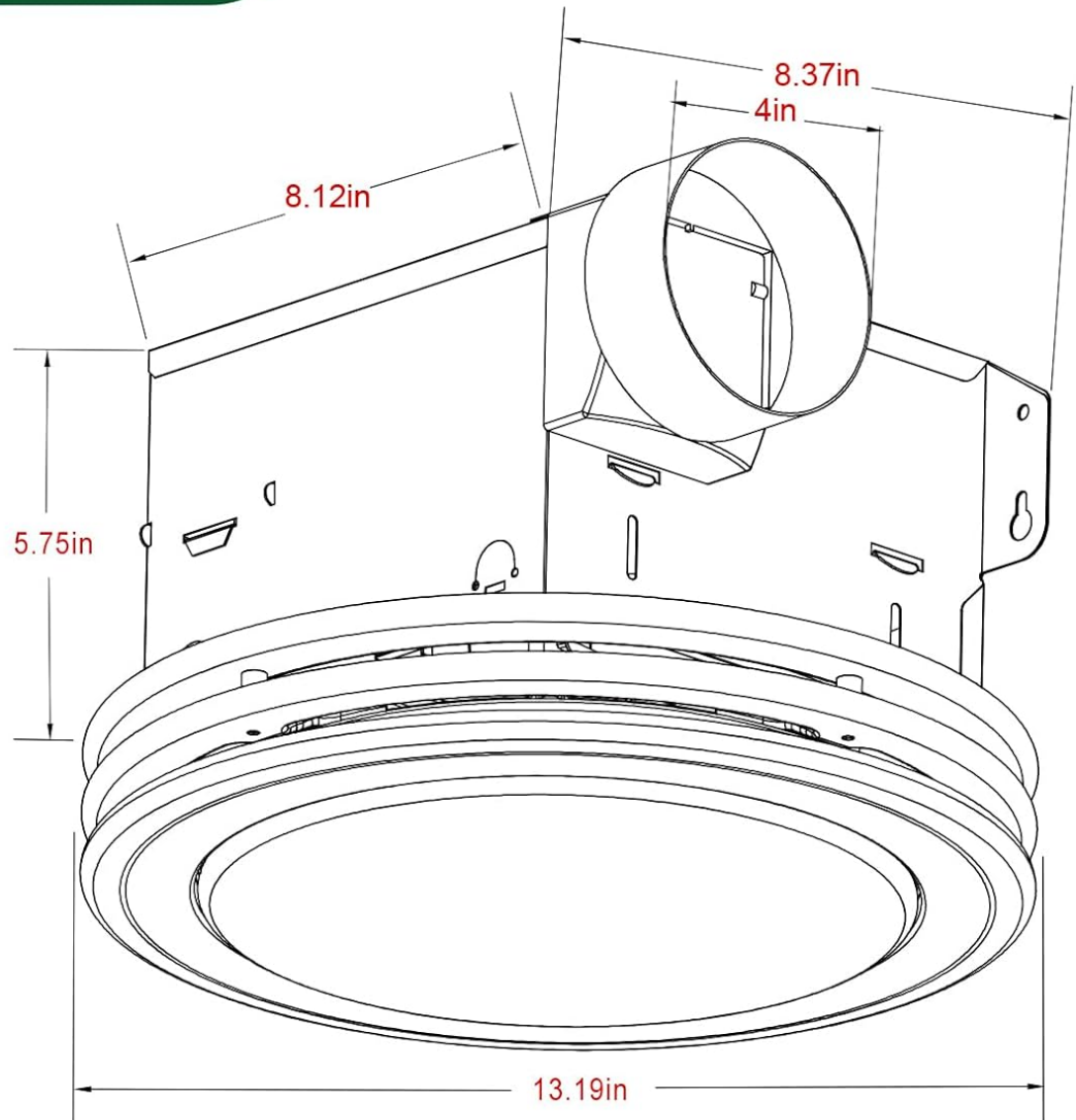
## EASY INSTALLATION



**Soffit/Attic Height >6-11/16"**

**\*BEFORE PURCHASING,**  
Make sure your soffit or attic have  
enough space for install!!

Image: Visual guide demonstrating the easy installation process of the Akicon exhaust fan in a laundry room ceiling, highlighting the required ceiling opening and soffit/attic height.



**Housing Dimension: 8.12" x 8.37" x 5.75"**

**Light Cover Diameter:  $\Phi$ 13.19**

**Ceiling Opening Size: 8.5" x 8.31"**

Image: Detailed diagram showing the housing dimensions (8.12" x 8.37" x 5.75"), light cover diameter ( $\Phi$ 13.19"), and recommended ceiling opening size (8.5" x 8.31") for the Akicon exhaust fan.

Your browser does not support the video tag.

Video: An official Akicon video demonstrating the unboxing and installation process for the Akicon Bathroom Exhaust Fan with Light (OH1480NL-ORB).

## 5. OPERATING INSTRUCTIONS

The Akicon AK1480NL-ORB exhaust fan is designed for simple operation, providing both ventilation and adjustable lighting.

## 5.1 Fan Operation

The exhaust fan is controlled via a standard wall switch (not included). Flipping the switch will activate the fan, providing 80 CFM of airflow to remove moisture and odors from your bathroom.

## 5.2 LED Light Operation

The integrated LED light panel features dimmable functionality and three color temperature settings (3000K, 4000K, 5500K). These functions are typically controlled by a compatible dimmer switch (sold separately) or by cycling the power switch quickly to change color temperature.

- **Changing Color Temperature:** If using a standard switch, quickly toggle the light switch OFF and ON to cycle through the 3000K, 4000K, and 5500K settings. The light will remember the last setting when turned off for more than 10 seconds.
- **Dimming:** If connected to a compatible dimmer switch, use the dimmer control to adjust the light brightness.

## 6. MAINTENANCE

---

Regular maintenance ensures optimal performance and longevity of your exhaust fan.

### 6.1 Cleaning the Grille and Light Cover

1. **Disconnect Power:** Always turn off the power to the fan at the circuit breaker before cleaning.
2. **Remove Grille:** Carefully pull down the grille and detach it from the fan housing.
3. **Clean:** Wash the grille and acrylic light cover with a mild detergent and warm water. Rinse thoroughly and dry completely before reattaching.
4. **Reattach Grille:** Securely reattach the clean grille and light cover to the fan housing.

### 6.2 Cleaning the Fan Motor and Housing

Periodically, the fan motor and interior of the housing may accumulate dust. This should be cleaned by a qualified technician or with extreme caution.

- **Disconnect Power:** Ensure power is OFF.
- **Access Fan Interior:** After removing the grille, you may need to remove additional components to access the fan blades and motor.
- **Clean:** Use a soft brush or vacuum cleaner with a brush attachment to gently remove dust from the fan blades, motor, and interior surfaces. Do not use water or liquid cleaners directly on electrical components.
- **Reassemble:** Reassemble all components and reattach the grille. Restore power.

## 7. TROUBLESHOOTING

---

If your Akicon exhaust fan is not operating correctly, refer to the following common issues and solutions:

Problem	Possible Cause	Solution
Fan does not operate	No power supply Loose wiring connection Motor malfunction	Check circuit breaker and wall switch Verify all electrical connections are secure (consult electrician) Contact customer support for motor replacement

Problem	Possible Cause	Solution
Light does not turn on	No power supply to light Loose wiring connection LED panel malfunction	Check circuit breaker and wall switch Verify light wiring connections Contact customer support for LED panel replacement
Excessive noise during operation	Loose mounting Ductwork obstruction Fan blade imbalance or debris Motor bearing issue	Ensure fan housing is securely mounted Check ductwork for blockages or kinks Clean fan blades and check for damage Contact customer support
Poor ventilation performance	Ductwork obstruction Improper duct size Fan blades dirty	Check ductwork for blockages Ensure correct duct size (4-inch round) is used Clean fan blades

If troubleshooting steps do not resolve the issue, please contact Akicon customer support.

## 8. SPECIFICATIONS

Feature	Specification
Brand	Akicon
Model Name	Bathroom Exhaust Fan with Light
Model Number	AK1480NL-ORB
Color	Oil Rubbed Bronze
Air Flow Capacity	80 CFM (Cubic Feet Per Minute)
Noise Level	2.0 Sones
Wattage	35.7 watts
Voltage	120 Volts
Product Dimensions (D x W x H)	13.2" x 13.2" x 9"
Housing Dimensions (D x W x H)	8.12" x 8.37" x 5.75"
Light Cover Diameter	Φ13.19"
Ceiling Opening Size	8.5" x 8.31"
Room Type	Bathroom
Mounting Type	Ceiling Mount
Light Type	LED (Dimmable 3CCT: 3000K/4000K/5500K)
Material	Metal (Coated Galvanized Steel Housing)
Control Method	Button Control (Wall Switch)

Feature	Specification
Certification	cUL
Item Weight	8.16 Pounds

## 9. WARRANTY AND SUPPORT

---

Akicon offers a **3-year warranty** for this household ventilation fan. This warranty covers defects in materials and workmanship under normal use and service. Please retain your proof of purchase for warranty claims.

For technical assistance, troubleshooting, or warranty inquiries, please contact Akicon customer support through their official website or the retailer where the product was purchased.

**Online Resources:** For additional information and support, visit the [Akicon Store on Amazon](#).