



[Manuals.plus](#) /

> [vidaXL](#) /

> vidaXL Retractable Side Awning Sun Shade Privacy Screen 4004808 User Manual

vidaXL 4004808

vidaXL Retractable Side Awning Sun Shade Privacy Screen User Manual

Model: 4004808

1. INTRODUCTION

Thank you for choosing the vidaXL Retractable Side Awning Sun Shade Privacy Screen. This manual provides essential information for the safe assembly, operation, and maintenance of your product. Please read these instructions carefully before installation and retain them for future reference.



Image 1: The vidaXL Retractable Side Awning providing privacy on a patio.

2. SAFETY INFORMATION

To ensure safe use and prevent injury or damage, please observe the following safety guidelines:

- Always follow the assembly instructions precisely. Incorrect assembly can lead to instability and potential hazards.
- Ensure all mounting hardware is securely fastened to a stable and appropriate surface.
- Do not use the awning in strong winds or severe weather conditions. Retract the awning fully to prevent damage.
- Keep children and pets away from the awning during operation to avoid entanglement or injury.
- Regularly inspect the awning for any signs of wear, damage, or loose parts. Discontinue use if damage is found and contact customer support.
- This product is designed for privacy and sun shade. Do not use it for purposes other than its intended use.

3. PACKAGE CONTENTS

Before beginning assembly, verify that all components listed below are present and undamaged:

- Retractable Awning Unit (Fabric and Main Post)
- Receiving Post
- Mounting Accessories (screws, anchors, brackets)
- Instruction Manual (this document)

If any parts are missing or damaged, please contact vidaXL customer service before proceeding.

4. ASSEMBLY INSTRUCTIONS

Assembly requires basic tools (not included) such as a drill, screwdriver, and measuring tape. It is recommended that two people perform the installation.

4.1. Determine Placement and Dimensions

Choose a suitable location for your awning, ensuring sufficient space for full extension. Refer to the dimension diagram for planning.

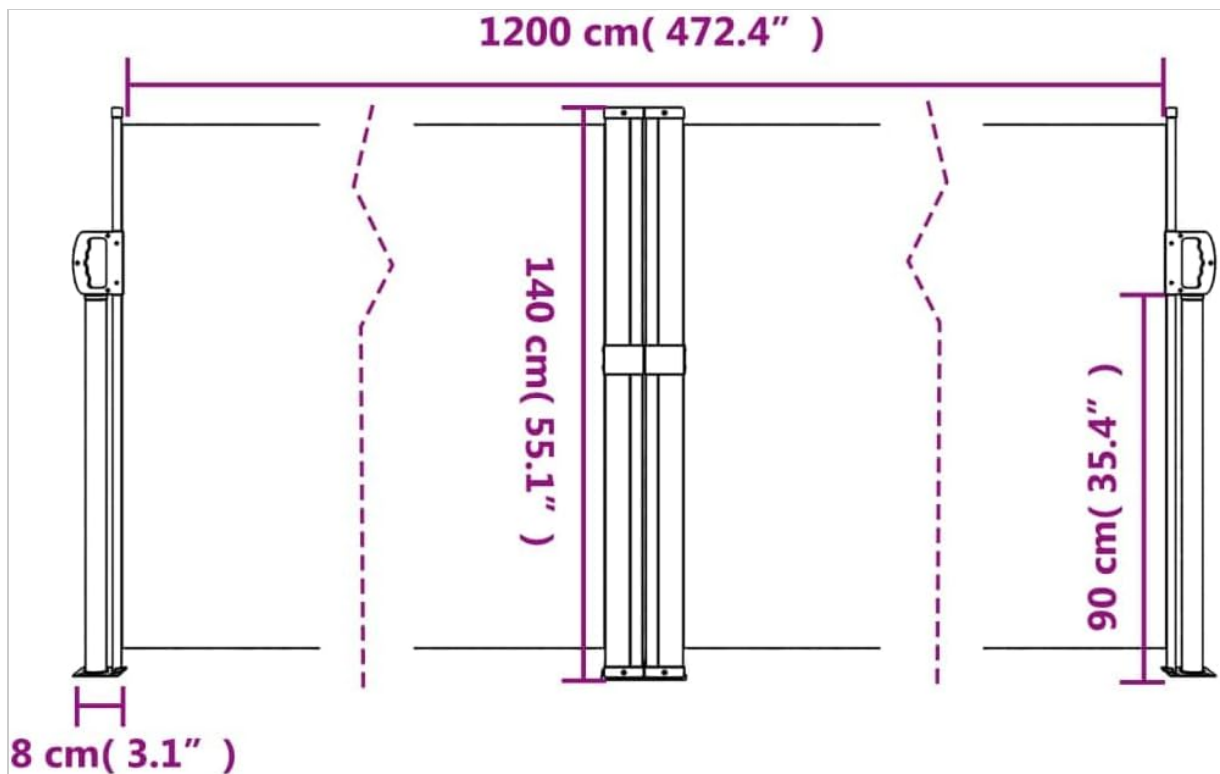


Image 2: Detailed dimension diagram of the awning, showing height and maximum extension.

4.2. Mount the Main Post

1. Position the main post (containing the rolled-up awning fabric) against a sturdy wall or vertical surface.
2. Mark the drilling points for the mounting brackets. Ensure the post is level and plumb.
3. Drill pilot holes and secure the main post using the provided screws and anchors suitable for your wall type.

4.3. Mount the Receiving Post

1. Measure the desired extension distance from the main post. The maximum extension for this model is 472.4 inches (1200 cm).

2. Mark the position for the receiving post on the ground. This post will hold the awning when extended.
3. Secure the base of the receiving post to the ground using the appropriate mounting hardware. Ensure it is aligned with the main post.



Image 3: Side view of the awning in its retracted position, showing the main post.

5. OPERATING INSTRUCTIONS

The vidaXL Retractable Side Awning is designed for easy manual operation.

5.1. Extending the Awning

1. Grasp the handle located on the leading edge of the awning fabric.
2. Gently pull the handle horizontally away from the main post, extending the fabric.
3. Guide the handle towards the receiving post.
4. Insert the handle into the slot or hook on the receiving post to secure the awning in the extended position. Ensure it is firmly locked.

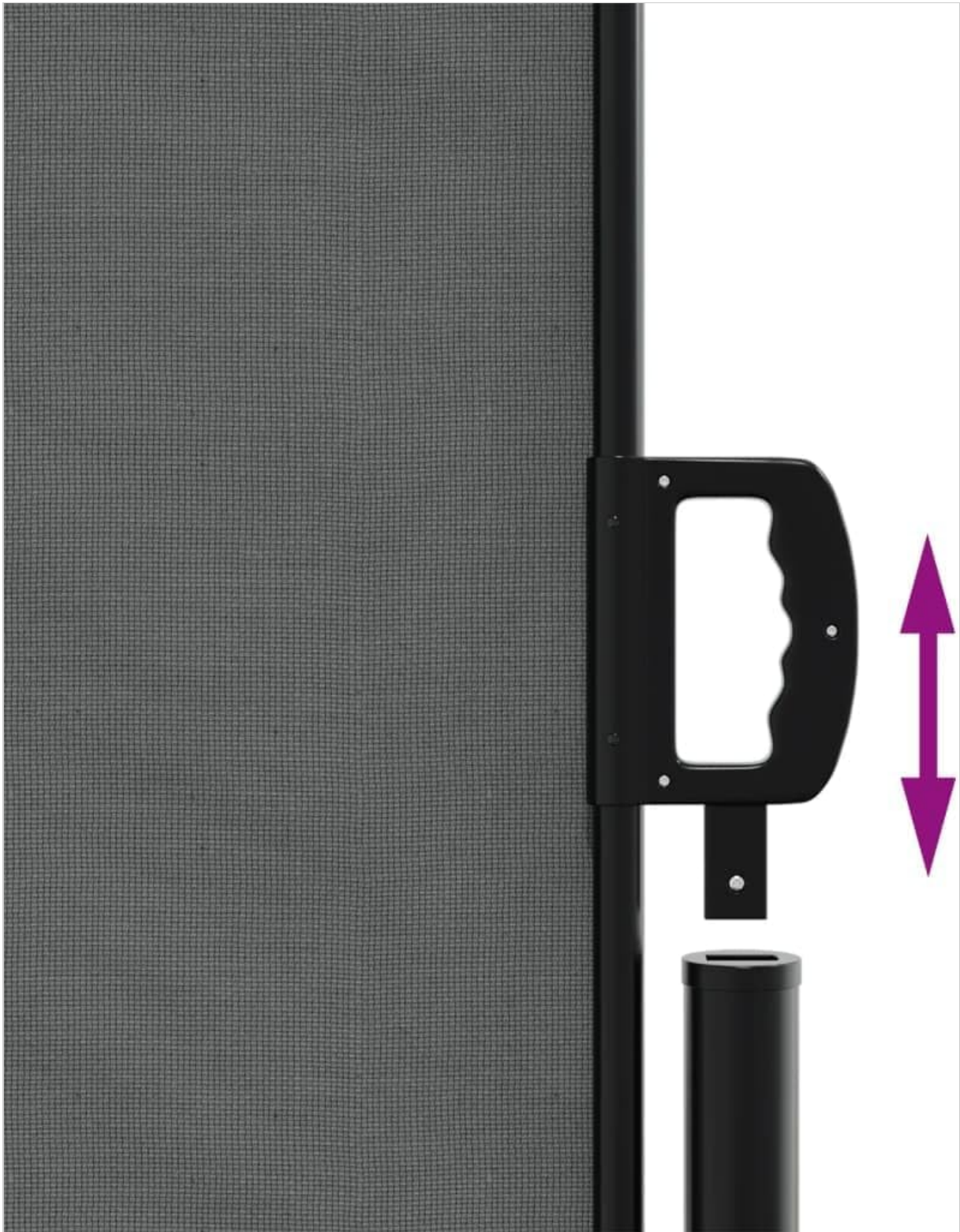


Image 4: Close-up view of the ergonomic handle used to extend and retract the awning.

5.2. Retracting the Awning

1. Release the handle from the receiving post.
2. Slowly guide the handle back towards the main post. The spring mechanism will gently retract the fabric.
3. Ensure the fabric rolls smoothly back into the main post without creasing or snagging.



Image 5: Side view of the awning fully extended, providing privacy and shade.

6. MAINTENANCE

Proper maintenance will extend the lifespan of your awning.

- **Cleaning the Fabric:** Use a soft brush or cloth with mild soap and water to clean the polyester fabric. Rinse thoroughly with clean water and allow it to air dry completely before retracting. Do not use harsh chemicals or abrasive cleaners.
- **Frame Care:** Wipe the aluminum frame with a damp cloth to remove dirt and dust. Avoid scratching the finish.

- **Winter Storage:** If possible, retract the awning and store it in a dry, sheltered location during winter months or periods of prolonged disuse to protect it from extreme weather.
- **Regular Inspection:** Periodically check all screws and connections to ensure they remain tight. Inspect the fabric for tears or excessive wear.

7. TROUBLESHOOTING

If you encounter issues with your awning, consider the following common solutions:

- **Awning not retracting smoothly:** Check for any obstructions in the track or fabric. Ensure the spring mechanism is not damaged. Clean the fabric if it is dirty or sticky.
- **Awning not staying extended:** Verify that the handle is securely engaged with the receiving post. Check if the receiving post is firmly anchored.
- **Awning appears loose or wobbly:** Re-check all mounting screws on both the main and receiving posts. Ensure they are tightened properly.

For persistent issues, please contact vidaXL customer support.

8. SPECIFICATIONS

Brand	vidaXL
Model Number	4004808
Material	Aluminum (Frame), Polyester with PU Coating (Fabric)
Color	Anthracite
Dimensions (Extended)	55.1" H x 472.4" W (140 cm H x 1200 cm W)
Item Weight	15.15 kg (33.4 lbs)
Operation Mode	Manual
Assembly Required	Yes

9. WARRANTY AND SUPPORT

For warranty information, product support, or to order replacement parts, please visit the official vidaXL website or contact their customer service department. Keep your purchase receipt as proof of purchase.

vidaXL Official Website: www.vidaxl.com