

vidaXL 3214697

vidaXL Bathroom Furniture Set Instruction Manual

Model: 3214697

Brand: vidaXL

1. INTRODUCTION

Thank you for choosing the vidaXL Bathroom Furniture Set. This 3-piece set includes a wall-mounted mirror cabinet, a sink cabinet, and a tall storage unit, designed to enhance your bathroom with both style and functionality. Constructed from durable engineered wood with a smoked oak finish and a powder-coated steel frame, this set is built to withstand the bathroom environment. Please read this manual carefully before assembly and use to ensure proper installation and longevity of your furniture.

Safety Information

- Keep all small parts and packaging materials away from children.
- Ensure all connections are securely tightened before use.
- Do not overload shelves or cabinets.
- Always use appropriate tools for assembly.
- Wall mounting hardware must be suitable for your wall type. Consult a professional if unsure.

2. PACKAGE CONTENTS

Before beginning assembly, please verify that all components listed below are present and undamaged. If any parts are missing or damaged, contact customer support.

- Mirror Cabinet (1 unit)
- Sink Cabinet (1 unit)
- Tall Storage Unit (1 unit)
- Assembly Hardware Kit (screws, dowels, brackets, adjustable feet)
- Instruction Manual



Image: Overview of the three furniture units included in the set.

3. ASSEMBLY INSTRUCTIONS

Follow these steps carefully for proper assembly. It is recommended to assemble the units on a soft, clean surface to prevent scratches.

3.1. Unpacking and Part Identification

1. Carefully remove all components from the packaging.
2. Lay out all wooden panels and metal frames.
3. Identify all hardware components using the provided hardware list (not included in this text, refer to

physical manual).

3.2. Assembling the Units

Each unit (mirror cabinet, sink cabinet, tall unit) follows a similar assembly principle involving attaching wooden panels to the metal frame using screws and dowels. Ensure all screws are tightened firmly but do not overtighten.



Image: Example of cabinet interiors with doors open, showing shelves.

3.3. Attaching Adjustable Feet

The sink cabinet and tall storage unit are equipped with adjustable feet. Screw these into the designated holes at the bottom of the metal frames. Adjust them to ensure the unit is level on uneven floors.

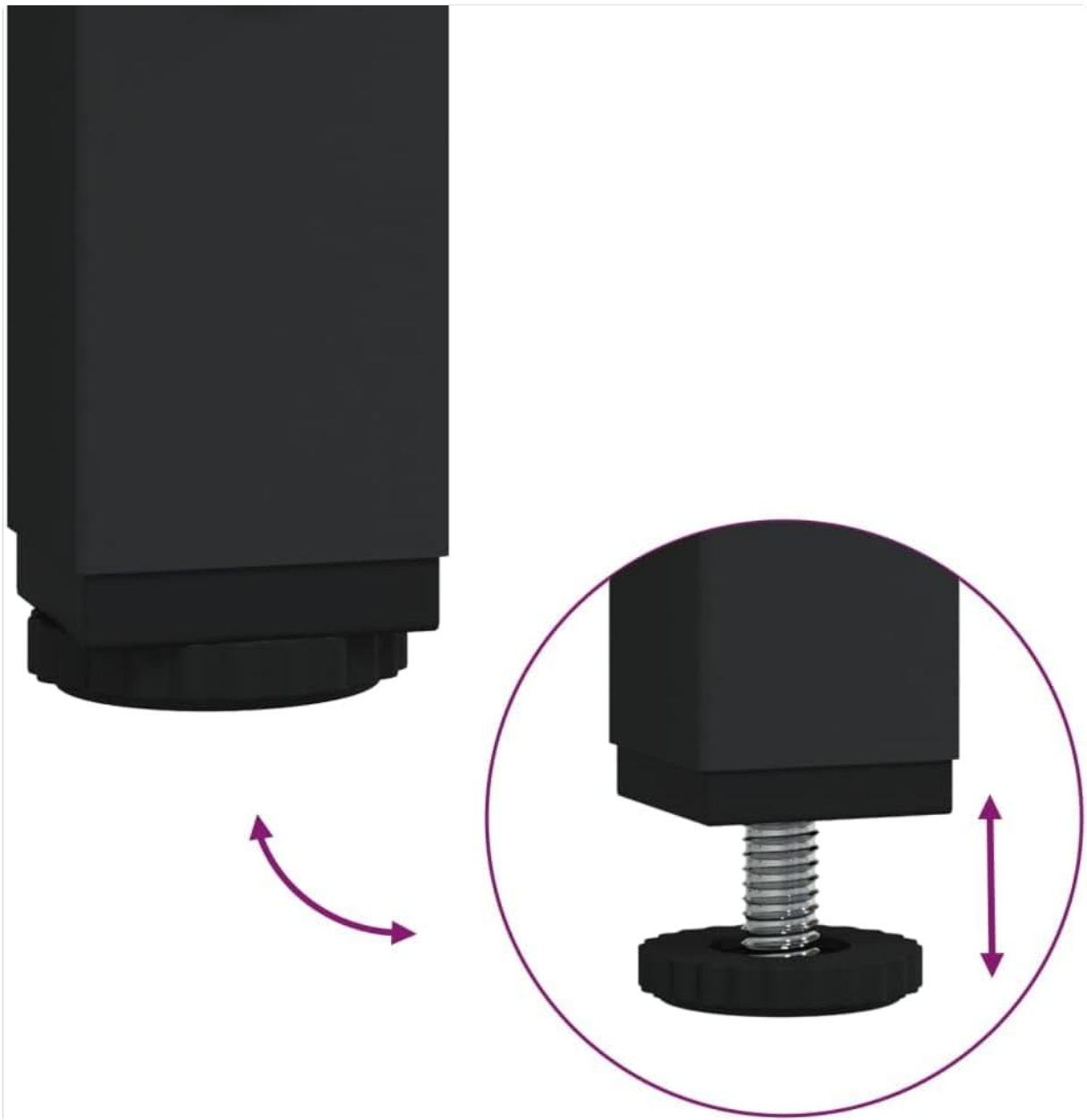


Image: Close-up of an adjustable foot, showing how to level the furniture.

3.4. Wall Mounting (Mirror Cabinet)

The mirror cabinet is designed for wall mounting. Identify the appropriate location on your wall, ensuring it is a sturdy surface. Use the provided wall mounting brackets and screws. Mark and drill pilot holes, then secure the brackets to the wall. Finally, hang the mirror cabinet onto the installed brackets.



Image: Close-up of the wall mounting bracket mechanism.

4. USAGE

This bathroom furniture set provides versatile storage solutions for your bathroom essentials.

- **Mirror Cabinet:** Use for storing smaller items like toiletries, medicines, and grooming products. The mirrored doors provide convenience for daily routines.
- **Sink Cabinet:** Designed to fit around a standard sink, offering concealed storage for cleaning supplies, extra towels, or larger bathroom items.
- **Tall Storage Unit:** Provides ample vertical storage with shelves and a cabinet for linens, towels, and other bathroom necessities.



Image: The complete bathroom furniture set installed in a bathroom, showcasing its functional use.

5. CARE AND MAINTENANCE

Proper care will help maintain the appearance and extend the life of your furniture set.

- **Cleaning:** Wipe surfaces with a dry, soft cloth. For stubborn marks, a slightly damp cloth followed immediately by a dry cloth can be used. Avoid abrasive cleaners or harsh chemicals.
- **Moisture:** Although made from moisture-resistant engineered wood, avoid prolonged exposure to excessive water. Wipe up spills immediately.
- **Inspection:** Periodically check all screws and connections to ensure they remain tight. Retighten if necessary.
- **Mirrors:** Clean mirror surfaces with a glass cleaner and a soft, lint-free cloth.

6. TROUBLESHOOTING

If you encounter any issues with your furniture set, refer to the following common solutions:

- **Wobbly Unit:** Check if the adjustable feet are properly leveled. Ensure all assembly screws are tightened.
- **Doors Not Aligning:** Adjust the hinges on the cabinet doors. Most hinges allow for minor

adjustments to align doors.

- **Difficulty Assembling:** Re-read the assembly instructions carefully. Ensure you are using the correct hardware for each step. Do not force parts together.
- **Scratches/Dents:** Minor cosmetic damage can sometimes be touched up with furniture repair pens or markers that match the smoked oak finish.

7. SPECIFICATIONS

Key specifications for the vidaXL Bathroom Furniture Set:

Feature	Detail
Model Number	3214697
Color	Smoked Oak
Material	Engineered Wood, Powder-Coated Steel
Item Weight	46.17 Kilograms
Item Dimensions (Overall)	Refer to dimension diagram for individual unit sizes
Assembly Required	Yes
Special Features	Moisture Resistant, Adjustable Feet

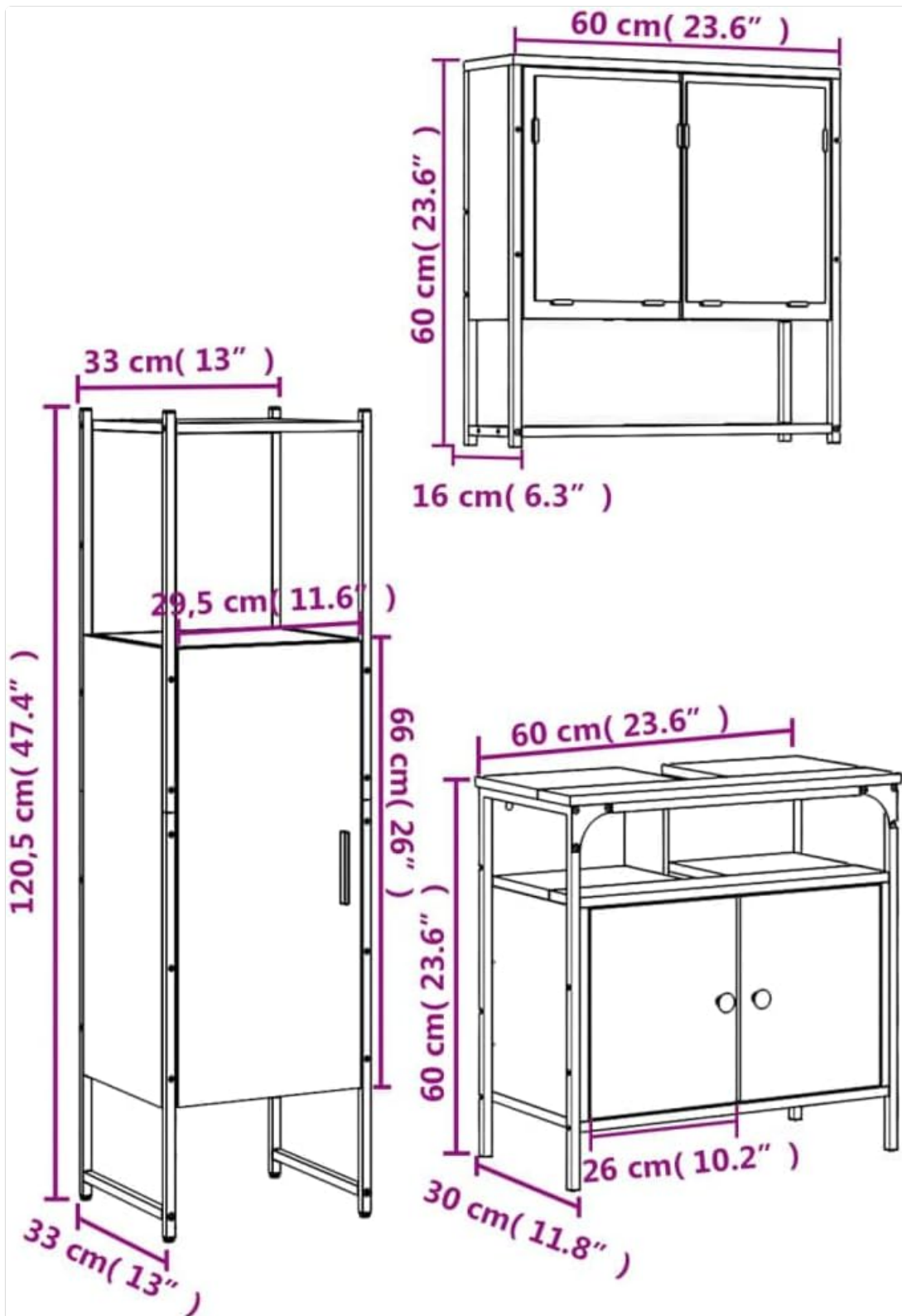


Image: Detailed dimensions for the mirror cabinet, tall unit, and sink cabinet.

8. WARRANTY AND SUPPORT

For warranty information or technical support, please refer to the purchase documentation or contact vidaXL customer service directly. Keep your proof of purchase for any warranty claims.

For further assistance, visit the official vidaXL website or contact their support team.

