

BELLA 35183

BELLA Single Serve Coffee Maker Instruction Manual

Model: 35183

1. INTRODUCTION

Thank you for choosing the BELLA Single Serve Coffee Maker. This appliance is designed for convenience and ease of use, allowing you to brew single servings of coffee using either K-Cups or ground coffee. Please read this manual thoroughly before operating your new coffee maker to ensure safe and efficient use.

2. IMPORTANT SAFETY INFORMATION

When using electrical appliances, basic safety precautions should always be followed, including the following:

- Read all instructions before use.
- Do not touch hot surfaces. Use handles or knobs.
- To protect against electrical shock, do not immerse cord, plugs, or the appliance in water or other liquid.
- Close supervision is necessary when any appliance is used by or near children.
- Unplug from outlet when not in use and before cleaning. Allow to cool before putting on or taking off parts, and before cleaning the appliance.
- Do not operate any appliance with a damaged cord or plug or after the appliance malfunctions or has been damaged in any manner.
- The use of accessory attachments not recommended by the appliance manufacturer may cause injuries.
- Do not use outdoors.
- Do not let cord hang over edge of table or counter, or touch hot surfaces.
- Do not place on or near a hot gas or electric burner, or in a heated oven.
- Always attach plug to appliance first, then plug cord into the wall outlet. To disconnect, turn any control to "off", then remove plug from wall outlet.
- Do not use appliance for other than intended use.
- Extreme caution must be used when moving an appliance containing hot liquids.

3. PARTS AND FEATURES

The BELLA Single Serve Coffee Maker is designed for versatile brewing and compact storage. Key features include:

- **Versatile Brewing:** Compatible with K-Cups and ground coffee using the included reusable filter.
- **Adjustable Drip Tray:** Accommodates various mug sizes, including travel mugs up to 7 inches tall.
- **Compact Design:** Slim profile fits neatly on any countertop.
- **Auto Shut-off:** For peace of mind after brewing.
- **Dishwasher-Safe Parts:** Reusable filter, coffee pod adapter, and drip tray for easy cleaning.



**Brew a 6oz, 8oz, 10oz, 12oz
or 14oz serving**

Figure 3.1: Front view of the BELLA Single Serve Coffee Maker, showcasing its sleek design.

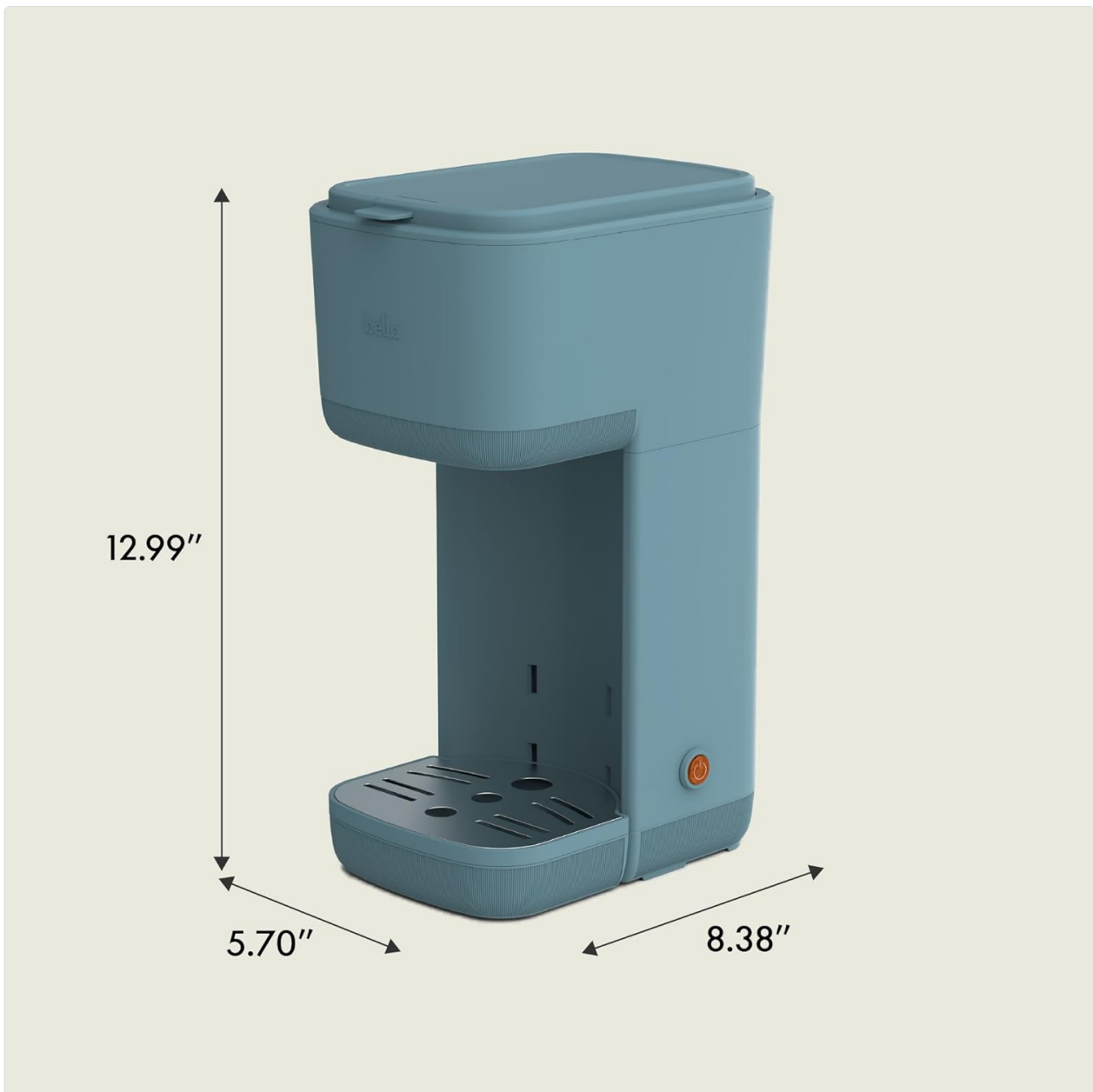


Figure 3.2: Product dimensions for easy placement on countertops.

4. SETUP AND FIRST USE

Before using your coffee maker for the first time, follow these steps:

1. Unpack the coffee maker and remove all packaging materials.
2. Wash the reusable filter, coffee pod adapter, and drip tray in warm, soapy water. Rinse thoroughly and dry. These parts are also dishwasher-safe.
3. Place the coffee maker on a stable, level surface.
4. Fill the water reservoir with clean water up to the MAX fill line (14 oz). Do not add coffee or K-Cup during this initial cleaning cycle.
5. Place a large mug or container on the drip tray.
6. Press the power button to start a brewing cycle. Allow the water to run through completely.
7. Discard the hot water. Your coffee maker is now ready for use.

5. OPERATING INSTRUCTIONS

The BELLA Single Serve Coffee Maker offers flexible brewing options.

5.1. Brewing with a K-Cup Pod

1. Lift the lid of the coffee maker.
2. Insert a K-Cup pod into the coffee pod adapter. Ensure it is seated correctly.
3. Fill the water reservoir with the desired amount of water (6oz to 14oz) for your brew. Do not exceed the MAX fill line.
4. Close the lid securely.
5. Place your mug on the adjustable drip tray. Adjust the drip tray height if using a taller travel mug.
6. Press the power button to begin brewing. The indicator light will illuminate.
7. The coffee maker will automatically shut off once brewing is complete.



Figure 5.1: Inserting a K-Cup pod into the coffee maker.



Figure 5.2: K-Cup pod correctly positioned for brewing.

5.2. Brewing with Ground Coffee

1. Lift the lid of the coffee maker.
2. Place the reusable filter into the coffee maker.
3. Add your desired amount of ground coffee into the reusable filter. Do not overfill.
4. Fill the water reservoir with the desired amount of water (6oz to 14oz) for your brew. Do not exceed the MAX fill line.
5. Close the lid securely.
6. Place your mug on the adjustable drip tray. Adjust the drip tray height if using a taller travel mug.
7. Press the power button to begin brewing. The indicator light will illuminate.
8. The coffee maker will automatically shut off once brewing is complete.



Our coffee maker	Other coffee makers
<ul style="list-style-type: none">✓ One-touch operation✓ Cord tie feature✓ Compact & modern design✓ Travel mug friendly	<ul style="list-style-type: none">✗ Complicated settings✗ Tangled mess✗ Bulky & outdated✗ Limited cup size options

Figure 5.3: Adding ground coffee to the reusable filter.



Figure 5.4: Reusable filter with ground coffee.

5.3. Adjustable Drip Tray

The drip tray can be adjusted to accommodate various cup sizes. Simply lift or lower the tray to fit your mug or

travel cup (up to 7 inches tall).



Fits travel mugs
Adjustable drip tray fits mugs
with heights up to 7"

Figure 5.5: Adjustable drip tray for different mug sizes.



Figure 5.6: Drip tray adjusted for a smaller cup.

5.4. Water Reservoir

The water reservoir has clear measurement markings to help you fill the precise amount of water needed for your desired brew size, from 6oz to 14oz.



Figure 5.7: Water tank with measurement markings.



Figure 5.8: Filling the water reservoir.

5.5. Product Video

Video 5.1: Official product overview of the BELLA Single Serve Coffee Maker, demonstrating its features and ease of use.

6. MAINTENANCE AND CLEANING

Regular cleaning and maintenance will ensure the longevity and optimal performance of your coffee maker.

6.1. Daily Cleaning

- Always unplug the appliance before cleaning.
- Remove the reusable filter/coffee pod adapter and drip tray. Wash them in warm, soapy water or place them in the dishwasher.
- Wipe the exterior of the coffee maker with a damp cloth. Do not immerse the main unit in water.
- Ensure all parts are completely dry before reassembling.

6.2. Descaling

Over time, mineral deposits can build up in your coffee maker, affecting performance. Descale your coffee

maker every 2-3 months, or more frequently if you have hard water.

1. Fill the water reservoir with a mixture of 1 part white vinegar and 2 parts water.
2. Place a large mug on the drip tray.
3. Run a brewing cycle without a K-Cup or ground coffee.
4. After the cycle, let the coffee maker sit for 30 minutes with the vinegar solution inside.
5. Run several cycles with fresh, clean water to rinse out any remaining vinegar taste.

7. TROUBLESHOOTING

If you encounter issues with your BELLA Single Serve Coffee Maker, refer to the table below for common problems and solutions.

Problem	Possible Cause	Solution
Coffee maker does not turn on.	Not plugged in; power outage; faulty outlet.	Ensure the power cord is securely plugged into a working outlet. Check your circuit breaker.
Coffee is not brewing.	Water reservoir empty; lid not closed properly; K-Cup/filter not inserted correctly.	Fill the water reservoir. Ensure the lid is fully closed and latched. Check that the K-Cup or reusable filter is properly seated.
Coffee tastes weak or watery.	Too much water for coffee amount; coffee grounds too coarse; old coffee.	Use less water or more coffee. Ensure coffee grounds are suitable for single-serve brewing. Use fresh coffee.
Coffee grounds in cup.	Reusable filter overfilled or not sealed properly; K-Cup punctured incorrectly.	Do not overfill the reusable filter. Ensure the filter is securely closed. Check K-Cup for proper puncture. Clean the brewing chamber.
Water leaking from unit.	Water reservoir overfilled; drip tray full; lid not closed properly.	Do not overfill the water reservoir. Empty the drip tray regularly. Ensure the lid is securely closed.

8. SPECIFICATIONS

Feature	Detail
Brand	BELLA
Model Name	K Cup Coffee Maker
Item Model Number	35183

Feature	Detail
Color	Surf
Product Dimensions	8.38"D x 5.7"W x 12.99"H
Item Weight	2.75 pounds
Power Source	AC adapter
Voltage	120V
Capacity	14 ounces
Coffee Input Type	Coffee pods, Ground coffee
Compatible Coffee Pods	K-Cup
Special Feature	Auto Clean Function, Removable Tank
Dishwasher Safe Parts	Yes
UPC	829486351839

9. WARRANTY AND SUPPORT

This BELLA Single Serve Coffee Maker comes with a 2-Year Warranty. For warranty claims, product support, or to register your product, please visit the official BELLA website or contact customer service using the information provided in your product packaging.



Figure 9.1: BELLA Single Serve Coffee Maker with 2-Year Warranty.

For more information and product registration, visit: bellakitchenware.com