



Manuals.plus /

- › WOODBRIDGE /
- › WOODBRIDGE BJ-100 Combination Bathtub User Manual

WOODBRIDGE BJ-100

WOODBRIDGE BJ-100 Combination Bathtub User Manual

Model: BJ-100 | Brand: WOODBRIDGE

PRODUCT OVERVIEW

The WOODBRIDGE BJ-100 is a 59-inch freestanding combination bathtub featuring both whirlpool water jets and air bubble massage systems, along with an inline heater and an LED control panel. Designed for a luxurious and therapeutic bathing experience, this model combines advanced hydrotherapy features with a sleek, modern aesthetic.



Figure 1: WOODBRIDGE BJ-100 Combination Bathtub in a bathroom setting with blue LED lighting and active water jets.

SAFETY INFORMATION

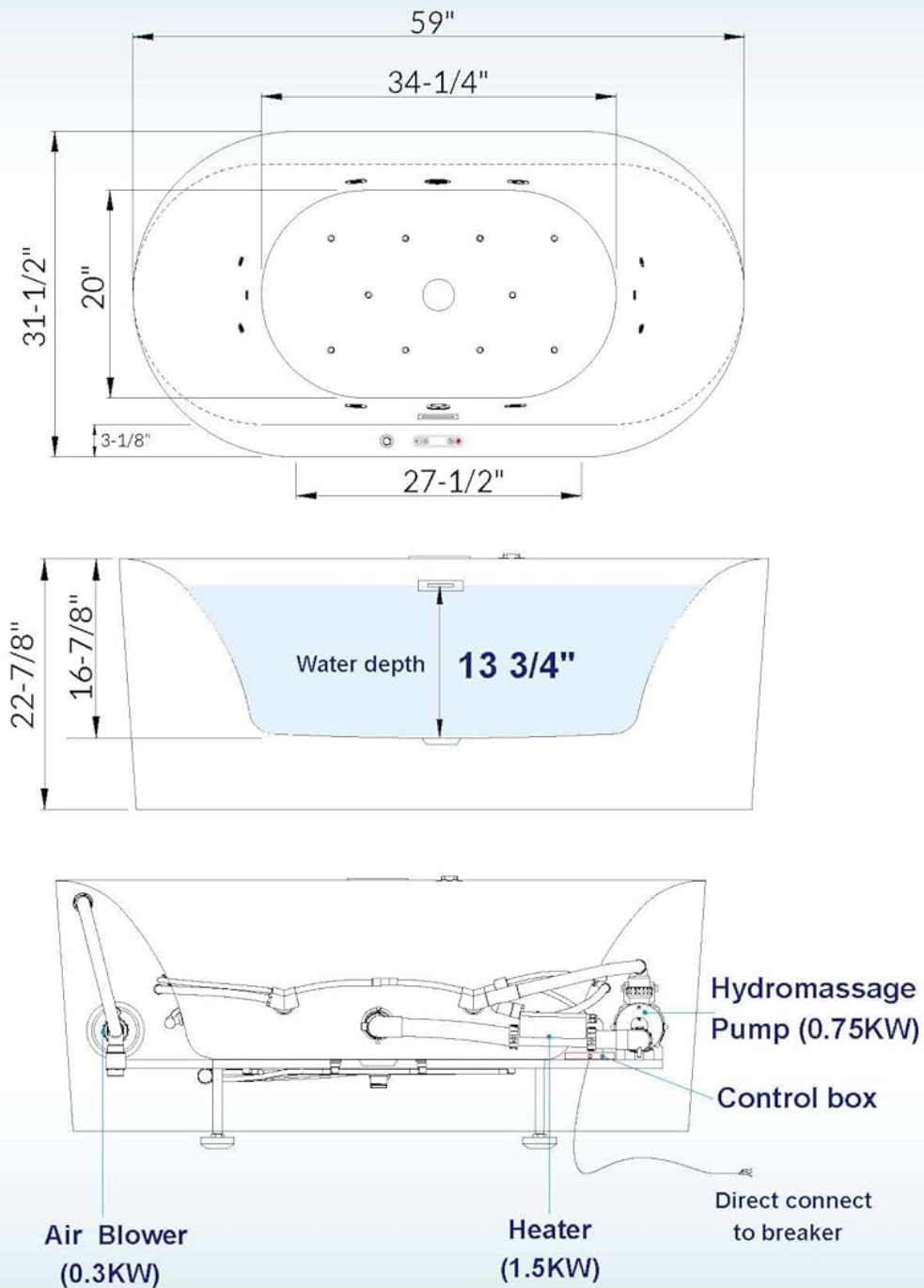
Please read and understand all safety instructions before installation and use. Failure to follow these instructions could result in injury or property damage.

- **Electrical Requirements:** The bathtub requires 1 dedicated 120V 30AMP breaker. Ensure proper grounding and consult a qualified electrician for installation.
- **Water Temperature:** Exercise caution with heated water. Always test water temperature before entering the tub to prevent scalding.
- **Chemical Use:** Use only recommended bath additives. Avoid harsh chemicals that may damage the acrylic surface or internal components.
- **Children and Pets:** Never leave children or pets unattended near the bathtub.
- **Maintenance:** Disconnect power before performing any maintenance or cleaning.
- **Certification:** This hydromassage bathtub is certified to UL1795 and complies with ASME A112.19.7/CSA B45.10, CSA

SETUP AND INSTALLATION

Installation should be performed by a qualified professional in accordance with local plumbing and electrical codes.

1. **Unpacking:** Carefully unpack the bathtub. Inspect for any shipping damage. The package includes the bathtub, pre-assembled chrome finish drain and overflow, and this user guide.
2. **Placement:** Position the freestanding bathtub in the desired location, ensuring adequate space for plumbing connections and access for future maintenance.
3. **Leveling:** Adjust the leveling feet on the bottom of the tub to ensure it is stable and level on the floor.
4. **Plumbing Connections:** Connect the hot and cold water supply lines to the bathtub's inlets. Connect the drain and overflow to the household drainage system. Ensure all connections are watertight.
5. **Electrical Connection:** A dedicated 120V 30AMP circuit breaker is required. Connect the bathtub's electrical wiring to the dedicated circuit as per local electrical codes. This step must be performed by a licensed electrician.
6. **Testing:** Fill the tub with water and test all functions (whirlpool, air bubble, heater, LED lights) to ensure proper operation and check for leaks.



IMPORTANT INFORMATION

- Measurements are $\pm 1/2"$ and subject to change without notice
- Specifications & Configurations are subject to change without notice
- Please measure tub on-site before installation
- Please note that installer(s) must be certified or warranty will be voided
- Measurements herein supersede all others published prior to publication date shown below
- Before ordering or installing, please consider future access to equipment

www.woodbridgebath.com

Figure 2: Detailed dimensions and internal component layout for installation planning.

OPERATING INSTRUCTIONS

The WOODBRIDGE BJ-100 bathtub features an intuitive LED control panel for easy operation of its various functions.

LED Control Panel

The LED control panel allows you to manage all features. Refer to Figure 3 for button identification.



Figure 3: LED Control Panel for convenient operation.

- **Power ON/OFF:** Press the power button to turn the system on or off.
- **Temperature Control (Inline Heater):** Use the up/down arrows to set the desired water temperature. The inline heater maintains the water temperature for extended soaking.
- **Whirlpool Jets:** Activate the 6 adjustable body massage jets and 10 whirlpool bubble bath jets for a powerful hydro-massage. These jets provide a mix of air and water for comfort.
- **Air Bubble Massage:** Engage the air bubble system for a gentle, effervescent massage that promotes relaxation and blood flow.

- **Chromotherapy Lighting:** Cycle through various colors or set a specific color using the control panel to enhance your bathing experience with underwater LED lighting.

Hydro-Spa Features

The BJ-100 is designed to provide a comprehensive hydro-spa experience:

- **Adjustable Body Jets:** The 6 body massage jets can be adjusted 360 degrees to target specific areas for maximum comfort and relief.
- **Therapeutic Benefits:** The hydro-massage and air bubble systems help improve blood circulation, increase oxygen levels, and aid in body pain relief.



Figure 4: Illustration of adjustable jets and water flow for enhanced SPA enjoyment.



Figure 5: Benefits of the Hydro Spa system, including improved circulation, increased oxygen, and pain relief.

MAINTENANCE AND CARE

Regular maintenance ensures the longevity and optimal performance of your WOODBRIDGE bathtub.

- **Cleaning the Surface:** Clean the 100% high gloss white LUCITE acrylic surface with a soft cloth and non-abrasive, mild bathroom cleaner. Avoid abrasive cleaners, scouring pads, or harsh chemicals that can scratch or dull the finish.
- **Jet Cleaning:** Periodically run the jets with a specialized jetted tub cleaner or a solution of white vinegar and water to prevent buildup and maintain hygiene. Follow the cleaner's instructions.
- **Drain and Overflow:** Regularly check and clean the chrome finish drain and overflow assembly to ensure proper drainage and prevent clogs.
- **General Care:** Wipe down the control panel and surrounding areas after each use to prevent water spots and mineral buildup.



Figure 6: The one-piece seamless design of WOODBRIDGE bathtubs simplifies cleaning and maintenance, preventing bacteria buildup in hard-to-reach gaps.

TROUBLESHOOTING

This section addresses common issues you might encounter with your bathtub. For problems not listed here, please contact customer support.

Problem	Possible Cause	Solution
Jets not operating	No power; circuit breaker tripped; low water level.	Check power supply and circuit breaker. Ensure water level is above the jets.
Heater not maintaining temperature	Incorrect temperature setting; heater malfunction.	Verify temperature setting on the LED control panel. If issue persists, contact support.
Air bubbles are weak or absent	Air blower issue; clogged air jets.	Ensure air blower is powered. Clean air jets if clogged.
Water leaks	Loose plumbing connections; damaged seals.	Inspect all plumbing connections for tightness. If seals are damaged, contact support.
LED lights not working	Electrical issue; light module malfunction.	Check power to the unit. If lights remain off, contact support.

SPECIFICATIONS

- **Model:** BJ-100
- **Brand:** WOODBRIDGE
- **Exterior Dimensions:** 59" L x 31.5" W x 22.88" H
- **Effective Tub Capacity:** 41 Gallons
- **Seating Dimension:** 34-1/4" L x 20" W
- **Water Depth to Overflow:** 13-3/4"
- **Material:** 100% High Gloss White LUCITE Acrylic, reinforced with ASHLAND resin & fiberglass
- **Finish Type:** White with Chrome Trim
- **Installation Type:** Freestanding
- **Jets:** 6 adjustable body massage jets, 10 whirlpool bubble bath jets (Stainless Steel sanitary full-draining jets)
- **Heater:** Inline Heater
- **Control Panel:** LED control panel
- **Lighting:** Underwater Chromotherapy Light
- **Power Requirements:** 1 Dedicated 120V 30AMP Breakers
- **Certifications:** UL1795, ASME A112.19.7/CSA B45.10, CSA B45.5/IAPMO Z124, CSA C22.2 No.218. IPC and NPC.
- **Item Weight:** 127 Pounds
- **Country of Origin:** China

WARRANTY AND SUPPORT

WOODBRIDGE stands behind the quality of its products. This bathtub comes with a standard warranty. You can get an **extra 1 Year Warranty** by logging in and registering your product on the official WOODBRIDGE website.

For technical assistance, troubleshooting, or warranty claims, please visit the WOODBRIDGE website or contact their customer support team. Ensure you have your model number (BJ-100) and proof of purchase readily available.

WOODBRIDGE Official Website: www.woodbridgebath.com