



[Manuals.plus](#) /

> [Blogole](#) /

> Golf Cart Underglow LED Light Strip Kit with Canopy Lights, 210 Modes Glow Neon Underbody Lighting with App Control, Music/Sound Active, Water Resistant Flexible Tubes, 6pcs

## Blogole

# Golf Cart Underglow LED Light Strip Kit User Manual

Brand: Blogole

## INTRODUCTION

---

This manual provides comprehensive instructions for the installation, operation, and maintenance of your Blogole Golf Cart Underglow LED Light Strip Kit. This kit is designed to enhance your golf cart with vibrant, customizable lighting, featuring underglow and canopy lights, app control, and music synchronization capabilities. Please read this manual thoroughly before installation and use to ensure proper function and longevity of the product.

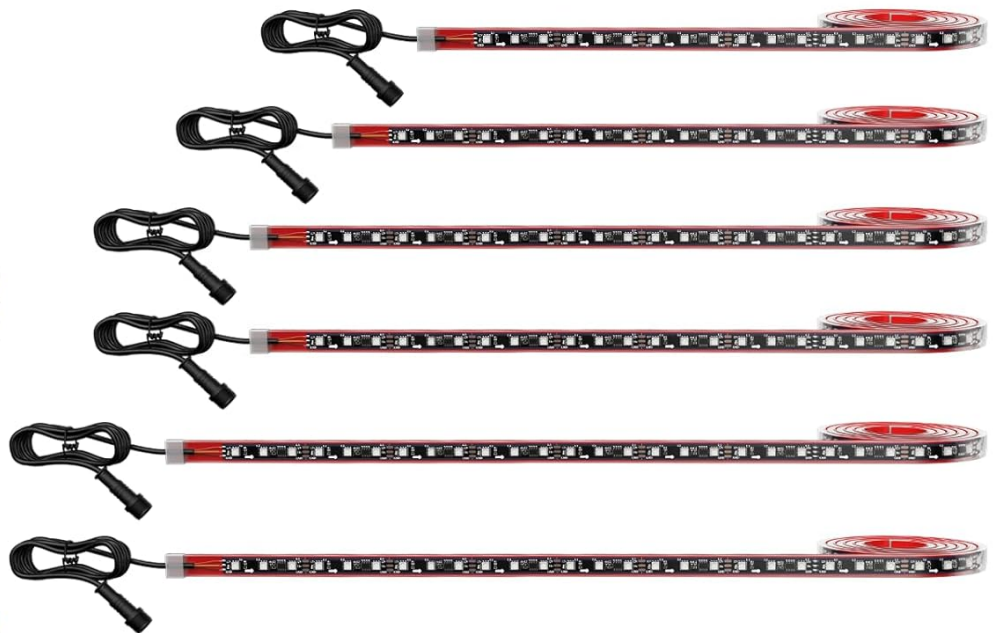


Image: A golf cart illuminated with blue underglow and canopy LED lights, showcasing the product's effect at night.

## SAFETY INFORMATION

---

- Ensure the golf cart's power is completely off before beginning installation to prevent electrical shock.
- Do not fold LED strips in half; bend them gently to fit contours.
- Verify correct voltage (15V-110V) before connecting the control box to batteries. No additional voltage converter/reducer is needed within this range.
- Keep all electrical connections secure and protected from environmental elements.
- The product is IP68 waterproof, but avoid submerging the control box.
- Installation may require basic tools, such as a wrench (not included).

## PACKAGE CONTENTS

---

The Blogole Golf Cart Underglow LED Light Strip Kit includes the following components:

- LED Waterproof Strip Lights:
  - Two (2) 46-inch strips (for canopy)
  - Two (2) 40-inch strips (for side underbody)
  - One (1) 32-inch strip (for rear underbody)
  - One (1) 24.4-inch strip (for front underbody)
- One (1) 15-110V Powered Control Box
- One (1) Wiring Harness
- Installation Accessories (e.g., zip ties)
- User Manual (this document)

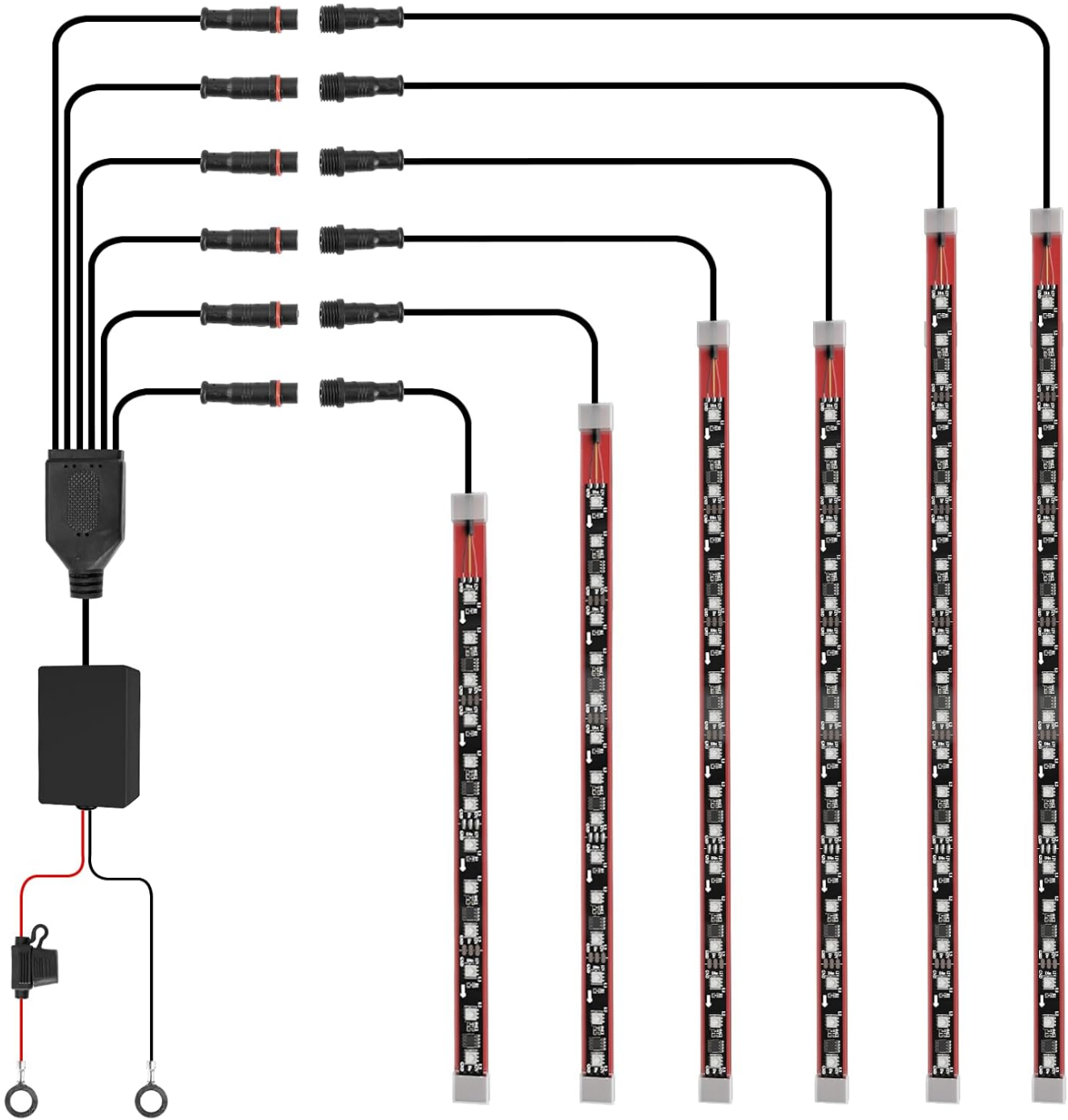


Image: An overhead view of the complete LED light strip kit components, including the control box, wiring, and six flexible LED strips of varying lengths.



Image: A visual representation of the different kit configurations (2, 4, and 6 pieces), detailing the length and quantity of LED strips included for underbody and canopy lighting.

## SPECIFICATIONS

Feature	Detail
Brand	Blogole
Color	Multicolor (RGB)
Form Factor	Strip
Auto Part Position	Bottom (Underglow), Canopy
Material	Premium ABS Plastic
Water Resistance Level	IP68 Waterproof
Number of Pieces	6 (as per this kit)
Connectivity Technology	Bluetooth (App Control)
Control Modes	210 Dynamic Lighting Modes, Music Sync, Sound Active
Lifespan	50,000 hours
Voltage Compatibility	15V-110V (No additional converter needed)

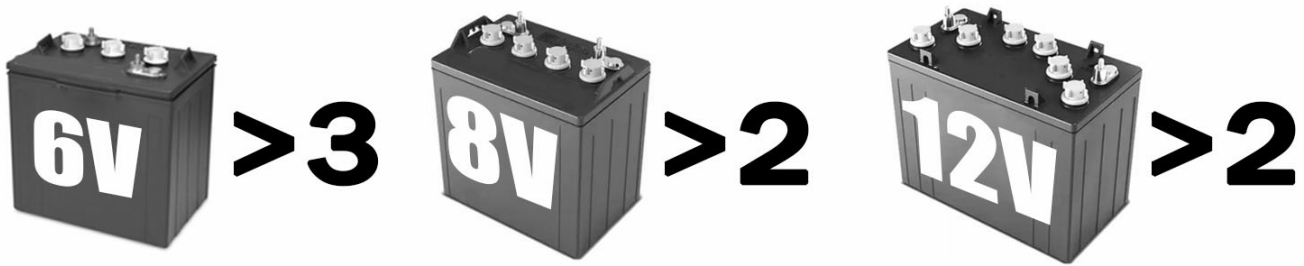
## INSTALLATION GUIDE

Follow these steps for proper installation of your LED light kit. Ensure the golf cart's power is disconnected before starting.

### 1. Power Requirements

The control box is designed to connect directly to golf cart batteries ranging from 15V to 110V. No separate voltage converter or reducer is required within this voltage range. Ensure your golf cart's battery system meets this

requirement.



**Note: This product requires a voltage of 15V or more to work properly !**

Image: A diagram illustrating the voltage requirements, indicating that the product needs a minimum of 15V to operate correctly, and showing how different battery configurations (6V, 8V, 12V) can achieve this.

## 2. Planning Strip Placement

Before permanent attachment, lay out the LED strips to determine optimal placement. The kit includes specific lengths for different areas:

- **Canopy Lights:** Two 46-inch strips.
- **Side Underbody Lights:** Two 40-inch strips.
- **Rear Underbody Light:** One 32-inch strip.
- **Front Underbody Light:** One 24.4-inch strip.

Ensure the surfaces are clean and dry for proper adhesion. The flexible LED strips can be bent to fit contours, but avoid folding them sharply.

## 3. Wiring Diagram and Connections

Refer to the wiring diagram below for connecting the LED strips to the control box and the control box to the golf cart's battery system. Secure all connections firmly. A wrench (not included) may be used for battery terminal connections.

# Wiring Diagram

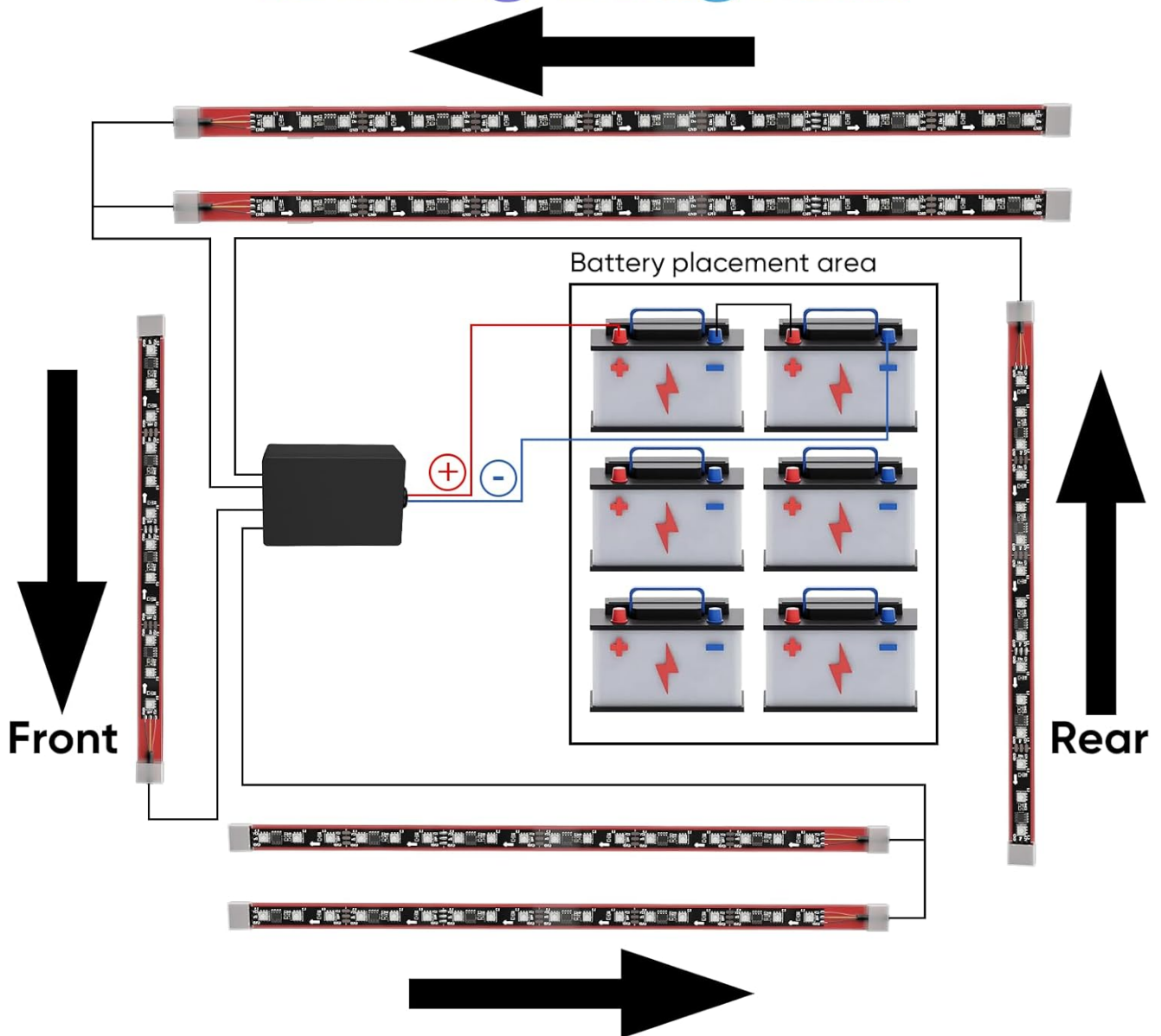


Image: A comprehensive wiring diagram illustrating how to connect the LED light strips to the central control box and how the control box connects to the golf cart's battery system, showing placement for front, rear, and side lights.

The control box should be mounted in a secure, dry location, away from excessive heat or direct water exposure, though the strips themselves are waterproof.

## OPERATING INSTRUCTIONS

Your Blogole LED Light Kit is controlled via a dedicated smartphone application. Ensure your golf cart's power is on to operate the lights.

### 1. App Installation and Connection

1. Download the official control app from your device's app store (compatible with Android and iOS). The app name is typically provided on the product packaging or a small card included in the box.
2. Enable Bluetooth on your smartphone.
3. Open the app and allow it to search for nearby Bluetooth devices. Select your Blogole LED light kit from the list to establish a connection.

# Smart App Control



Image: A smartphone displaying the app interface for controlling the LED lights, showing options for color adjustment, brightness, strobe modes, music sync, and custom modes.

## 2. App Features

The app provides extensive control over your lighting experience:

- **Color Personalization:** Choose from over 16 million RGB colors.
- **Dynamic Lighting Modes:** Select from 210 pre-programmed dynamic modes.
- **Brightness Control:** Adjust the intensity of the lights.
- **Speed Adjustment:** Control the speed of dynamic lighting effects.
- **Flashing Effects:** Activate various flashing patterns.
- **Music Sync:** Lights can synchronize with music playing on your device.
- **Sound Active Mode:** Lights react to ambient sounds and music detected by your phone's microphone.

# BEAT-DANCING LIGHT

The lights flash and synchronize with the latest tune



Image: A golf cart with its lights flashing and synchronizing to music, with people enjoying the ambiance, illustrating the "Beat-Dancing Light" feature.

## MAINTENANCE

---

To ensure the longevity and optimal performance of your Blogole LED Light Strip Kit, follow these maintenance guidelines:

- **Cleaning:** Wipe the LED strips and control box with a damp cloth to remove dirt and debris. Avoid using harsh chemicals or abrasive cleaners.
- **Connection Check:** Periodically inspect all wiring connections to ensure they remain secure and free from corrosion.
- **Damage Inspection:** Regularly check the LED strips for any physical damage, such as cuts or cracks, which could compromise their waterproof integrity.
- **Storage:** If the golf cart is stored for extended periods, ensure the lights are turned off and, if possible, disconnect the power to the control box.

## TROUBLESHOOTING

---

Problem	Possible Cause	Solution
Lights do not turn on.	No power to the control box; loose connections; incorrect voltage.	Check battery connections and ensure they are secure. Verify golf cart power is on. Confirm battery voltage is within 15V-110V range.
App cannot connect to the lights.	Bluetooth is off; app not installed correctly; interference; control box not powered.	Ensure Bluetooth is enabled on your phone. Restart the app and try reconnecting. Move closer to the control box. Verify the lights are powered on.
Lights are dim or flickering.	Low voltage; loose connection; damaged strip.	Check battery charge. Inspect all wiring connections for looseness. If a specific strip is affected, it may be damaged and require replacement.
Lights do not respond to music/sound.	Microphone access denied for app; music sync not activated; low volume.	Ensure the app has microphone permissions in your phone settings. Activate the music sync or sound active mode within the app. Increase music volume.

## WARRANTY AND SUPPORT

---

For warranty information or technical support, please refer to the contact details provided on the product packaging or visit the official Blogole store on Amazon. Keep your purchase receipt as proof of purchase for any warranty claims.

Blogole specializes in automotive/golf cart/UTV parts and DIY modification components. For further assistance, please reach out to their customer service.

Visit the Blogole Store: [Blogole Amazon Store](#)