

[Manuals.plus](#) /

› [LUMISOL](#) /

› LUMISOL 3-in-1 Convertible Sleeper Sofa Bed (Model x2620) Instruction Manual

LUMISOL x2620

LUMISOL 3-in-1 Convertible Sleeper Sofa Bed (Model x2620) Instruction Manual

Brand: LUMISOL | Model: x2620

PRODUCT OVERVIEW

The LUMISOL 3-in-1 Convertible Sleeper Sofa Bed is a versatile furniture piece designed to maximize space and functionality. This loveseat easily transforms into a comfortable sleeper bed, making it ideal for apartments or guest rooms. It features integrated USB charging ports, convenient cup holders, a swivel phone stand, and practical storage pockets, enhancing user comfort and convenience.



Image: The LUMISOL 3-in-1 Convertible Sleeper Sofa Bed in its standard sofa configuration, showcasing its modern design and compact size.

SETUP AND ASSEMBLY

Full assembly is required for this product. All necessary tools and hardware are included in the package. Assembly typically takes approximately 20 minutes with two people. Follow the detailed instructions provided in the separate assembly guide for a smooth setup process.

Video: This video demonstrates the assembly and key features of the LUMISOL 3-in-1 Convertible Sleeper Sofa Bed, including its transformation into a bed and the use of USB ports.

OPERATING INSTRUCTIONS

Converting to a Sleeper Bed

To convert the loveseat into a sleeper bed, locate the pull-out handle at the front base of the sofa. Gently pull the bed mechanism outwards until it fully extends and locks into place. Ensure the support legs are properly deployed for stability. To revert to sofa mode, lift the extended section slightly, push it back into the base, and ensure it is securely stowed.

PULL OUT SOFA BED WITH 3 LEVEL ADJUSTABLE BACKREST



Step1



Step2 108°



Step3 135°



Step4 180°

Image: Visual guide demonstrating the four steps to convert the sofa into a pull-out bed, showing the extension mechanism.

Adjusting the Backrest

The backrest offers three adjustable angles: 108°, 135°, and 180° (flat). To adjust, push the backrest forward slightly, then recline it to your desired position. Release to lock the backrest into one of the preset angles. This allows for comfortable seating, lounging, or sleeping positions.



01 **360° Swivel Phone Holder**

Free your hand, giving you the ultimate relax experience.



02 **Convenient Handle**

Easy to pull out the sofa bed, and save your time and effort.

Image: Illustration showing the 3-level adjustable backrest (108°, 135°, 180°) and how the sofa can be configured for different comfort levels.

Using Integrated Features

- **USB Ports:** Two USB ports are located on the side armrest. Connect your electronic devices using a compatible USB cable for convenient charging.
- **Cup Holders:** Two cup holders are integrated into the armrests to securely hold beverages.
- **Swivel Phone Stand:** A 360° swivel phone stand is provided for hands-free viewing of your mobile device. Adjust the stand to your preferred angle.
- **Storage Pockets:** Side pockets are available for storing magazines, remote controls, or other small items.



Considerate Side Pockets

Provide Space for you to accommodate your magazines, books, etc.



Handy USB Ports

Say goodbye to searching for electrical outlets or using bulky extension cords.



Two Cup Holders

Prevent spills and keep your drink within reach as you enjoy your cozy movie nights.



Image: Close-up view of the sofa's armrest, highlighting the integrated USB charging ports, cup holders, and side storage pockets.

MAINTENANCE

To maintain the appearance and longevity of your LUMISOL sofa bed, follow these guidelines:

- **Cleaning:** For general cleaning, vacuum the fabric regularly using an upholstery attachment. For spills, blot immediately with a clean, dry cloth. Avoid harsh chemicals or abrasive cleaners.
- **Cushions:** The seat and back cushions are not removable. Rotate and fluff pillows periodically to maintain their shape and even out wear.
- **Frame:** Periodically check all bolts and screws to ensure they are tight. Retighten as needed.

TROUBLESHOOTING

If you encounter any issues with your sofa bed, please consider the following:

- **Difficulty in Conversion:** Ensure no obstructions are blocking the pull-out mechanism. Apply even pressure when pulling or pushing the bed section.
- **USB Ports Not Working:** Verify that the sofa bed is properly connected to a power source. Check the USB

cable for damage.

- **Stability Issues:** Confirm that all assembly hardware is securely tightened. Ensure the sofa is placed on a flat, even surface.

For further assistance, please contact customer support.

SPECIFICATIONS

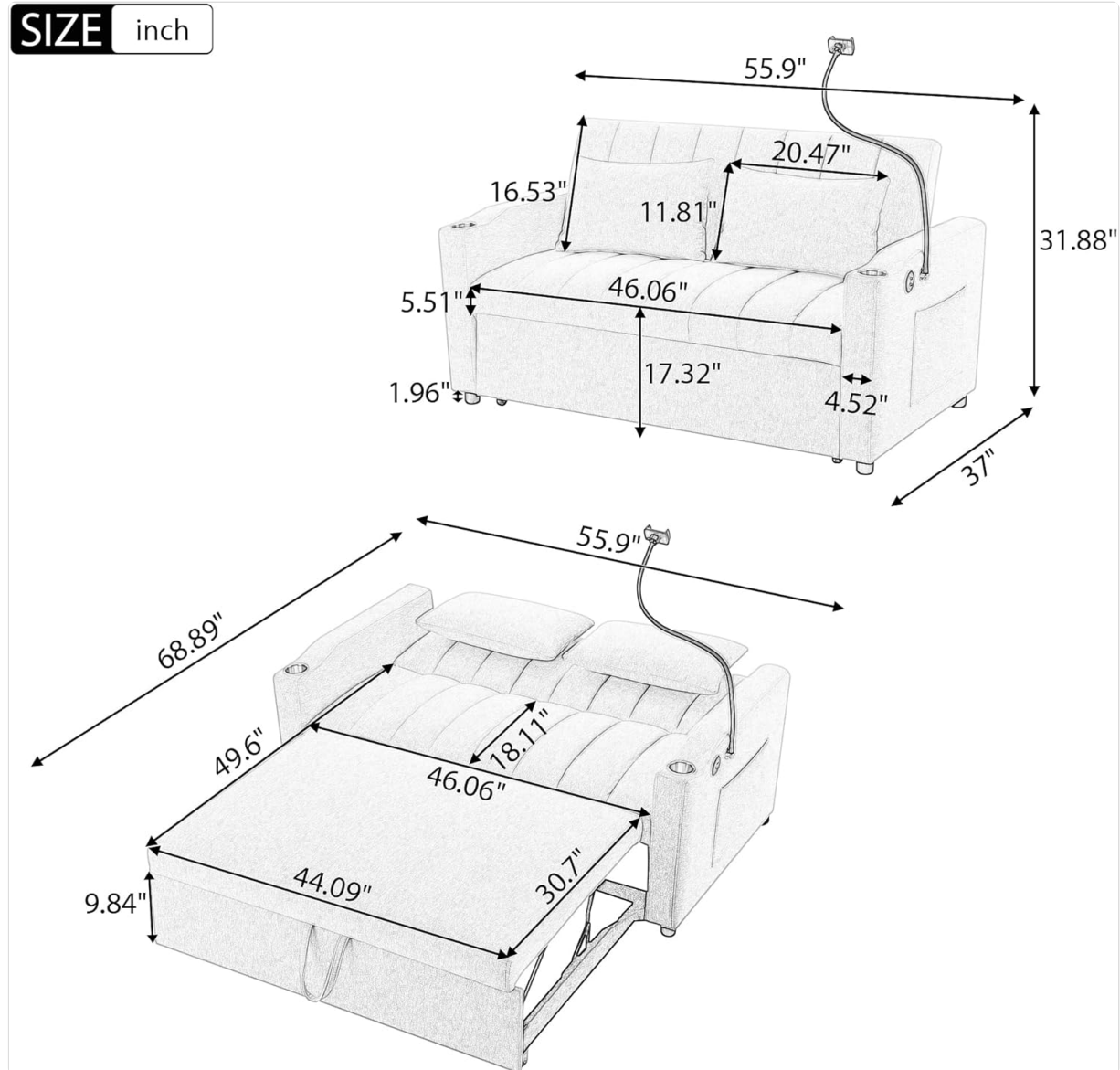


Image: Detailed diagram illustrating the dimensions of the LUMISOL 3-in-1 Convertible Sleeper Sofa Bed in both sofa and bed configurations.

Feature	Detail
Brand	LUMISOL
Model Number	x2620
Type	Sofa Bed
Overall Dimensions (Sofa)	55.9"L x 37"W x 31.88"H
Seat Depth	18.11 inches

Seat Height	17.32 inches
Weight Capacity	1102 lbs
Item Weight	108 lbs
Upholstery Fabric	Fabric
Frame Material	Plywood (Engineered Wood)
Leg Material	Plastic
Seat Fill Material	Foam + Sinuous Springs
Back Fill Material	Foam
Adjustable Backrest	3 Levels (108°, 135°, 180°)
Additional Features	USB Ports, 2 Cup Holders, 360° Swivel Phone Holder, Storage Pockets, 2 Lumbar Pillows

WARRANTY AND SUPPORT

This LUMISOL product comes with a limited warranty. For specific details regarding warranty coverage, terms, and conditions, please refer to the documentation included with your purchase or contact LUMISOL customer service. If you have any questions, require assistance with assembly, or need troubleshooting support, please reach out to our customer service team for prompt and helpful solutions.