

Manuals+

[Q & A](#) | [Deep Search](#) | [Upload](#)

manuals.plus /

> [AYR](#) /

> [AYR INT_Key Pro Bluetooth Remote Control User Manual](#)

AYR 151

AYR INT_Key Pro Bluetooth Remote Control User Manual

Model: 151

1. INTRODUCTION

The AYR INT_Key Pro is a Bluetooth remote control designed for secure and convenient operation of AYR Smart Door products. It allows users to open and close compatible Smart Doors and activate alarms with a simple press of a button. This manual provides essential information for the proper setup, operation, and maintenance of your INT_Key Pro remote control.



Figure 1: AYR INT_Key Pro Bluetooth Remote Control. This image shows the remote control from an angled perspective, highlighting its two black circular buttons and textured blue casing.

2. PRODUCT FEATURES

- Enables opening and closing of AYR Smart Door products.
- Utilizes advanced encryption protocols for secure communication, ensuring data integrity.
- Features Bluetooth 5.0 Low Energy technology, designed to prevent unauthorized copying and hacking attempts.
- Compact and durable design with two distinct buttons: one for opening and one for closing.
- Capable of activating alarms on compatible AYR Smart Door devices with a specific button press.
- Powered by a single CR2032 3V battery, providing an extended period of use.

3. PACKAGE CONTENTS

Verify that all items are present in the package:

- 1 x AYR INT_Key Pro Remote Control
- 1 x User Manual
- 1 x CR2032 3V Battery (pre-installed)

4. SETUP

4.1. Battery Installation

The INT_Key Pro remote control comes with a CR2032 3V lithium battery pre-installed. No initial battery installation is required. The expected battery life is approximately 16 months.

4.2. Pairing with AYR Smart Door Products

To begin using the remote, it must be paired with your AYR Smart Door product(s). This process is typically performed through the official AYR application on your smartphone or tablet.

1. Ensure your AYR Smart Door product is powered on and in pairing mode (refer to its specific manual for instructions).
2. Open the AYR application on your compatible device.
3. Follow the in-app instructions to add a new remote control or accessory.
4. The application will guide you through the process of connecting the INT_Key Pro to your Smart Door product.

For detailed pairing instructions, consult the user manual of your specific AYR Smart Door product or the help section within the AYR application.

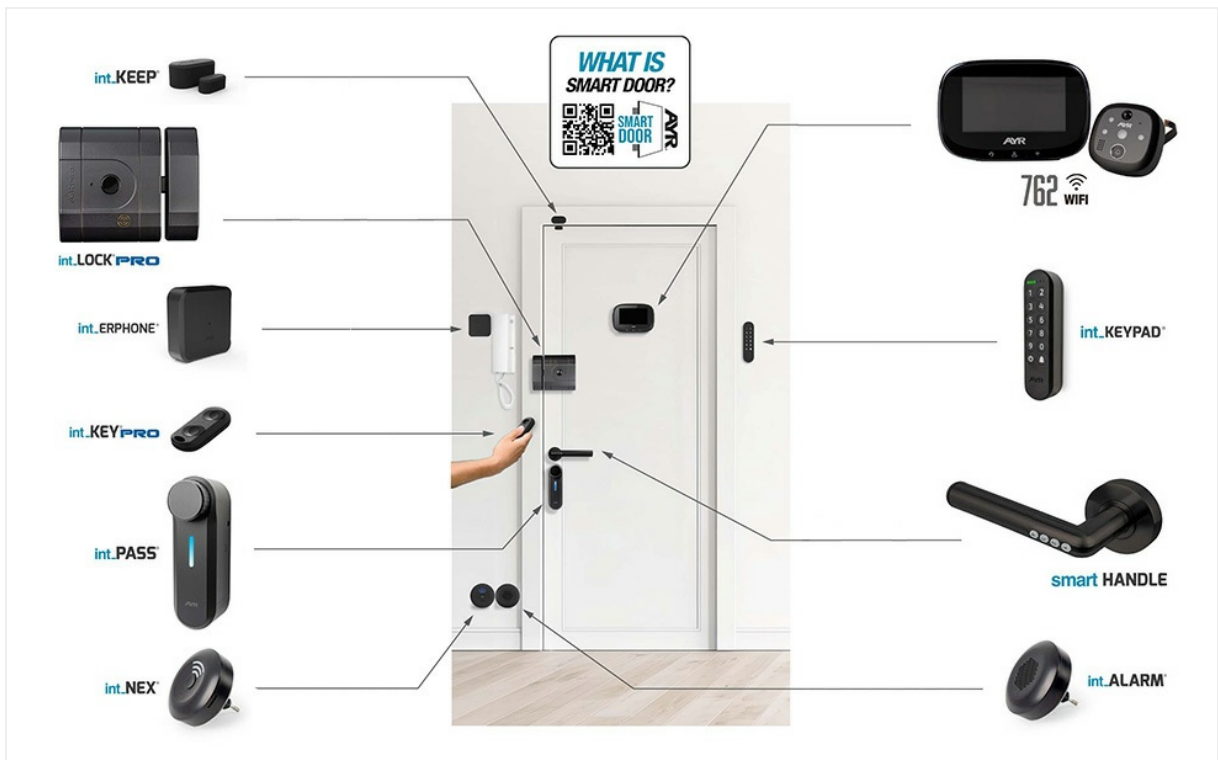


Figure 2: AYR Smart Door System Overview. This diagram illustrates how various AYR Smart Door components, including the INT_Key Pro, integrate to form a comprehensive smart access system.

5. OPERATING INSTRUCTIONS

5.1. Opening and Closing the Door

The INT_Key Pro remote features two distinct buttons for controlling your Smart Door:

- Press the **top button** to open your paired AYR Smart Door product.
- Press the **bottom button** to close your paired AYR Smart Door product.

Ensure you are within Bluetooth range of your Smart Door product for reliable operation. A slight delay of 1-2 seconds may occur between pressing the button and the door's response.

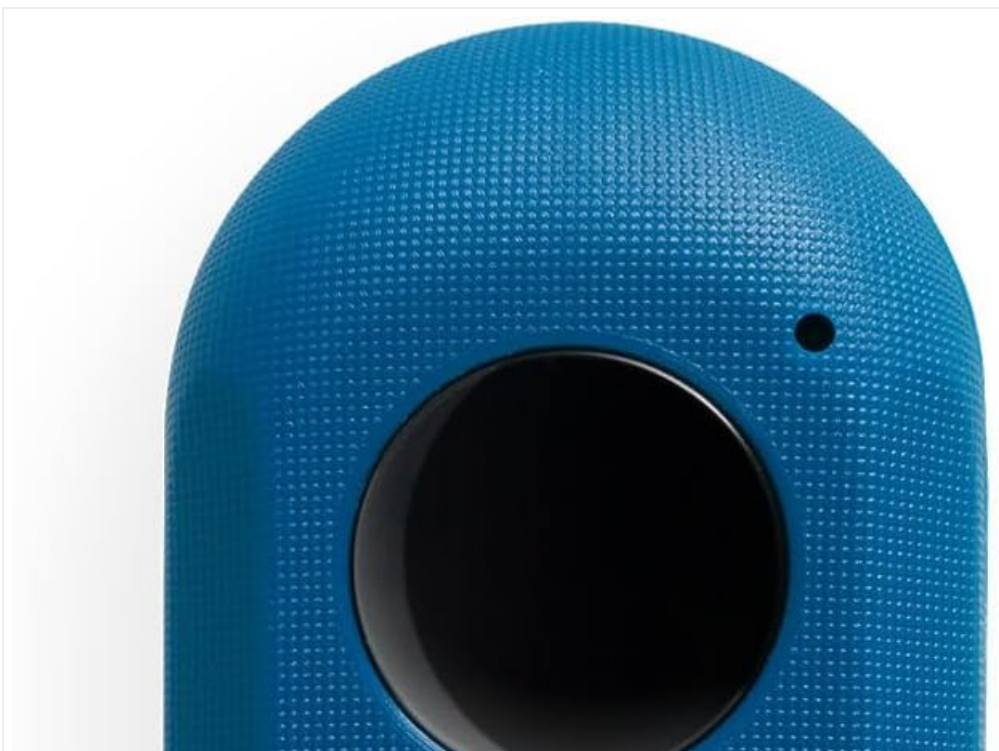




Figure 3: Front view of the INT_Key Pro. This image displays the remote control from a direct overhead perspective, clearly showing the two black control buttons and the AYR logo.

5.2. Activating the Alarm

For compatible AYR Smart Door devices that support an alarm function, the INT_Key Pro can be used to activate it. Refer to the specific instructions provided with your AYR Smart Door product or within the AYR application for the exact button sequence or method to trigger the alarm.

6. MAINTENANCE

6.1. Battery Replacement

When the remote's performance diminishes, the range decreases, or it stops responding, it may be time to replace the CR2032 3V battery.

1. Carefully open the remote casing. Refer to the product diagram for potential opening points.
2. Remove the old CR2032 battery.

3. Insert a new CR2032 battery, ensuring the correct polarity (+ side up).
4. Close the remote casing securely.

Dispose of old batteries responsibly according to local regulations.

6.2. Cleaning

Wipe the remote control with a soft, dry cloth. Avoid using abrasive cleaners, solvents, or liquids, as these can damage the device's finish or internal components.

7. TROUBLESHOOTING

- **Remote not responding or intermittent operation:**
 - **Check Battery:** Ensure the CR2032 battery is correctly installed and has sufficient charge. Replace the battery if it is low or depleted.
 - **Range:** Move closer to the AYR Smart Door product. Bluetooth signals can be affected by distance and obstructions.
 - **Pairing:** Verify that the remote is correctly paired with your Smart Door product via the AYR application. If necessary, attempt to re-pair the device.
 - **Interference:** Minimize potential sources of wireless interference (e.g., other Bluetooth devices, Wi-Fi routers) near the remote and the Smart Door product.
- **Malfunction when paired with multiple devices:**
 - Some users have reported issues when attempting to control multiple Smart Door devices with a single remote. If you experience inconsistent behavior, consider using separate INT_Key Pro remotes for each Smart Door product. For multi-device pairing best practices, consult AYR customer support.
- **Poor range or remote must be very close to the door to operate:**
 - This often indicates a weak battery. Replace the CR2032 battery with a new one.
 - Ensure there are no significant physical obstructions (e.g., thick walls, metal objects) directly between the remote and the Smart Door product.

If these troubleshooting steps do not resolve the issue, please contact AYR customer support for further assistance.

8. SPECIFICATIONS

| | |
|--------------------------------|------------------------------------|
| Brand | AYR |
| Model Number | 151 |
| Dimensions (L x W x H) | 6.8 x 2.95 x 1.3 cm |
| Weight | 22 grams |
| Power Source | Battery powered |
| Battery Type | 1 x CR2032 3V Lithium (included) |
| Battery Life | Approximately 16 months |
| Connectivity Technology | Bluetooth 5.0 Low Energy, Wireless |
| Control Method | Application, Buttons |

| | |
|----------------------------|-------------------------|
| Compatible Devices | AYR Smart Door products |
| Installation Method | Wireless DIY |
| Color | Blue |
| Country of Origin | Spain |

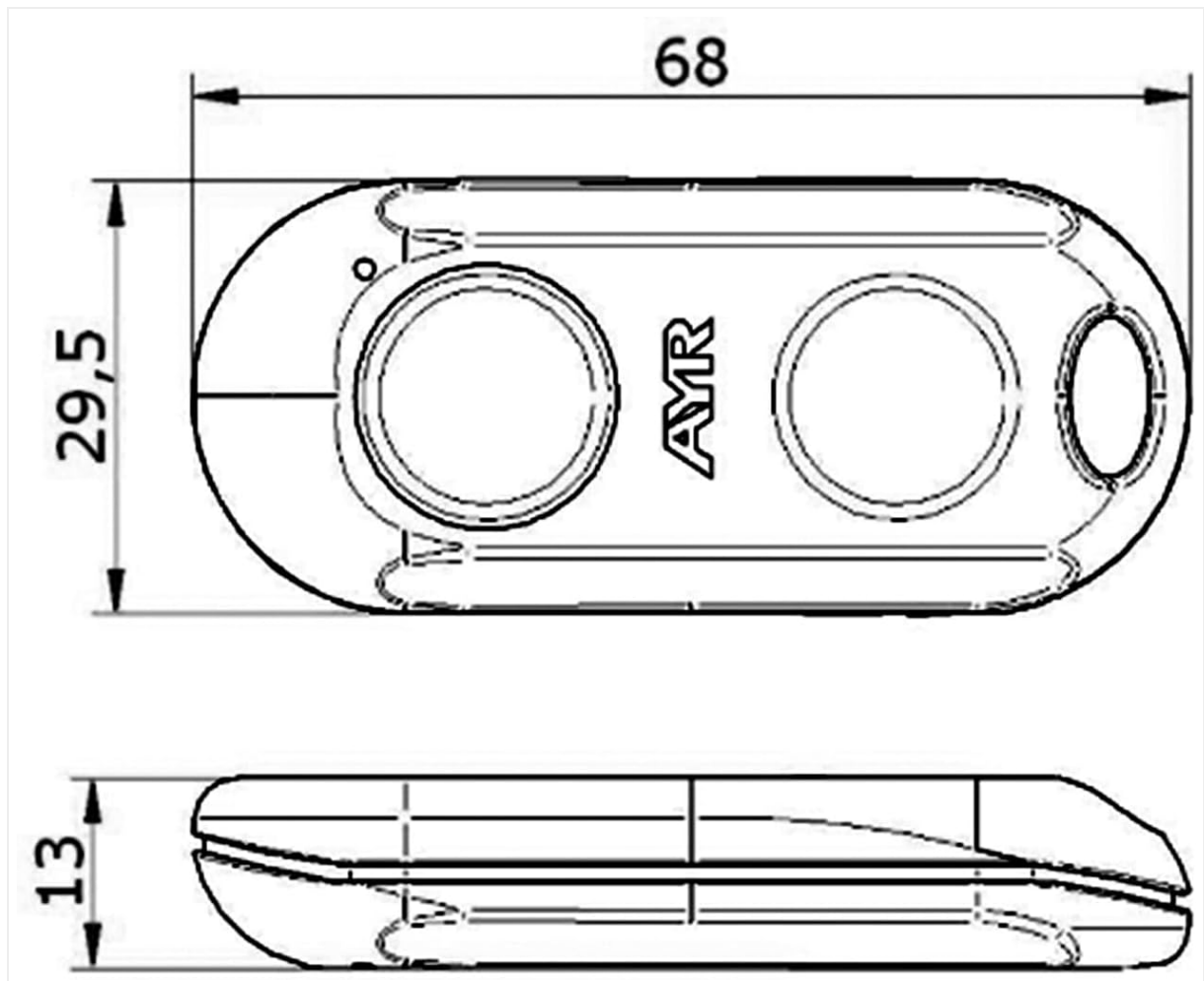


Figure 4: Dimensions of the INT_Key Pro. This technical drawing illustrates the length, width, and thickness of the remote control in millimeters.

9. WARRANTY AND SUPPORT

AYR ensures the availability of spare parts for the INT_Key Pro for a period of 5 years from the date of purchase. For technical support, warranty claims, or any further assistance regarding your AYR INT_Key Pro remote control, please contact AYR customer service. Refer to the official AYR website (www.ayr.es) or your product packaging for the most current contact details and support information.