

[Manuals.plus](#) /

> [VOLISUN](#) /

> VOLISUN Caged Fandelier with Light and Remote (Model: 19.7 Inch) Instruction Manual

VOLISUN 19.7 Inch Caged Fandelier

VOLISUN Caged Fandelier with Light and Remote (Model: 19.7 Inch) Instruction Manual

Comprehensive guide for setup, operation, and maintenance.

1. INTRODUCTION

Thank you for choosing the VOLISUN Caged Fandelier. This instruction manual provides detailed guidance for the safe installation, operation, and maintenance of your new ceiling fan with integrated lighting. Please read this manual thoroughly before beginning installation or use, and retain it for future reference.

This product combines the functionality of a ceiling fan with the aesthetic of a light fixture, featuring a caged design and remote control capabilities. It is designed for indoor use in various rooms such as bedrooms, kitchens, and living rooms.

2. IMPORTANT SAFETY INFORMATION

To reduce the risk of fire, electric shock, or personal injury, always follow these basic precautions:

- Read all instructions carefully before installation and use.
- Ensure the electrical supply is disconnected at the circuit breaker or fuse box before beginning installation or performing any maintenance.
- All electrical connections must be in accordance with local codes, ordinances, or national electrical codes. If you are unfamiliar with electrical wiring, consult a qualified electrician.
- The mounting structure must be capable of supporting the weight of the fan (approximately 4.72 kg).
- Do not operate the fan with damaged wiring or if the fan is visibly damaged.
- Avoid placing objects in the path of the fan blades.
- Use only E26 bulbs as specified: Incandescent light bulb - Max 60W, LED light bulb - Max 10W.

3. PACKAGE CONTENTS

Verify that all components are present and undamaged before proceeding with installation.

- Caged Fandelier Unit

- Remote Control
- 4 x 4000K Edison Bulbs (E26 base)
- Mounting Hardware Kit
- 4-inch Downrod
- 8-inch Downrod
- User Manual

19.7" CAGED CEILING FAN

Decorate your home



E26*4 Bulb Base



4000K Bulbs
included

1050
DAYS

Manufacturer services

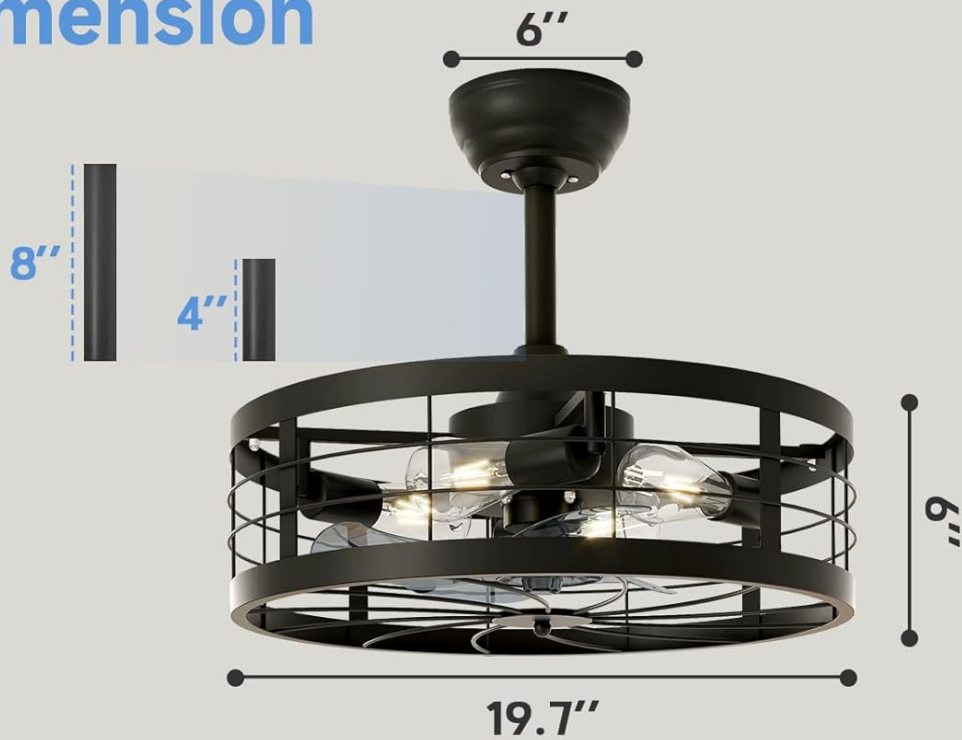
Image 1: The VOLISUN 19.7 inch Caged Ceiling Fan, showcasing its design in a kitchen setting. The image also highlights the inclusion of four E26 base 4000K bulbs and information regarding manufacturer services.

4. PRODUCT SPECIFICATIONS

Brand	VOLISUN
Model	Caged Fandelier (19.7 Inch)

Dimensions	50.04 cm (19.7 in) Diameter x 15.24 cm (6 in) Height (without downrod)
Weight	4.72 kg
Voltage	110 Volts AC
Light Bulb Type	E26 Base (4 bulbs included)
Recommended Bulb Wattage	Incandescent: Max 60W, LED: Max 10W
Color Temperature (Included Bulbs)	4000K
Fan Speeds	6
Noise Level	30 Decibels
Control Method	Remote Control, APP Control
Special Features	Adjustable Height (4" and 8" downrods), Forward/Reverse Rotation, Memory Function, Timer Settings
Material	Metal, Acrylonitrile Butadiene Styrene
Mounting Type	Ceiling Mount

Dimension



Low Ceiling



High Ceiling

Image 2: Dimensional diagram of the fandelier, illustrating its 19.7-inch diameter and 6-inch height. It also shows the two included downrod options (4-inch and 8-inch) for adapting to different ceiling heights, with visual examples for low and high ceiling installations.

5. SETUP AND INSTALLATION

The VOLISUN Caged Fandelier features simplified installation with most components pre-assembled. However, professional installation is recommended if you are not experienced with electrical wiring.

5.1 Before You Begin

- Turn off power at the circuit breaker.
- Gather necessary tools (screwdriver, wire strippers, ladder, etc.).
- Ensure the mounting location can support the fan's weight.

5.2 Mounting the Fan

1. Secure the mounting bracket to the ceiling junction box using the provided screws. Ensure it is firmly attached.

2. Choose the appropriate downrod (4-inch or 8-inch) for your ceiling height.
3. Feed the electrical wires from the fan through the chosen downrod.
4. Attach the downrod to the fan motor assembly and secure it with the pin and screw.
5. Carefully lift the fan assembly and hang it on the mounting bracket.

5.3 Electrical Connections

Connect the wires according to the following color codes:

- **Black (Live/Hot)** to Black (Fan)
- **White (Neutral)** to White (Fan)
- **Green/Bare Copper (Ground)** to Green/Bare Copper (Fan)

Secure all wire connections with wire nuts and ensure they are properly insulated.

5.4 Installing Bulbs

Screw the four included 4000K Edison bulbs into the E26 sockets. Do not overtighten.

5.5 Final Assembly

Attach the canopy to the mounting bracket, sliding it up to the ceiling and securing it with the provided screws.

6. OPERATING INSTRUCTIONS

Your VOLISUN Caged Fandelier can be controlled via the included remote control or a dedicated smartphone application.

6.1 Remote Control Operation

The remote control allows for comprehensive control over the fan and light functions.

- **Power On/Off:** Press the power button to turn the fan and light on or off.
- **Fan Speed:** Select from 6 distinct wind speed levels using the numbered buttons (1-6).
- **Light On/Off:** Control the light independently.
- **Forward/Reverse Rotation:** Adjust the fan's direction for seasonal comfort. Forward rotation (counter-clockwise) is ideal for cooling, while reverse rotation (clockwise) helps circulate warm air in winter.
- **Timer Function:** Set the fan to automatically turn off after 1, 2, 4, or 8 hours.
- **Memory Function:** The fan will remember your last settings for fan speed and light when turned back on.



Image 3: The VOLISUN Caged Fandelier, illustrating its control methods including the physical remote control and a smartphone application interface. This image highlights the convenience of managing fan speeds and lighting settings.

6.2 APP Control (Optional)

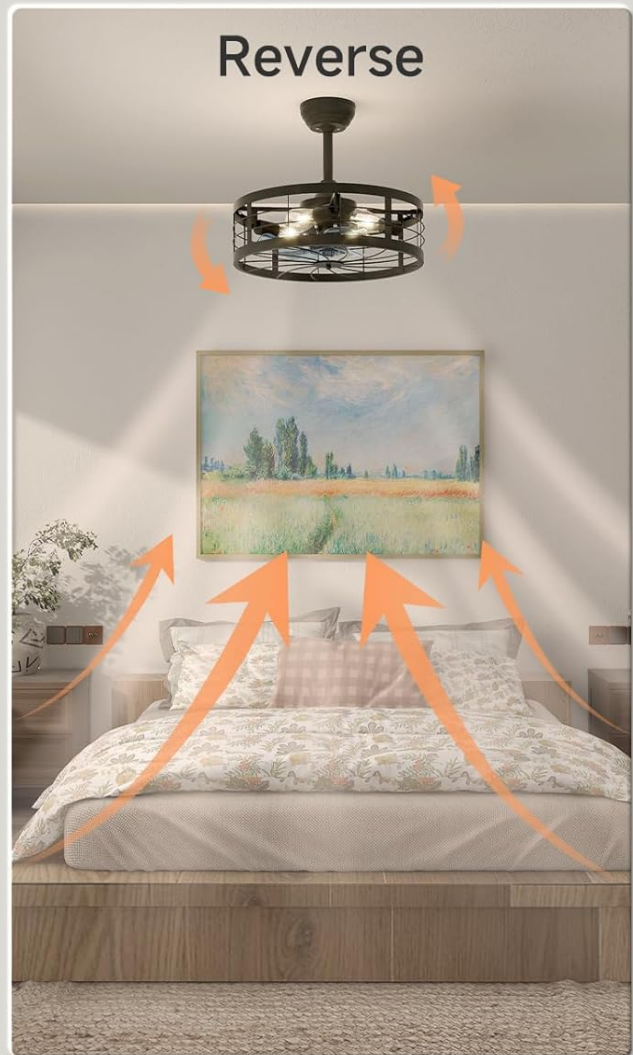
Download the compatible smartphone application (refer to the packaging or product website for app details) to control your fandelier from your mobile device. The app offers the same functionalities as the remote control, including fan speed adjustment, light control, rotation direction, and timer settings.

6.3 Seasonal Operation

SUITABLE FOR ALL SEASONS



1. Cool down the room
2. Improve air quality



1. Warm up the room
2. Reduce the humidity

Image 4: A visual guide demonstrating the two modes of fan operation: forward and reverse. Forward rotation is shown to cool the room and improve air quality, suitable for warmer seasons. Reverse rotation is depicted as warming the room and reducing humidity, ideal for cooler seasons.

- **Summer Mode (Forward Rotation):** The fan blades rotate counter-clockwise, pushing air downwards to create a cooling breeze. This helps to cool the room and improve air circulation.
- **Winter Mode (Reverse Rotation):** The fan blades rotate clockwise, drawing air upwards. This circulates warm air trapped near the ceiling throughout the room, helping to warm the space and reduce humidity.

7. MAINTENANCE

Regular maintenance ensures optimal performance and extends the lifespan of your fandelier.

7.1 Cleaning

- Always turn off power at the circuit breaker before cleaning.
- Wipe the fan and light fixture with a soft, damp cloth. Do not use abrasive cleaners or solvents.

- Ensure no moisture enters the motor housing or electrical components.

7.2 Bulb Replacement

- Turn off power and allow bulbs to cool before replacing.
- Replace with E26 base bulbs, adhering to the maximum wattage specifications (Incandescent: Max 60W, LED: Max 10W).

7.3 General Care

- Periodically check all connections and mounting screws to ensure they remain secure.
- The fan motor is permanently lubricated and does not require oiling.

8. TROUBLESHOOTING

If you experience issues with your VOLISUN Caged Fandelier, refer to the following common problems and solutions:

Problem	Possible Cause	Solution
Fan does not start	No power supply; Loose wire connections; Remote control battery low/dead.	Check circuit breaker; Verify all wire connections are secure; Replace remote control batteries.
Light does not work	Loose bulb; Faulty bulb; Loose wire connections.	Tighten bulbs; Replace bulbs; Check light fixture wiring.
Fan is noisy	Loose mounting screws; Unbalanced fan blades; Obstruction.	Tighten all mounting screws; Ensure fan blades are balanced (if applicable, though this model is bladeless, check for loose internal components); Remove any obstructions.
Remote control not responding	Low/dead battery; Remote not paired; Obstruction between remote and receiver.	Replace remote batteries; Refer to pairing instructions (if applicable, usually automatic); Ensure clear line of sight.
App control not working	Incorrect app setup; Wi-Fi connectivity issues; App version outdated.	Review app setup instructions; Check Wi-Fi connection; Update app to the latest version.

If the problem persists after attempting these solutions, please contact VOLISUN customer support.

9. WARRANTY AND CUSTOMER SUPPORT

VOLISUN provides a comprehensive **3-year service** for this Caged Fandelier. This warranty covers malfunctions or defects that may occur within three years from the date of purchase.

For warranty claims, technical assistance, or any inquiries, please contact VOLISUN customer support through the retailer where the product was purchased or refer to the contact information provided on the product packaging or official VOLISUN website.

Please have your purchase receipt and product model number (19.7 Inch Caged Fandelier) available when contacting support.



