



Manuals.plus /

› KLARSTEIN /

› Klarstein 600 GPD Tankless Reverse Osmosis Water Filter System User Manual

## KLARSTEIN 600GDP

# Klarstein 600 GPD Tankless Reverse Osmosis Water Filter System

Model: 600GDP

## INTRODUCTION

This manual provides essential information for the installation, operation, and maintenance of your Klarstein 600 GPD Tankless Reverse Osmosis Water Filter System. Please read it thoroughly before use and keep it for future reference. The Klarstein reverse osmosis system features a 5-stage filtration process, combining a PPC composite pre-filter and an ultra-efficient RO membrane. It is designed to remove over 1000 types of harmful impurities, including lead, chlorine, fluoride, heavy metals, and more, achieving up to 99.99% water purity. Its tankless design saves up to 70% space compared to traditional RO systems.

## IMPORTANT SAFETY INSTRUCTIONS

- Ensure all connections are secure to prevent leaks.
- Do not expose the unit to direct sunlight or freezing temperatures.
- Only use genuine Klarstein replacement filters to maintain performance and warranty.
- Disconnect power before performing any maintenance or filter changes.
- This system is designed for cold water use only (max 38°C).
- Do not use with water that is microbiologically unsafe or of unknown quality without adequate disinfection before or after the system.

## PACKAGE CONTENTS

Carefully unpack the box and ensure all items are present and undamaged:

- RO Water Filtration System Unit (main device)
- PPC Composite Filter Cartridge
- RO Membrane Filter Cartridge

- Kitchen Faucet
- Multilingual User Guide
- Installation Accessories (tubing, connectors, etc.)

## Système complet

---

### Système de filtre à eau



### Cartouches filtrantes



### Robinet d'eau



Image: Overview of the complete Klarstein RO water filter system, including the main filtration unit, two filter cartridges (PPC and RO), and the dedicated kitchen faucet.

## SETUP AND INSTALLATION

---

The Klarstein 600 GPD system is designed for under-sink installation and offers a space-saving, tankless design. Professional installation is recommended, but the system comes with all necessary components for a quick setup.

### 1. Planning the Installation Location

Choose a location under your sink that provides sufficient space for the main unit and allows easy access for filter replacement. Consider the dimensions of the unit and faucet for optimal placement.

## Conception sans réservoir et mince

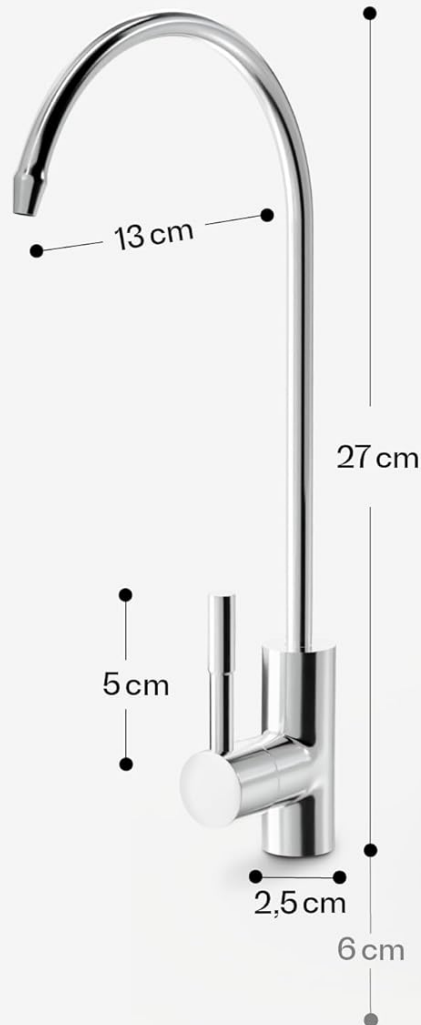
Installation simple dans tous les meubles d'évier courants

  
KLARSTEIN



Image: The Klarstein RO system installed discreetly under a kitchen sink, demonstrating its compact, tankless design that saves up to 70% space.

## Installation de robinet monotrou



  
**KLARSTEIN**

Image: Detailed dimensions of the main filtration unit (39.2 cm L x 13.5 cm W x 39.3 cm H) and the single-hole kitchen faucet, crucial for planning installation space.

## 2. Installing the Faucet

Install the dedicated kitchen faucet on your sink or countertop. A standard single-hole installation is required. Ensure the faucet is securely mounted and sealed to prevent leaks.

## 3. Connecting the Water Lines

Connect the inlet water line from your cold water supply to the RO system. Connect the purified water line from the RO system to the new faucet. Connect the drain line from the RO system to your sink's drain pipe. Refer to the detailed diagrams in the included multilingual user guide for specific connection points.

## 4. Installing Filter Cartridges

The system comes with separate PPC and RO filter cartridges. Insert them into their respective slots in the main unit. The cartridges are designed for easy, 2-second twist-in replacement.

## Filtres longue durée

Changements de filtre faciles et rapides grâce aux voyants lumineux

Filtre PPC jusqu'à 1 an

Filtre OI jusqu'à 2 ans



  
**KLARSTEIN**

Image: A visual guide demonstrating the simple twist-and-lock mechanism for replacing the filter cartridges, making maintenance quick and effortless.

### 5. Power Connection and Initial Flush

Plug the system into a power outlet. Before first use, perform an initial flush to rinse the new filters. Turn on the faucet and let water run for approximately 10-15 minutes or until the water runs clear and free of air bubbles. This ensures optimal filter performance and removes any manufacturing residues.

## OPERATING INSTRUCTIONS

Your Klarstein RO system is designed for simple operation. Once installed and flushed, it provides purified water on demand.

### 1. Dispensing Water

Simply open the dedicated RO faucet to dispense purified water. The system delivers water quickly, providing a glass of

filtered water in approximately 12 seconds, with a flow rate of up to 1.56 liters per minute.

## Débit d'eau élevé

---

Filtration de l'eau  
en 12 secondes avec  
jusqu'à 2270 litres par jour

Taux de filtration

1:2

Eau pure : Eaux usées



KLARSTEIN

1,5 litres /  
minute

Image: Demonstrates the system's high water flow, capable of delivering 1.5 liters per minute, and its efficient 1:2 pure water to wastewater ratio.

## 2. Understanding the Filtration Process

The system employs a 5-stage filtration process using two integrated filters:

1. **PP Filter:** Removes sediment, rust, and other large particles.
2. **Activated Carbon Filter:** Absorbs chlorine, organic chemicals, and odors.
3. **High-Precision PP Filter:** Further removes finer particles.
4. **RO Membrane Filter:** The core of the system, removing dissolved solids, heavy metals, bacteria, and viruses down to 0.0001 micron.
5. **Post-Carbon Filter:** Polishes the water for improved taste and odor.



Image: A detailed diagram showing the five distinct filtration stages (PP, Activated Carbon, High-Precision PP, RO, Carbon) contained within the two filter cartridges, ensuring 99.99% water purity.

### 3. TDS Meter

The integrated TDS (Total Dissolved Solids) meter allows you to monitor the water quality and the effectiveness of your filters. A lower TDS reading indicates purer water. Consult the main unit's display or indicators for current TDS levels.

## MAINTENANCE

Regular maintenance, primarily filter replacement, is crucial for ensuring the continued performance and purity of your water.

### 1. Filter Replacement Indicators

The system features automatic filter life indicators and flashing reminder lights. These indicators will alert you when it's time to replace a filter, preventing the use of expired filters and potential contamination.

## 2. Filter Lifespan

- **PPC Composite Filter:** Up to 1 year
- **RO Membrane Filter:** Up to 2 years

*Note: Filter lifespan can vary depending on local water quality and usage volume.*



Image: The system's filter replacement mechanism, highlighting the easy twist-in cartridges and the indicator lights that signal when a filter needs changing. PPC filter lasts up to 1 year, RO filter up to 2 years.



Image: Dimensions of the individual filter cartridges (10.5 cm diameter, 31.3 cm height), useful for identifying and purchasing correct replacements.

### 3. Replacing Filters

1. Turn off the water supply to the RO system.
2. Unplug the power cord.
3. Twist the old filter cartridge counter-clockwise to remove it.
4. Insert the new filter cartridge and twist clockwise until secure.
5. Plug in the power cord and turn on the water supply.
6. Flush the new filter by running water from the faucet for several minutes as per initial setup.
7. Reset the filter life indicator if applicable (refer to the main unit's controls).

### TROUBLESHOOTING

If you encounter issues with your Klarstein RO system, refer to the following common problems and solutions:

Problem	Possible Cause	Solution
No water or slow flow from faucet	Water supply turned off Clogged filters Low water pressure Air in the system	Check water supply valve. Check filter indicators; replace filters if due. Ensure adequate inlet water pressure. Flush the system to remove air.
Poor water taste or odor	Expired filters Initial flush not completed	Replace filters, especially the carbon filters. Perform a thorough system flush.
Water leakage	Loose connections Damaged O-rings or tubing Improperly installed filters	Check and tighten all connections. Inspect O-rings and tubing for damage; replace if necessary. Ensure filters are correctly seated and twisted securely.
High TDS reading	Expired RO membrane RO membrane not properly seated	Replace the RO membrane filter. Re-seat the RO membrane filter.

If the problem persists, please contact Klarstein customer support for assistance.

## SPECIFICATIONS

Feature	Detail
Model Name	600GDP
Product Dimensions (L x W x H)	39.5 x 13.5 x 39.5 cm
Weight	12 kg
Capacity	600 Gallons Per Day (GPD)
Max Flow Rate	1.56 Liters per minute (approx. 0.41 GPM)
Filtration Stages	5 Stages (PPC Composite, RO Membrane)
Water Purity	Up to 99.99%
Wastewater Ratio (Pure:Drain)	1:2
Max Inlet TDS	1000 PPM
Max Water Temperature	38°C
PPC Filter Lifespan	Up to 1 year
RO Filter Lifespan	Up to 2 years
Special Features	Filter change indicator, Integrated TDS meter, Tankless design
Installation Type	Under-sink
Power Source	Electric cable

## WARRANTY AND SUPPORT

---

Klarstein products are manufactured with quality and reliability in mind. This product includes a 2-year availability of spare parts, ensuring long-term support for your system.

For technical support, warranty claims, or to purchase genuine replacement filters, please contact Klarstein customer service. Refer to the contact information provided in your multilingual user guide or visit the official Klarstein website.

*Please retain your proof of purchase for warranty purposes.*