

[Manuals.plus](#) /

› [Beko](#) /

› Beko Reversible Door Inversion Kit - Model 4623901200 User Manual

## Beko 4623901200

# Beko Reversible Door Inversion Kit - Model 4623901200 User Manual

Brand: Beko | Model: 4623901200

## 1. INTRODUCTION

This manual provides detailed instructions for the installation and use of the Beko Reversible Door Inversion Kit, model 4623901200. This kit allows you to change the opening direction of your compatible Beko refrigerator door. Please read all instructions carefully before beginning the installation process to ensure proper function and safety.

## 2. IMPORTANT SAFETY INFORMATION

- Always disconnect the refrigerator from the power supply before beginning any installation or maintenance.
- Wear appropriate personal protective equipment, such as gloves, to prevent injury.
- If you are unsure about any step, consult a qualified technician or Beko customer service.
- Keep all small parts out of reach of children to prevent choking hazards.
- Handle refrigerator doors and components with care to avoid damage or injury.

## 3. PACKAGE CONTENTS

Please verify that all components listed below are present in your kit before proceeding with installation. Refer to the images for visual identification of parts.



**Image 1:** An overview of the Beko Reversible Door Inversion Kit, showing all included components such as hinges, plastic covers, and various pins and plugs, laid out on a white background.

- Upper Hinge Assembly (metal)
- Lower Hinge Assembly (metal)
- Various Plastic Hinge Covers
- Door Stop Pins/Plugs
- Other small fasteners and covers

#### 4. COMPATIBILITY

This door inversion kit is specifically designed for certain Beko refrigerator models. It is crucial to confirm that your appliance is compatible with this kit before attempting installation. Using this kit with an incompatible model may result in damage to the appliance or improper door function.

##### **Compatible Beko Refrigerator Models:**

- K60355NE RCNA355E21PT - 7514120065

If your model is not listed, please contact Beko customer service for assistance in determining compatibility.

#### 5. INSTALLATION INSTRUCTIONS

Follow these steps carefully to reverse the opening direction of your refrigerator door. It is recommended to have a second person assist with handling the door.

##### **1. Preparation:**

- Disconnect the refrigerator from the main power supply.
- Empty the refrigerator of all food items and shelves to reduce weight and prevent damage.
- Place a protective sheet or blanket on the floor to prevent scratching the refrigerator or flooring.

##### **2. Remove Existing Door:**

- Carefully remove the top hinge cover.
- Unscrew the top hinge from the refrigerator body. Support the door as you do this.
- Lift the door off the bottom hinge pin. Place the door on a protected surface.
- Remove the bottom hinge assembly from the refrigerator.

### 3. Transfer Components:

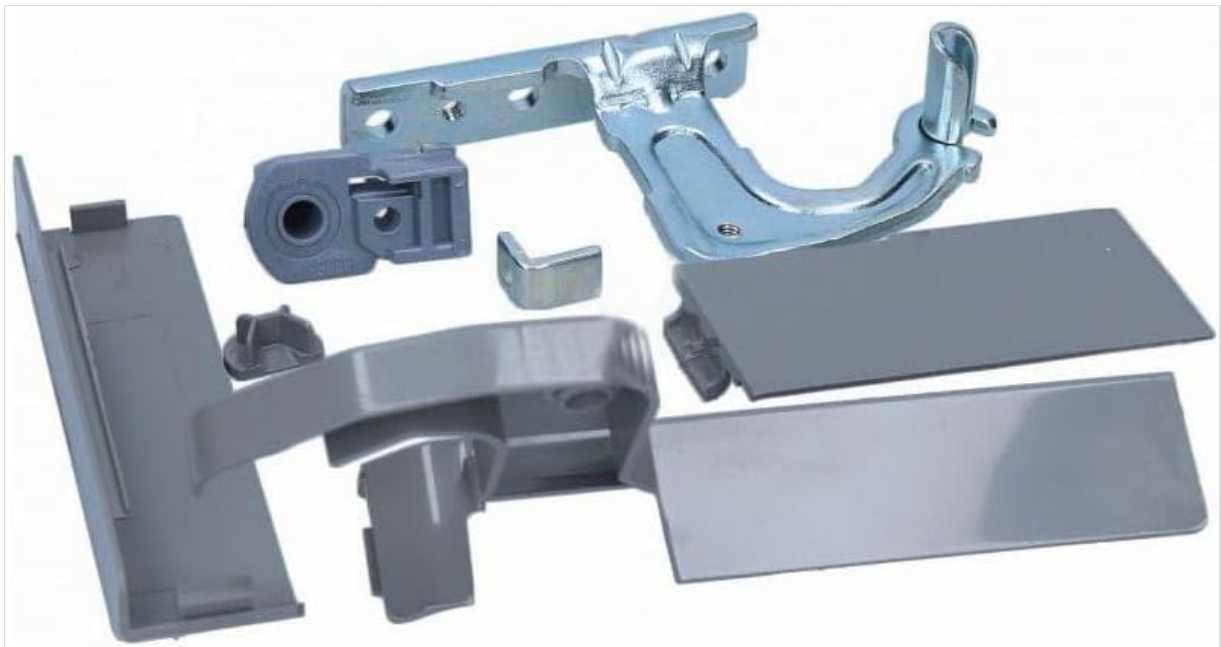
- If applicable, remove the door handle and reattach it to the opposite side of the door.
- Remove any plastic plugs or covers from the original hinge side of the door and refrigerator body, and insert them into the newly exposed holes on the opposite side.

### 4. Install New Hinges/Covers:

- Install the bottom hinge assembly from the kit onto the new desired side of the refrigerator, ensuring it is securely fastened.
- Place the door onto the bottom hinge pin.
- Install the top hinge assembly from the kit onto the new desired side, aligning it with the door and refrigerator body. Securely fasten all screws.
- Attach the plastic hinge covers to conceal the hinges.

### 5. Final Checks:

- Gently open and close the door several times to ensure it swings freely and seals properly. Adjust hinges if necessary.
- Reconnect the refrigerator to the power supply.
- Allow the refrigerator to stabilize for a few hours before reloading with food.



**Image 2:** A close-up view of several components from the kit, including the main metal hinges and various grey plastic covers, shown from an elevated angle.



**Image 3:** A different perspective of the kit components, focusing on the larger grey plastic hinge cover and the metal hinge, alongside smaller plastic plugs and metal clips.

## 6. SPECIFICATIONS

Attribute	Value
Brand	Beko
Model Number	4623901200
ASIN	B0CZ18SSGZ
First Available Date	May 23, 2024

## 7. WARRANTY AND CUSTOMER SUPPORT

For specific product warranty details, please refer to the documentation provided with your Beko appliance or contact Beko directly. This kit is a spare part, and its warranty may be subject to the terms of the original appliance or the retailer from which it was purchased.

For technical assistance, compatibility verification, or any questions regarding the installation of this kit, please contact Beko customer service. You may also reach out to the retailer for support regarding your purchase.

*Note: The seller of this product is a French specialist in appliance spare parts since 1984.*