



[Manuals.plus](#) /

> [QICBYING](#) /

> QICBYING Motorized Ceiling TV Mount Instruction Manual for Model ZG95215871 (100cm)

QICBYING ZG95215871

QICBYING Motorized Ceiling TV Mount Instruction Manual

Model: ZG95215871 (100cm)

1. INTRODUCTION

This manual provides detailed instructions for the safe and efficient installation, operation, and maintenance of your QICBYING Motorized Ceiling TV Mount, Model ZG95215871. This electric TV lift is designed to securely hold 26-70 inch televisions, offering adjustable height and flexible viewing options. Please read this manual thoroughly before installation and use, and retain it for future reference.

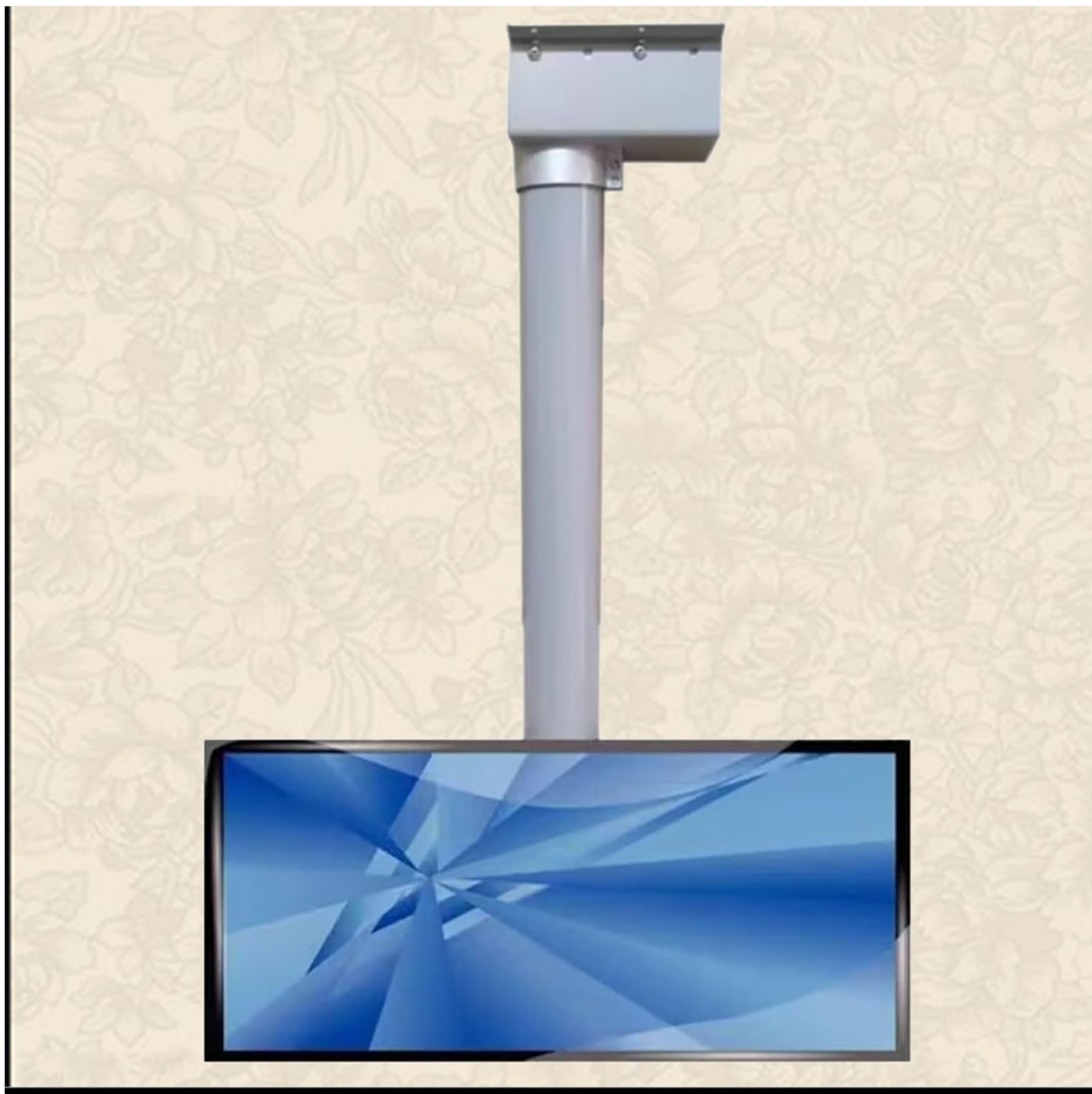


Image 1: The QICBYING Motorized Ceiling TV Mount with a television in the lowered position, demonstrating its primary function.

2. SAFETY INFORMATION

Always observe the following safety precautions to prevent injury or damage to the product and property:

- Ensure the mounting surface (ceiling or wall) can support the combined weight of the mount and your television.
- Do not exceed the maximum load capacity of 50 kg (110 lbs).
- Verify all connections are secure before operating the mount.
- Keep hands and objects clear of moving parts during operation.
- Do not attempt to modify the mount. Any modifications will void the warranty and may cause injury.
- Disconnect power before performing any maintenance or adjustments.
- This product contains electrical components. Avoid exposure to moisture or extreme temperatures.

3. PACKAGE CONTENTS

Please check that all components are present and undamaged:

- 1 x TV Ceiling Mount Unit
- 1 x Remote Control
- 1 x User Manual (this document)
- 1 x Mounting Hardware Kit (screws, anchors, etc.)

4. SPECIFICATIONS

| Feature | Specification |
|----------------------------------|---|
| Material | Cold rolled steel plate |
| Compatible TV Size | 26-70 inches |
| Maximum Load Capacity | 50 kg (110 lbs) |
| Voltage | 110-240V |
| Control Method | Remote control / Switch control |
| Installation Method | Ceiling mount (also adaptable for wall stand-up) |
| Telescopic Length (Model 100cm) | Physical Retracted Height: Approx. 75 cm (29.5 inches). Physical Extended Height: Approx. 175 cm (68.9 inches). Operational adjustable height range for TV: 39.5 cm (15.5 inches) to 69.5 cm (27.3 inches) from its fully retracted position. |
| Installation Hole Spacing (VESA) | Within 600x400MM |
| Item Model Number | ZG95215871 |
| Item Weight | 13.23 pounds (approx. 6 kg) |

Note: The '100cm' in the model name refers to a specific variant's overall telescopic length capability, while the operational adjustable height range indicates the actual travel distance for the TV.

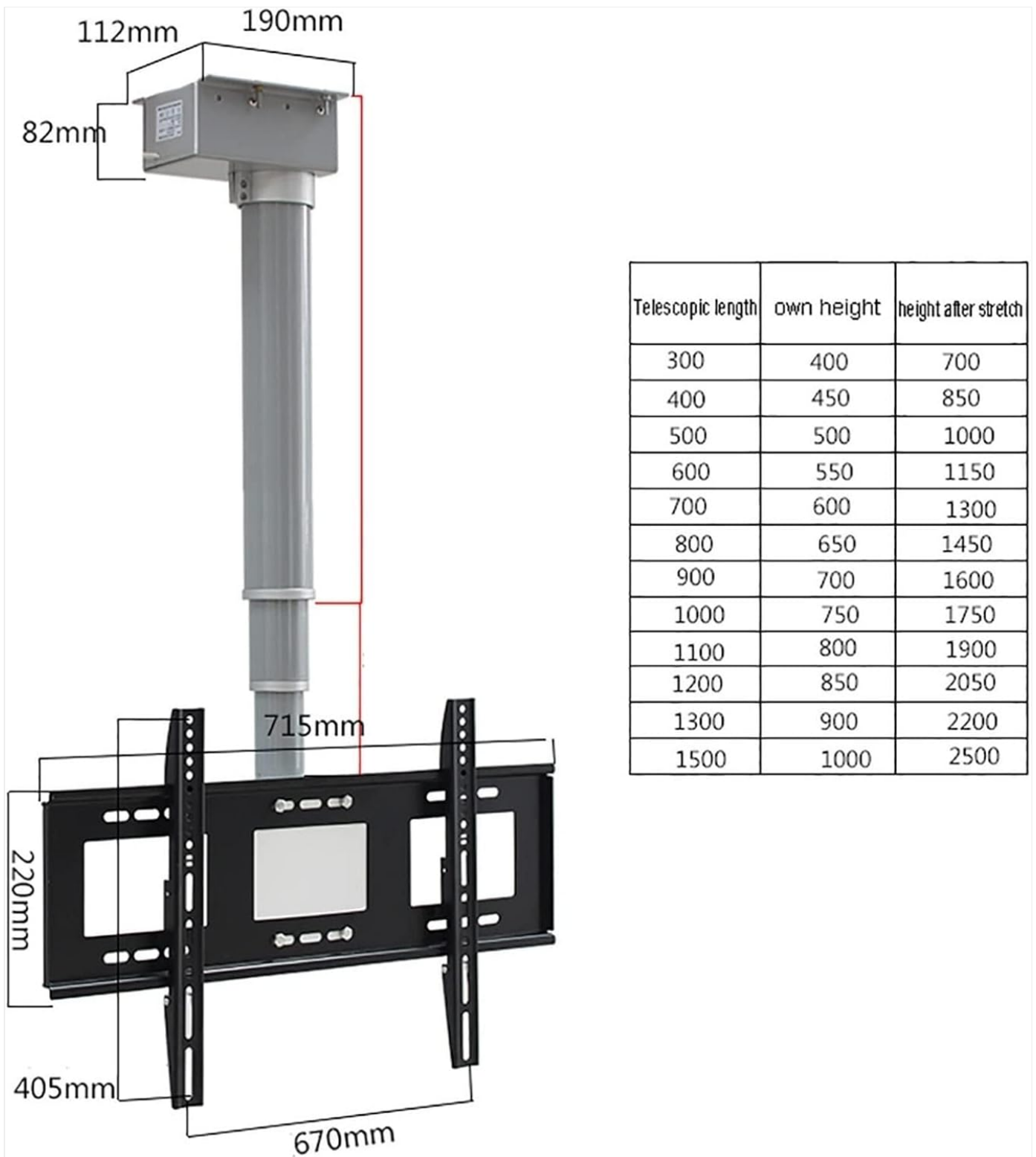


Image 2: Detailed dimensional diagram of the mount components and a table illustrating various telescopic lengths and their corresponding 'own height' (retracted) and 'height after stretch' (extended) values. This helps in understanding the physical dimensions and extension capabilities of different mount sizes.

5. SETUP AND INSTALLATION

Proper installation is crucial for the safety and functionality of your TV mount. It is recommended to have at least two people for installation.

5.1 Choosing an Installation Method

The QICBYING Motorized TV Mount supports two primary installation configurations:

1. **Ceiling Mount (Hoisting):** For installation directly onto a ceiling, allowing the TV to lower and retract.
2. **Floor/Wall Stand-up:** For installation where the mount extends upwards from a floor or low wall position.

Multiple installation methods

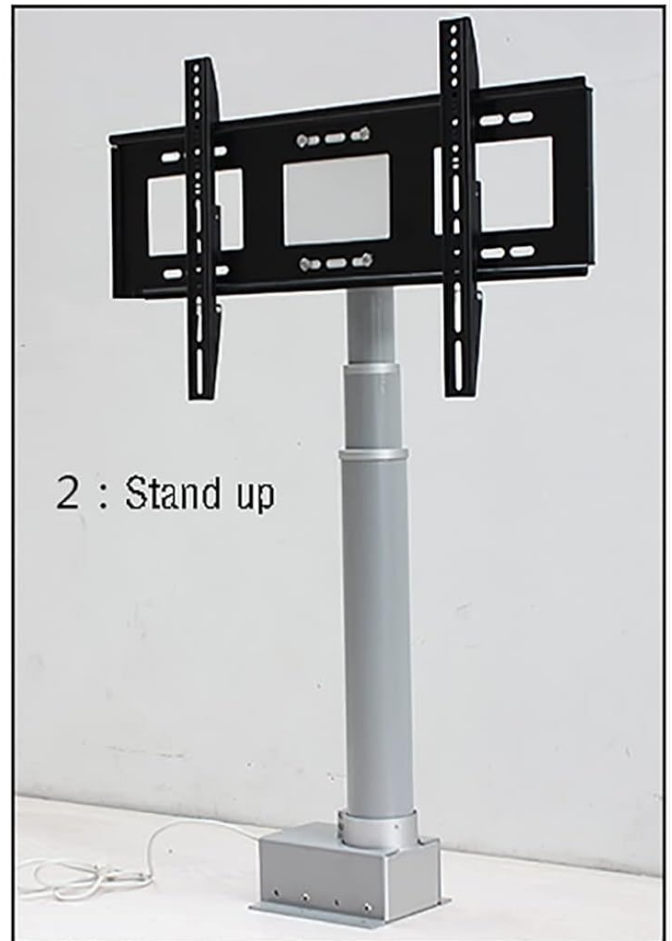
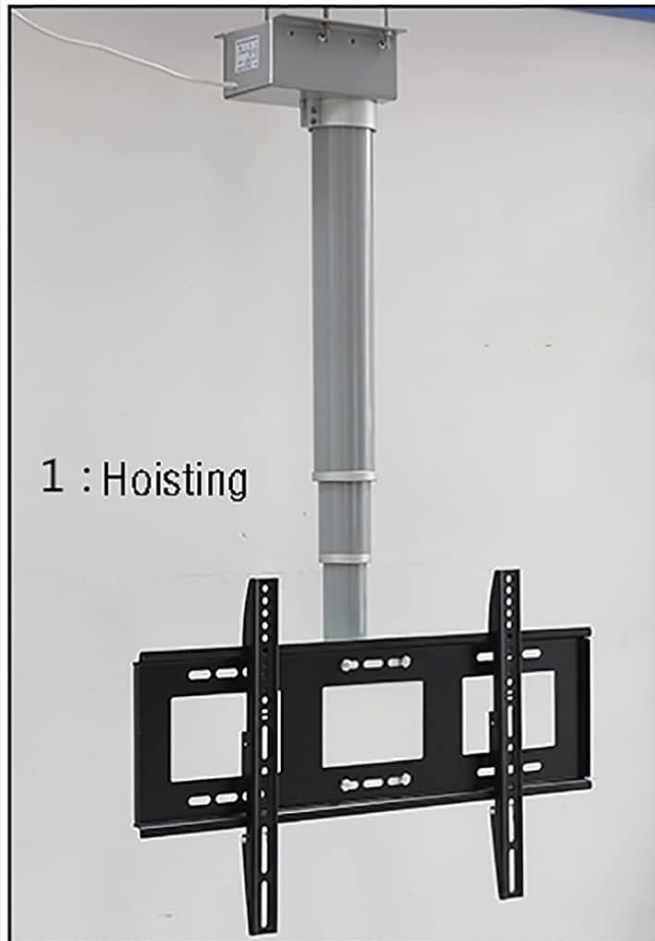


Image 3: Illustration of multiple installation methods. The left image shows the mount configured for hoisting from a ceiling, while the right image shows it configured to stand up from a floor or low wall, demonstrating its versatility.

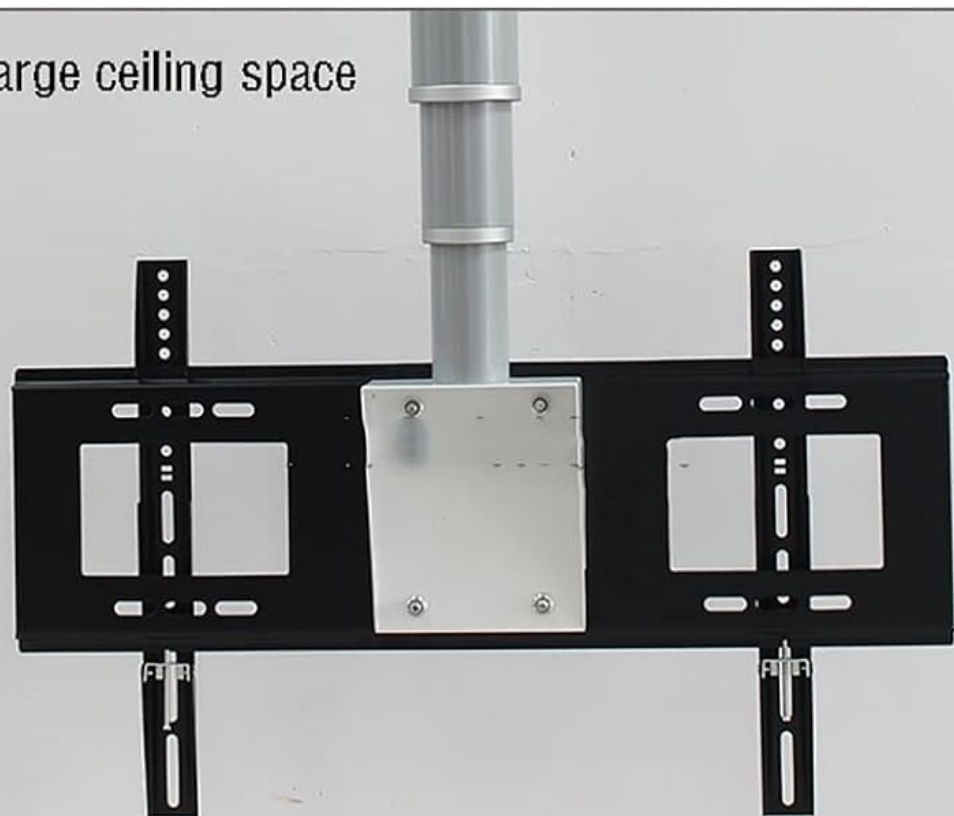
5.2 Ceiling Installation Considerations

The mount can be adapted for different ceiling spaces:

1. **Large Ceiling Space:** The main mounting plate can be positioned higher within a larger ceiling cavity.
2. **Small Ceiling Space:** The main mounting plate can be positioned lower, closer to the finished ceiling surface, suitable for more compact spaces.

Two installation methods

1 Large ceiling space



2 Small ceiling space

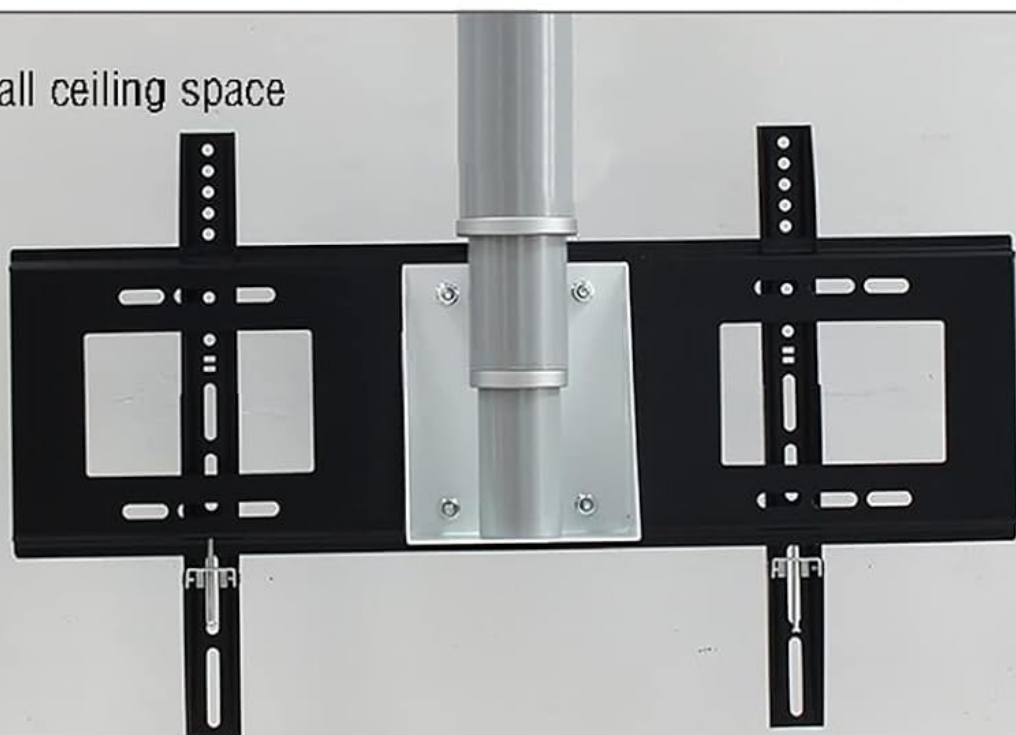


Image 4: Diagrams showing two different ceiling installation methods. The top diagram depicts installation in a large ceiling space, allowing the mount to be recessed further. The bottom diagram shows installation in a small ceiling space, where the mount is closer to the ceiling surface.

5.3 General Installation Steps (Summary)

1. **Locate Mounting Point:** Identify a sturdy ceiling joist or wall stud capable of supporting the weight. Use a stud finder if necessary.
2. **Mark Drilling Holes:** Use the mounting plate as a template to mark the precise drilling locations.
3. **Drill Pilot Holes:** Drill pilot holes according to the size specified in the mounting hardware kit.
4. **Secure Mount:** Attach the main mount unit to the ceiling/wall using the provided screws and anchors. Ensure it is firmly secured.
5. **Attach TV Brackets:** Secure the TV mounting brackets to the back of your television using the appropriate VESA screws from the hardware kit. Ensure the VESA pattern (up to 600x400MM) matches.
6. **Mount TV to Unit:** Carefully lift the TV and hook the TV brackets onto the main mount unit. Secure with safety screws or clips as per the hardware kit instructions.
7. **Connect Power:** Plug the power adapter into the mount and then into a suitable power outlet (110-240V).

Refer to the detailed diagrams and instructions provided in the separate Mounting Hardware Kit for specific screw types and steps.

6. OPERATING INSTRUCTIONS

The QICBYING Motorized TV Mount offers convenient operation through two control methods.

6.1 Control Methods

You can control the TV mount using either the included remote control or the wired switch:

- **Remote Control:** Use the wireless remote for convenient operation from a distance.
- **Wired Switch:** An alternative control method, typically used for fixed installations or as a backup.

way to control



Image 5: Components for controlling the motorized TV mount, including the wireless remote control, the wired switch, and the power adapter.

6.2 Adjusting TV Height

The mount features an automatic lifting function, allowing for free height adjustment to achieve your desired viewing angle and space optimization.

- Press the **UP** button on the remote or switch to raise the TV.
- Press the **DOWN** button on the remote or switch to lower the TV.
- The mount will automatically stop at its maximum and minimum extension points.
- The adjustable height range for the 100cm model is approximately 39.5 cm to 69.5 cm (15.5 to 27.3 inches) from its fully retracted position.

Free height adjustment

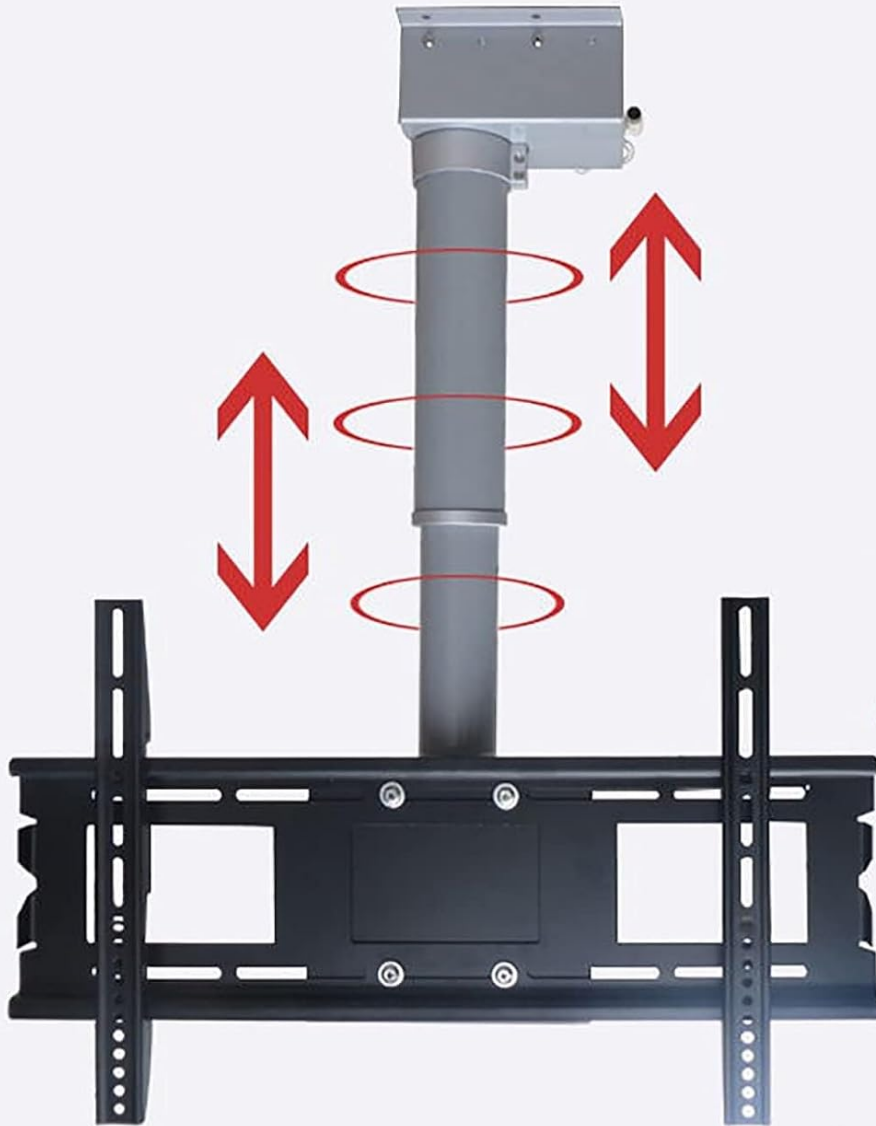


Image 6: A visual representation of the motorized TV mount's free height adjustment feature, indicated by red arrows showing vertical movement.

7. MAINTENANCE

Regular maintenance ensures the longevity and smooth operation of your motorized TV mount.

- **Cleaning:** Wipe the mount surfaces with a soft, dry cloth. Do not use abrasive cleaners or solvents.
- **Inspection:** Periodically check all mounting screws and connections to ensure they remain tight and secure.
- **Lubrication:** The internal motorized components are generally maintenance-free. Do not attempt to lubricate any parts unless specifically instructed by the manufacturer.
- **Power Cord:** Inspect the power cord for any signs of damage. If damaged, discontinue use and contact support.

8. TROUBLESHOOTING

If you encounter issues with your QICBYING Motorized TV Mount, refer to the following common troubleshooting steps:

- **Mount Not Moving:**

- Check if the power cord is securely plugged into both the mount and the power outlet.
- Verify the power outlet is functional by plugging in another device.
- Ensure the remote control batteries are not depleted. Replace if necessary.
- Try using the wired switch to rule out a remote control issue.

- **Unusual Noises During Operation:**

- Stop operation immediately.
- Inspect for any obstructions in the path of the moving parts.
- Check if the TV is securely attached and balanced.

- **Remote Control Not Responding:**

- Replace the remote control batteries.
- Ensure there are no obstructions between the remote and the mount's receiver.

If the problem persists after attempting these steps, please contact QICBYING customer support for further assistance.

9. WARRANTY AND SUPPORT

For specific warranty information, please refer to the documentation included with your purchase or contact QICBYING customer service. General support inquiries can be directed to the manufacturer's official channels.

Manufacturer: QICBYING

Model Number: ZG95215871

ASIN: B0CZVCBRY

10. APPLICATION SCENARIOS

The QICBYING Motorized Ceiling TV Mount is versatile and suitable for a wide range of environments, enhancing viewing experiences and optimizing space.

- Residential spaces: Living rooms, bedrooms, balconies, kitchens.
- Commercial environments: Offices, conference rooms, lobbies, hotel rooms, restaurants, cafes, gyms, grocery stores, bars, theaters, school classrooms, hospital wards.

Multifunctional hanger, free installation

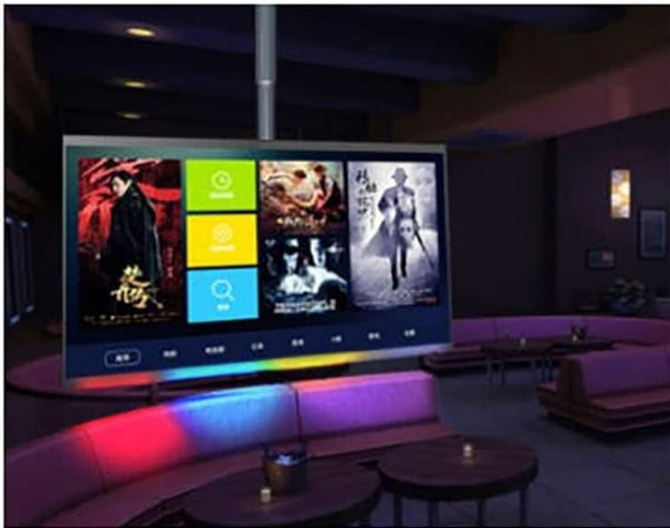


Image 7: Examples of the motorized TV mount installed in different settings, including a home entertainment area, a corporate office, a hotel room, and a public dining space, showcasing its adaptability.