



Manuals.plus /

› HUIOP /

› HUIOP 710W Corded Electric Jigsaw User Manual

## HUIOP MMUSE23366US-CJC

# HUIOP 710W Corded Electric Jigsaw User Manual

Model: MMUSE23366US-CJC

## INTRODUCTION

Thank you for choosing the HUIOP 710W Corded Electric Jigsaw. This manual provides essential information for the safe and effective operation, maintenance, and troubleshooting of your new tool. Please read this manual thoroughly before use and keep it for future reference.



Figure 1: HUIOP 710W Corded Electric Jigsaw and its packaging.

## SETUP

### 1. Unpacking and Inspection

Carefully remove the jigsaw and all accessories from the packaging. Inspect the tool for any signs of damage during transit. Ensure all components listed in the package contents are present:

- 1 x HUIOP Jigsaw
- 1 x Allen Wrench
- 1 x Dust Vacuum Adaptor
- 4 x Blades
- 1 x Guide Ruler

## 0-45° TO CUT THE WOOD

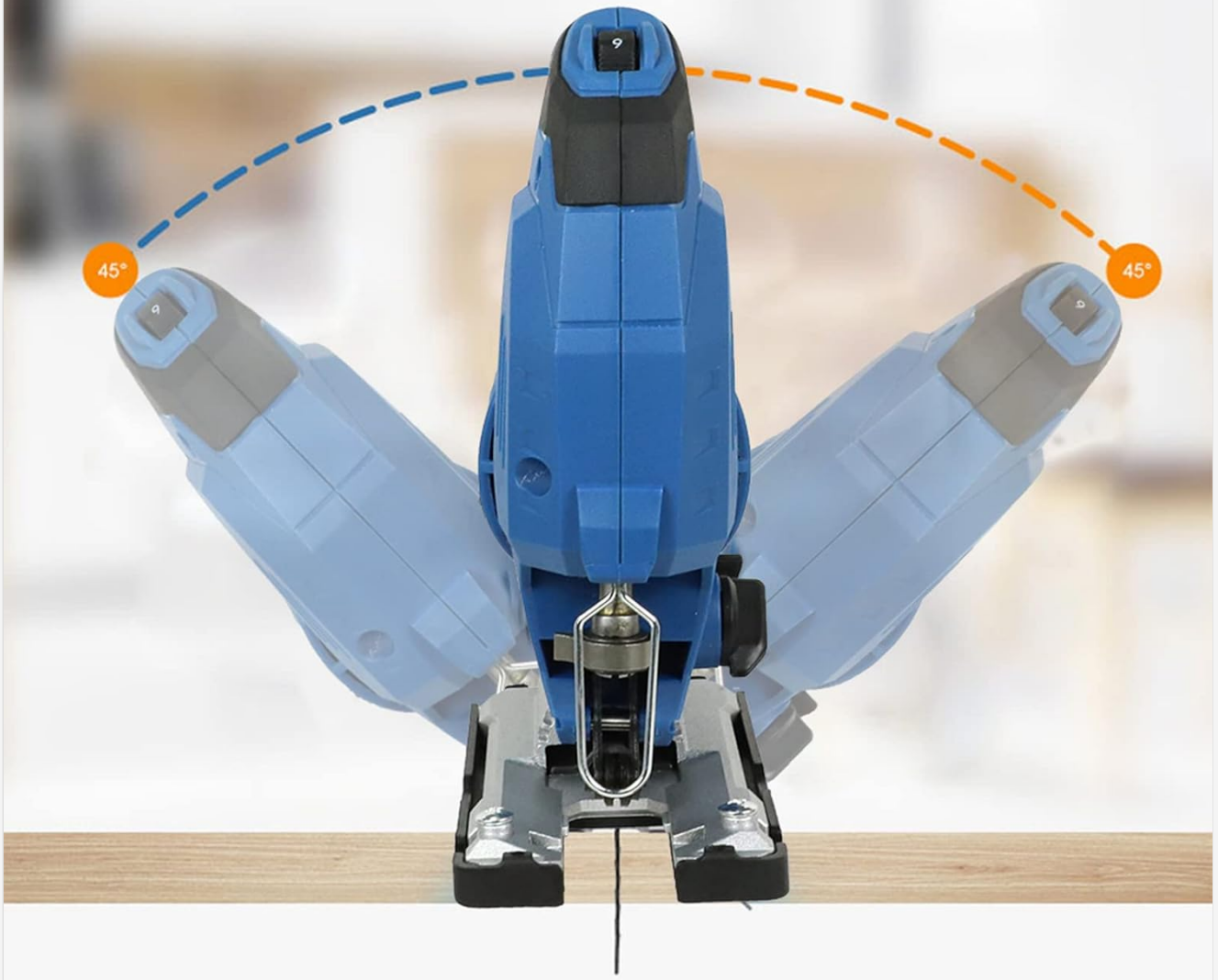


Figure 2: The HUIOP Jigsaw with its standard accessories, including blades and a dust adapter.

### 2. Blade Installation (Tool-Free)

The HUIOP Jigsaw features a quick-release chuck for tool-free blade changes.

1. Ensure the jigsaw is unplugged from the power source.
2. Locate the quick-release chuck mechanism near the blade clamp.
3. Pull or twist the chuck mechanism to open the blade clamp.
4. Insert the desired blade into the clamp, ensuring the teeth face forward.
5. Release the chuck mechanism to securely lock the blade in place. Gently pull on the blade to confirm it is firmly seated.

### 3. Dust Extraction Setup

For a cleaner work environment and improved visibility of the cutting line, connect the dust vacuum adaptor.

- Attach the provided dust vacuum adaptor to the dust port at the rear of the jigsaw.

- Connect a compatible vacuum cleaner hose to the adaptor.
- Alternatively, the built-in dust blower function can be used without a vacuum.

## 4. Power Connection

Connect the jigsaw's power cord to a suitable 120V (US) or 220-240V (EU) 50/60Hz power outlet, depending on your model and region. Ensure the power switch is in the 'OFF' position before plugging in.

# OPERATING INSTRUCTIONS

---

## 1. Powering On/Off and Variable Speed Control

To start the jigsaw, press the trigger switch. The tool features variable speed control, allowing you to adjust the cutting speed based on the material and desired finish. A speed grade of 1500-3100 strokes per minute (SPM) is available.

- **To start:** Press the trigger switch.
- **To adjust speed:** Use the variable speed dial or pressure on the trigger (if applicable to your model).
- **For continuous operation:** Press the lock button while the trigger is depressed. This reduces hand fatigue during long cutting tasks. Press the trigger again to release the lock.
- **To stop:** Release the trigger switch.

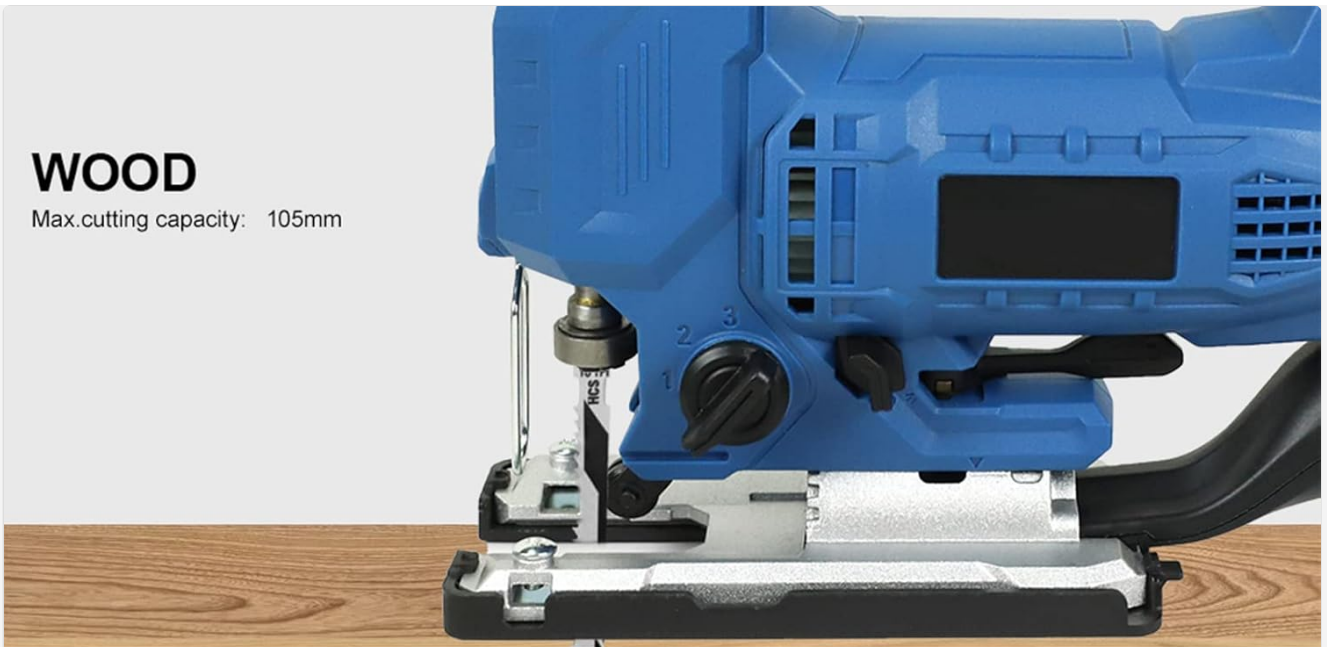
## 2. Adjusting Orbital Cutting (4-Stage Pendulum)

The 4-stage pendulum action allows for faster cutting in various materials. Higher settings provide a more aggressive cut, while lower settings or no pendulum action are suitable for fine cuts or harder materials.

1. Locate the pendulum action selector lever on the side of the jigsaw.
2. Select the desired setting (0-4) based on your cutting needs.

## WOOD

Max. cutting capacity: 105mm



## STEEL

Max. cutting capacity: 10mm



Figure 3: The 4-stage pendulum mechanism allows for wide range torque adjustment for different cutting speeds and materials.

### 3. Angle Cutting (0-45 Degrees)

The adjustable aluminum footplate allows for bevel cuts up to 45 degrees to both the left and right.

1. Unplug the jigsaw.
2. Loosen the base plate adjustment screws (usually with an Allen wrench).
3. Tilt the base plate to the desired angle (0-45 degrees). Use the angle scale for precision.
4. Tighten the adjustment screws securely before operation.

# JIG SAW



0-45 degrees

Quick saw blade changing system

4 stage pendulum

Aluminum diecast gear case

LED work light

Quick change base

Dust blow function

Lock on switch with variable speed



**ECONOMIC SERIES**

Figure 4: The jigsaw's features, including 0-45 degree angle cutting capability.

## 4. Cutting Different Materials

The HUIOP Jigsaw is suitable for cutting wood, metal, and plastic. Always use the appropriate blade for the material being cut.

- **Wood:** Maximum cutting depth of 100mm (4 inches).
- **Steel:** Maximum cutting depth of 10mm (0.4 inches).
- **Aluminum:** Maximum cutting depth of 20mm.
- **Plastic (PVC):** Suitable for cutting.



Figure 5: Illustrates the maximum cutting capacities for wood (105mm) and steel (10mm).

## 5. General Cutting Techniques

- Always secure the workpiece firmly to prevent movement during cutting.
- Allow the blade to reach full speed before engaging the material.
- Apply steady, even pressure. Do not force the tool, as this can damage the blade or motor.
- Maintain a clear line of sight to your cutting path. Use the dust blower or vacuum extraction for this purpose.



Figure 6: A user demonstrating the proper grip and operation of the jigsaw while cutting wood.

## MAINTENANCE

Regular maintenance ensures the longevity and optimal performance of your HUIOP Jigsaw. Always unplug the tool before performing any maintenance.

### 1. Cleaning

- After each use, clear saw dust and debris from the tool, especially around the blade area and ventilation slots.
- Use a soft brush or compressed air to remove dust. Do not use solvents or abrasive cleaners.
- Ensure the dust port and blower nozzle are clear of obstructions.

### 2. Blade Replacement

Replace blades when they become dull, bent, or damaged. Refer to the 'Blade Installation' section for instructions on tool-free blade changing.

### 3. General Inspection

- Periodically check the power cord for damage. If damaged, have it replaced by a qualified technician.
- Ensure all screws and fasteners are tight.
- Inspect the base plate for any damage or warping that could affect cutting accuracy.

## TROUBLESHOOTING

This section addresses common issues you might encounter with your jigsaw. If the problem persists, contact customer support.

Problem	Possible Cause	Solution
Jigsaw does not start	No power supply Damaged power cord Faulty switch	Check power outlet and circuit breaker Inspect cord for damage; replace if necessary Contact customer support
Blade not cutting efficiently	Dull or incorrect blade Improper pendulum setting Forcing the tool	Replace blade; ensure it's suitable for material Adjust pendulum setting Apply less pressure; let the tool do the work
Excessive vibration or noise	Loose blade Damaged blade Internal issue	Ensure blade is securely clamped Replace blade Discontinue use and contact customer support
Dust accumulation affecting visibility	Dust port blocked Dust blower off/weak	Clear dust port; connect vacuum Ensure dust blower is functioning; clean nozzle

## SPECIFICATIONS

Feature	Specification
Model Number	MMUSE23366US-CJC
Rated Voltage	120V (US) / 220-240V (EU)
Frequency	60Hz (US) / 50Hz (EU)
Power	710W (6A)
No Load Speed	1500-3100 r/min (SPM)
Orbital Cutting / Pendulum Settings	4 Stages
Stroke Distance	23mm (0.86 inches)
Blade Length	4 Inches
Cutting Capacity (Wood)	105mm (4 inches)
Cutting Capacity (Steel)	10mm (0.4 inches)
Cutting Capacity (Aluminum)	20mm
Cutting Angle	0-45 Degrees (Left/Right)
Product Dimensions	12.99 x 11.81 x 3.94 inches
Product Weight	1800g
Material	PA+CU+FE (Plastic, Copper, Iron)

## WARRANTY AND SUPPORT

For warranty information, technical support, or service inquiries, please contact HUIOP customer service through your original point of purchase or the contact information provided with your product packaging. Please have your model number (MMUSE23366US-CJC) and purchase date ready when contacting support.