

[Manuals.plus](#) /

> [HUSAR WINCH](#) /

> HUSAR WINCH Electric Winch 12V, 2000 lbs (907 kg) with Steel Rope - User Manual

## HUSAR WINCH HW-ATV

# HUSAR WINCH Electric Winch 12V, 2000 lbs (907 kg) with Steel Rope

Model: HW-ATV - User Manual

## 1. INTRODUCTION AND PRODUCT OVERVIEW

This manual provides essential information for the safe and effective use of your HUSAR WINCH 12V Electric Winch, model HW-ATV. Please read all instructions carefully before installation and operation.

- **Pulling Capacity:** The maximum pulling capacity of the winch is 2000 lbs (907 kg).
- **Steel Rope:** Length 15 meters, diameter 4 mm. It is highly resistant to friction damage, low elongation facilitates precise maneuvering, and low weight simplifies handling and operation.
- **Winch Construction:** Made from high-quality materials, its robust construction ensures reliable use.
- **Application:** Primarily designed for large ATV and UTV vehicles, where it can assist in recovering vehicles from challenging off-road situations. Also suitable for Quads and Plows.
- **Reliability:** Each winch undergoes quality control before delivery, ensuring its reliability.

# BST 2000 LBS WITH STEEL ROPE

**HUSAR**  
WINCH BETTER STRONGER TOUGHER



Figure 1: HUSAR WINCH 2000 lbs Electric Winch with Steel Rope.

## 2. PRODUCT SPECIFICATIONS

Specification	Value
Manufacturer	HUSAR WINCH
Model Number	HW-ATV
Product Dimensions	28.5 x 10.5 x 10.5 cm
Weight	10 kg (22 lbs)
Pulling Capacity	2000 lbs (907 kg)
Motor	0.9 HP (0.7 kW) Copper Motor
Gear Ratio	153:1
Brake Type	Automatic Brake

Specification	Value
Steel Rope Length	15 meters
Steel Rope Diameter	4 mm
Voltage	12V

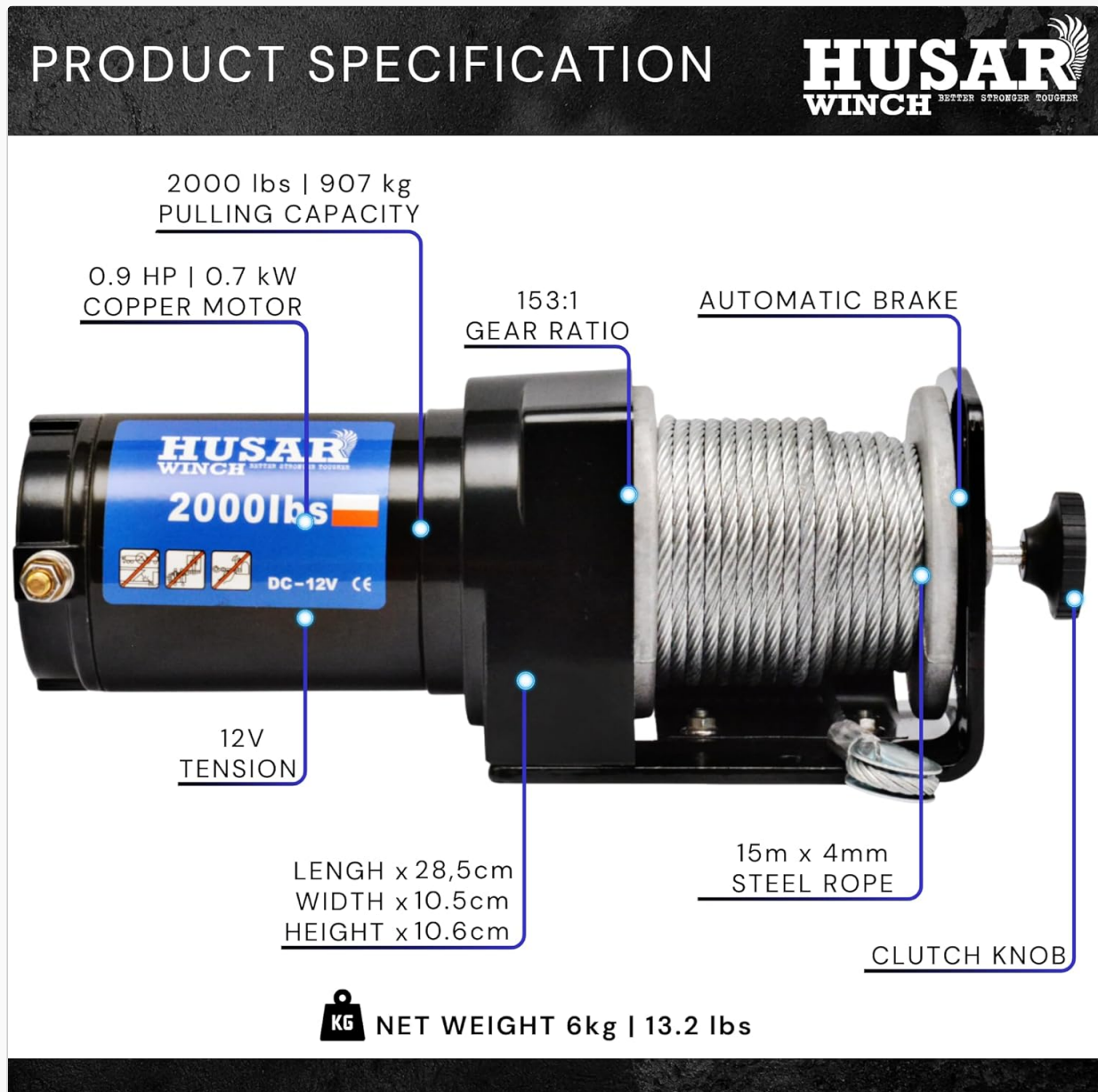


Figure 2: Visual representation of key product specifications.

### 3. PACKAGE CONTENTS

Verify that all items listed below are included in your package:

1. Electric Winch BST 2000 with steel rope
2. Roller Guide
3. Cable Control
4. Iron Cast Hook
5. Mounting Screws

# CONTENTS OF THE PACKAGE

**HUSAR**  
WINCH BETTER STRONGER TOUGHER



1. Electric Winch  
BST 2000 with steel rope



2. Roller Guide



3. Cable Control



4. Iron Cast Hook



5. Mounting Screws

Figure 3: All components included in the package.

## 4. SETUP AND INSTALLATION

Proper installation is crucial for safe and efficient operation. Ensure the winch is mounted securely to a stable surface capable of handling the maximum pulling force. Use the provided mounting screws and follow vehicle-specific guidelines for ATV/UTV or quad installation.

### 4.1. Mounting

Position the winch in the desired location, ensuring adequate clearance for the rope and controls. Mark and drill holes according to the winch's mounting pattern. Secure the winch using the supplied hardware. Refer to the dimensions diagram for precise measurements.

# DIMENSIONS

**HUSAR**  
WINCH BETTER STRONGER TOUGHER

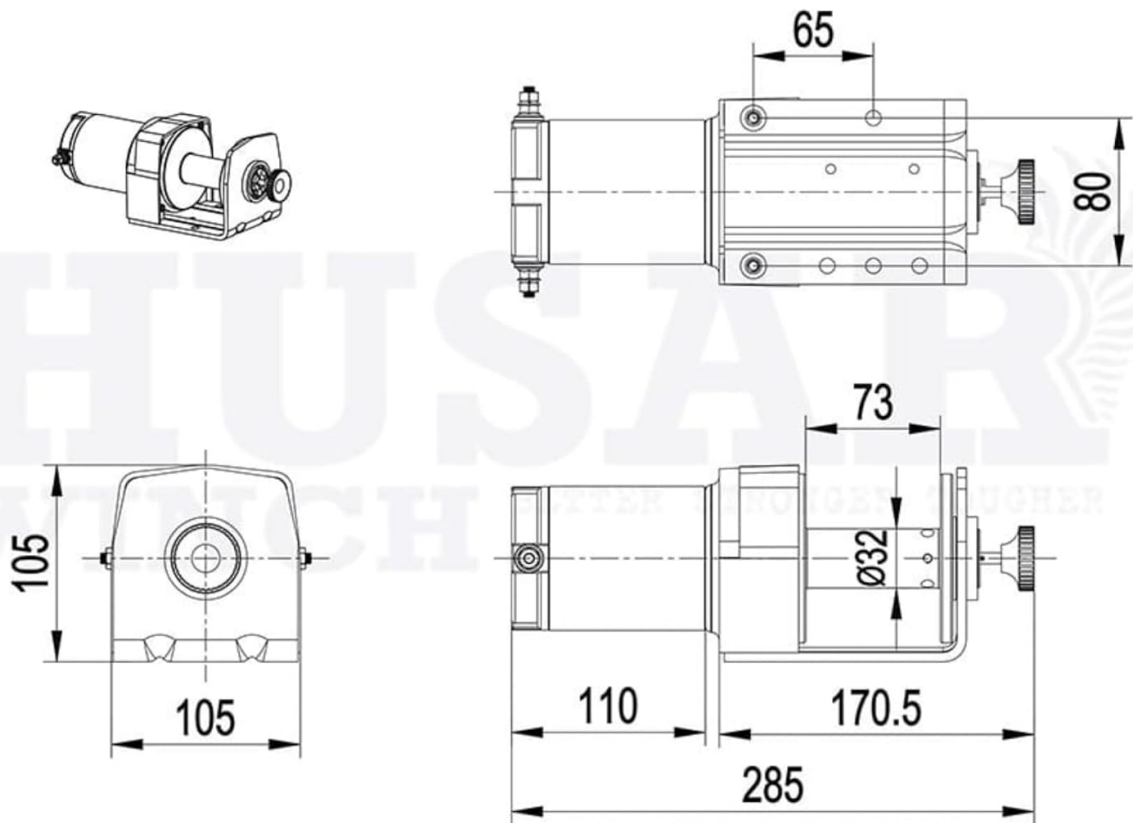


Figure 4: Winch dimensions for mounting reference.

## 4.2. Electrical Connection

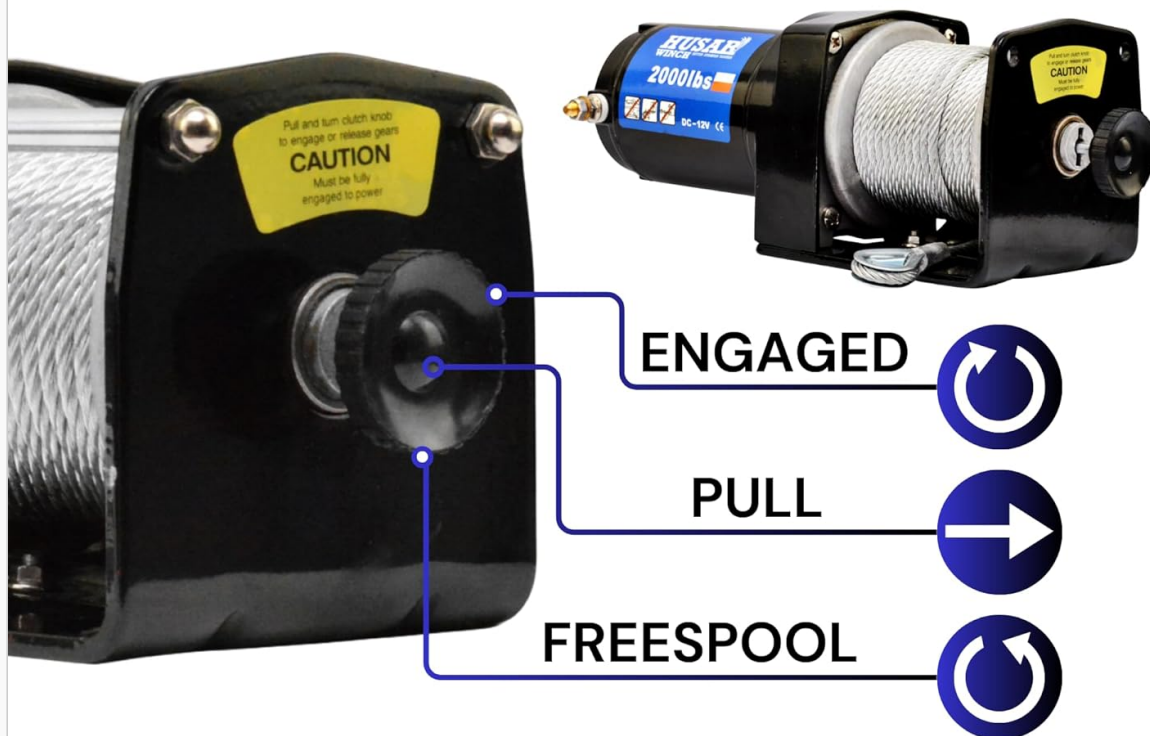
Connect the winch to a 12V DC power source. Ensure all electrical connections are tight and properly insulated to prevent short circuits. Consult a qualified technician if you are unsure about electrical wiring.

## 5. OPERATING INSTRUCTIONS

### 5.1. Clutch Operation

The clutch knob controls the engagement and disengagement of the winch gears. To engage the gears for pulling, pull and turn the clutch knob. To release the gears for free-spooling the rope, pull and turn the knob in the opposite direction. **Caution: The clutch must be fully engaged for powered operation.**

# CLUTCH KNOB



Pull and turn clutch knob to engage or release gears  
**CAUTION**  
Must be fully engaged to power

Figure 5: Clutch knob positions for engaged, pull, and free-spool modes.

## 5.2. Steel Rope Handling

The 4mm diameter, 15-meter steel rope is designed for durability and resistance to abrasion. Always ensure the rope is properly spooled on the drum before and after use. Avoid sharp bends or kinks in the rope. Wear gloves when handling the steel rope.

# STEEL ROPE



## ABRASION RESISTANCE ✓

Highly resistant to abrasion, making it suitable for harsh and difficult conditions such as sharp rocks and rough surfaces.

## RESISTANCE TO HIGH TEMPERATURES ✓

Can withstand higher temperatures without losing strength, which is important for prolonged use or in situations where the rope may become hot.

## RESISTANCE TO UV RADIATION ✓

Is not susceptible to UV degradation, making it durable in outdoor conditions.

## LESS STRETCH ✓

Has very little stretch under load, ensuring more precise and controlled pulling operations.

## DURABILITY ✓

Wire rope is known for its long life and durability, making it reliable in demanding working conditions.



**LENGTH**  
15m  
**DIAMETER**  
4 mm

Figure 6: Details of the steel rope, highlighting its abrasion resistance, temperature resistance, UV resistance, low stretch, and durability.

## 5.3. Winching Procedure

1. Ensure the vehicle is stable and secured.
2. Unspool the steel rope to the anchor point, ensuring the clutch is disengaged.
3. Secure the hook to a suitable anchor point.
4. Engage the clutch.
5. Use the cable control to slowly reel in the rope, maintaining tension.
6. Monitor the winching operation for any issues.
7. Once the task is complete, release tension, disengage the clutch, and carefully respool the rope.

## 6. MAINTENANCE

Regular maintenance ensures the longevity and safe operation of your winch.

- **Rope Inspection:** Regularly inspect the steel rope for fraying, kinks, or damage. Replace the rope if any significant damage is observed.
- **Cleaning:** Keep the winch clean from dirt, mud, and debris. Use a damp cloth to wipe down the

exterior.

- **Lubrication:** Periodically check and lubricate moving parts as recommended by the manufacturer (refer to the official website for detailed guidelines).
- **Electrical Connections:** Ensure all electrical connections remain tight and free from corrosion.

## 6.1. Waterproof Rating

The winch has an IP67 waterproof rating, meaning it offers:

- **6:** Protection against access to hazardous parts by wire. Total dust-tight protection.
- **7:** Protection against the effects of brief immersion in water (30 min at a depth of 0.15 m above the top of the enclosure or 1 m above the bottom for enclosures lower than 0.85 m).



Figure 7: The winch's IP67 waterproof rating ensures protection against dust and temporary immersion in water.

## 7. TROUBLESHOOTING

If you encounter issues with your winch, consider the following common troubleshooting steps:

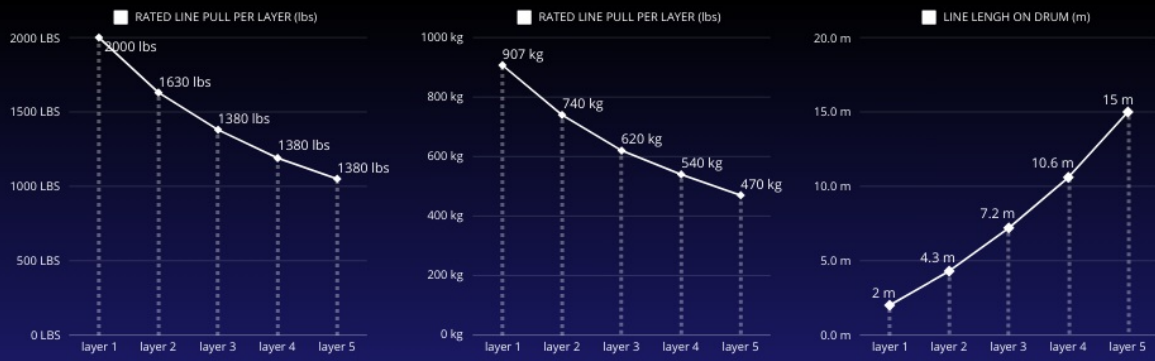
- **Winch not operating:** Check all electrical connections, battery charge, and ensure the clutch is fully engaged.
- **Reduced pulling power:** Verify the battery is fully charged and connections are secure. Ensure the load does not exceed the winch's rated capacity.
- **Rope jamming:** Inspect the rope for damage or improper spooling. Ensure the roller guide is clear of obstructions.

For persistent issues or complex repairs, contact HUSAR WINCH customer support.

## 8. APPLICATIONS

The HUSAR WINCH 2000 lbs Electric Winch is versatile and suitable for various applications, including:

- ATV and UTV recovery in challenging terrains.
- Assisting quads in difficult situations.
- Plow lifting and positioning.
- General utility pulling tasks within its rated capacity.



**VERSATILE APPLICATION OF THE WINCH**



Figure 8: Winch performance chart illustrating pulling capacity and rope length per layer.

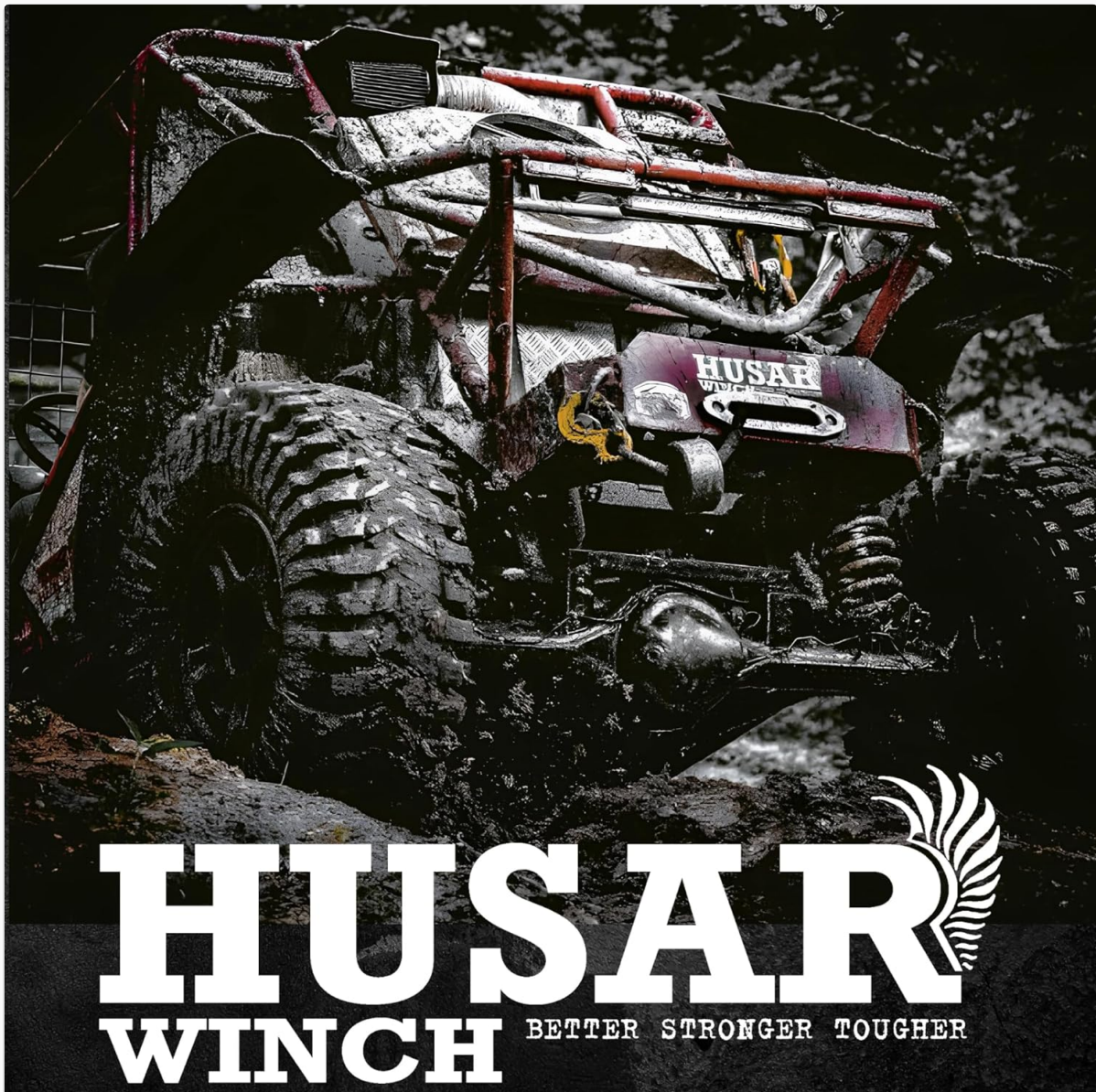


Figure 9: Winch use for ATV recovery.



Figure 10: Winch use for quad applications.

## 9. WARRANTY AND SUPPORT

For warranty information, technical support, or to purchase replacement parts, please visit the official HUSAR WINCH website or contact their customer service department.

Official Website: [husarwinch.com/pl/](https://husarwinch.com/pl/)

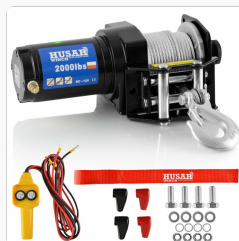


Figure 11: Scan for more information and support.

