



Manuals.plus /

› Skraut Home /

› Skraut Home Wall-Mounted TV Cabinet with Electric Fireplace, Model 414_31_02 User Manual

Skraut Home 414_31_02

Skraut Home Wall-Mounted TV Cabinet with Electric Fireplace

Model: 414_31_02

User Manual

1. IMPORTANT SAFETY INFORMATION

Please read all instructions carefully before assembly and use. Keep this manual for future reference.

- Ensure all components are present and undamaged before beginning assembly.
- This product is designed for wall mounting. Ensure the wall structure can safely support the weight of the TV cabinet and its contents. Consult a professional if unsure.
- Do not overload the TV cabinet.
- The electric fireplace is for decorative purposes with a 3D flame effect. It does not produce significant heat and should not be used as a primary heating source.
- Keep electrical cords away from heat sources and sharp edges.
- Only use the provided remote control for the electric fireplace.

2. PRODUCT OVERVIEW

The Skraut Home TV cabinet is a modern, wall-mounted lowboard designed to accommodate TVs up to 80 inches. It features an integrated electric fireplace with a realistic 3D flame effect and ample storage space.



Figure 2.1: The Skraut Home TV cabinet with electric fireplace, shown in a modern living room. The unit is wall-mounted, featuring a central TV platform, storage compartments, and an integrated electric fireplace on the right side.

Key Components:

- **TV Module with Door:** Provides significant storage capacity. Dimensions: 51 cm wide, 45 cm high, 35 cm deep. Features an oak and black finish with a high-quality porous wood grain.
- **LED Fireplace Module:** Houses the electric fireplace. Dimensions: 107 cm wide, 45 cm high, 35 cm deep. Features an oak finish with a high-quality porous wood grain.
- **Electric Fireplace Unit:** LED-based, 107 cm wide, 32 cm high. Offers an incredibly realistic 3D flame effect with 3 intensity levels. Power consumption: 34W. Includes a remote control.



Figure 2.2: The TV cabinet with its storage doors open, revealing internal compartments. This image highlights the practical storage solutions alongside the decorative fireplace.

3. SETUP AND ASSEMBLY

Skraut Home furniture is designed for straightforward assembly. Follow the detailed instructions provided in the packaging. No specialized tools are required.

3.1. Unpacking

- Carefully unpack all components and check against the parts list in the separate assembly guide.
- Ensure all packaging materials are removed.
- The packaging is designed for easy transport, with individual packages weighing less than 30 kg and measuring less than 120 cm.

3.2. Assembly Steps

1. Assemble the individual modules (TV module and fireplace module) according to the step-by-step instructions in the included assembly manual.

2. Integrate the electric fireplace unit into its designated module.

3.3. Wall Mounting

This TV cabinet is designed for wall mounting. Proper installation is crucial for safety and stability.

- Identify a suitable wall location, ensuring it is structurally sound and free from electrical wires or plumbing.
- Use appropriate wall anchors and screws for your specific wall type (e.g., concrete, drywall, stud). These may not be included and should be purchased separately based on your wall material.
- Carefully measure and mark the drilling points on the wall according to the assembly guide.
- Mount the cabinet securely to the wall, ensuring it is level.

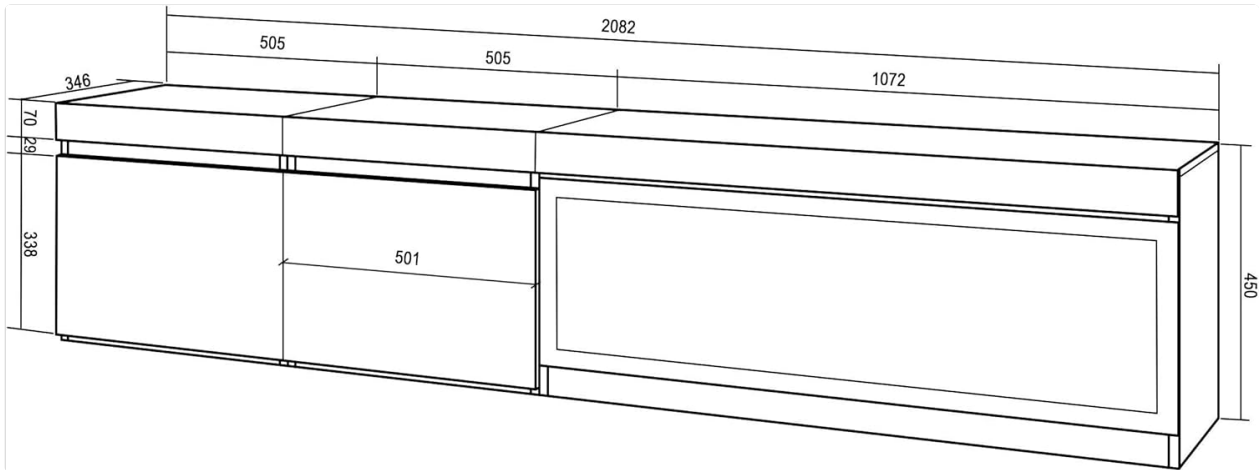


Figure 3.1: Technical drawing illustrating the overall dimensions of the TV cabinet. The total width is 2082mm, depth 350mm, and height 450mm. Individual module widths are also indicated.

4. OPERATING INSTRUCTIONS

4.1. Electric Fireplace Operation

The electric fireplace provides a realistic 3D flame effect. It operates via an electrical connection and includes a remote control.



SKRAUT HOME



Figure 4.1: A detailed view of the electric fireplace unit, showcasing the realistic 3D flame effect and artificial logs.

- **Power Connection:** Connect the fireplace unit's power cord to a standard electrical outlet. The fireplace does not use batteries for its main operation.
- **Remote Control:** The fireplace is controlled using the included remote. The remote requires batteries, which are not supplied. Insert the correct type and number of batteries as indicated in the remote's compartment.
- **Turning On/Off:** Press the power button on the remote control to activate or deactivate the flame effect.
- **Adjusting Flame Intensity:** Use the intensity level buttons on the remote to cycle through the 3 available flame intensity levels.
- **Safety Note:** The fireplace generates a 3D flame effect without a combustion heat source, ensuring no risk of burns from the flame area. The power consumption for the LED effect is 34W.

5. MAINTENANCE

To ensure the longevity and appearance of your Skraut Home TV cabinet, follow these simple maintenance guidelines:

- **Cleaning the Cabinet:** Wipe surfaces with a soft, damp cloth. Avoid abrasive cleaners or harsh chemicals, as these can damage the melamine finish.
- **Cleaning the Fireplace:** Ensure the fireplace is turned off and unplugged before cleaning. Gently wipe the glass panel and interior with a soft, dry cloth. Do not spray liquids directly onto the unit.

- **Dusting:** Regularly dust all surfaces to prevent buildup.
- **Material Care:** The cabinet features a high-quality porous wood grain melamine. Avoid placing hot items directly on the surface without protection.



Figure 5.1: A close-up view of the oak wood grain texture, demonstrating the quality of the melamine finish used for the TV cabinet.

6. TROUBLESHOOTING

If you encounter issues with your TV cabinet or electric fireplace, refer to the following common solutions:

- **Fireplace Not Turning On:**
 - Check if the power cord is securely plugged into a working electrical outlet.
 - Ensure the remote control has fresh batteries and is pointed directly at the fireplace unit.
- **Flame Effect Not Visible:**
 - Verify the unit is powered on.
 - Check for any obstructions in front of the flame display.

- **Remote Control Not Responding:**

- Replace the batteries in the remote control.
- Ensure there are no obstacles between the remote and the fireplace unit's sensor.

- **Cabinet Instability:**

- Recheck all wall mounting points to ensure they are securely fastened.
- Ensure the wall structure is adequate for the weight.

If problems persist, please contact Skraut Home customer support.

7. SPECIFICATIONS

Feature	Specification
Brand	Skraut Home
Model Number	414_31_02
Overall Product Dimensions (L x D x H)	208 x 35 x 45 cm
Product Weight	53 kg
Material	Melamine
Finish Type	Painted (Porous Wood Grain)
Color	Oak - Option C
Installation Type	Wall Mount
Energy Source (Fireplace)	Electric Wired
Fireplace Power Consumption	34 Watt (for LED effect)
Special Features	3D Flame Effect, Remote Control, 3 Intensity Levels
Country of Origin	Spain
First Available Date	21 March 2024

8. WARRANTY AND SUPPORT

8.1. Warranty

Skraut Home products come with a **2-year warranty** from the date of purchase. This warranty covers manufacturing defects and material faults under normal use. Please retain your proof of purchase for warranty claims.

8.2. After-Sales Service and Spare Parts

Skraut Home offers excellent after-sales service and maintains a permanent stock of spare parts. If you require

assistance, have questions, or need replacement parts, please contact our customer support team. For support, please refer to the contact information provided with your purchase or visit the official Skraut Home website.