



[Manuals.plus](#) /

> [STANDARD HORIZON](#) /

> Standard Horizon GX1800G Fixed Mount VHF with GPS - Explorer Series Instruction Manual

## STANDARD HORIZON GX1800GB

# Standard Horizon GX1800G Fixed Mount VHF with GPS - Explorer Series Instruction Manual

Model: GX1800GB

[Introduction](#)

[Setup](#)

[Operation](#)

[Maintenance](#)

[Troubleshooting](#)

[Specifications](#)

[Warranty & Support](#)

## 1. INTRODUCTION

The Standard Horizon GX1800G Fixed Mount VHF with GPS is a marine transceiver designed for reliable communication and navigation on the water. This unit integrates a 66-channel GPS receiver for precise positioning and features Digital Selective Calling (DSC) for enhanced safety. It is built for durability in harsh marine environments, offering clear and powerful communication capabilities.



Image: Front view of the Standard Horizon GX1800G Fixed Mount VHF radio, showcasing its display and control buttons.

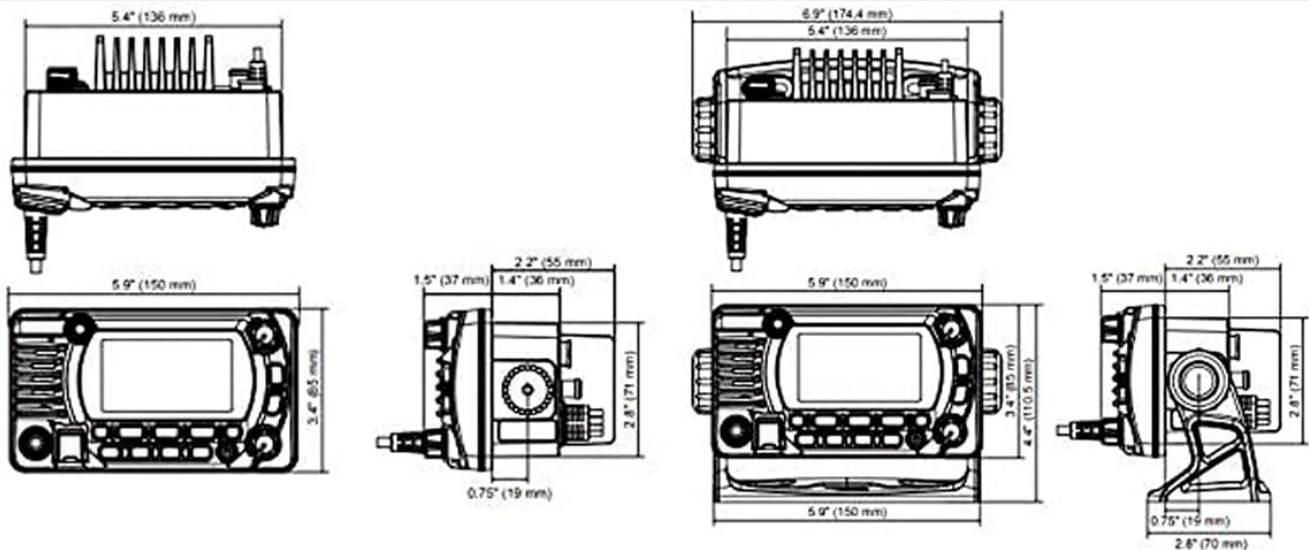
## 2. SETUP AND INSTALLATION

Proper installation is crucial for optimal performance. This section outlines the components and connections required for setting up your GX1800G VHF radio.

### 2.1 Package Contents

Upon unboxing, verify that all components are present:

- Standard Horizon GX1800G VHF Transceiver
- DC Power Cables (red and black wires)
- Mounting Bracket and Knobs
- Mounting Screws and Fasteners
- Owner's Manual



**ULTRA-COMPACT**  
**EASY INSTALLATION VHF RADIO**  
 IT'S DESIGNED WITH A SLIM  
 REAR-CASE, FOR GREATER  
 FLEXIBILITY IN TIGHT SPACES

**STANDARD HORIZON**  
 Nothing takes to water like Standard Horizon

NOTHING TAKES  
 TO WATER LIKE  
 STANDARD HORIZON



Image: The Standard Horizon GX1800G VHF radio and its included accessories, such as power cables and mounting hardware.

## 2.2 Mounting Options

The GX1800G can be installed using the included bracket for surface mounting. For flush mounting, a separate flush mount bracket kit is required and not included with this package. Ensure the mounting location provides good ventilation and is protected from direct exposure to extreme elements, although the unit is IPX8 waterproof.



Image: Detailed dimensions of the GX1800G unit for planning installation and mounting.

## 2.3 Connections

The rear panel of the GX1800G provides various connection ports:

- **NMEA 2000 Port:** For connecting to a NMEA 2000 network to share GPS data and other marine electronics information.
- **Antenna Connector:** Connect your VHF antenna here.
- **External Speaker/Microphone Port:** For connecting an optional external speaker or a RAM4/RAM4X remote station microphone.
- **GPS Input:** While the GX1800G has a built-in GPS receiver, some models (like the GX1800) may require an external GPS antenna connected to this port. For the GX1800G, this port is typically capped as the internal GPS is primary.
- **Power Input:** Connect the supplied DC power cables (red for positive, black for negative) to a 12V DC power source.



Image: Close-up view of the rear panel of the GX1800G, showing the NMEA 2000, antenna, and other connection ports.

## 3. OPERATION

The GX1800G features an intuitive interface designed for ease of use. Familiarize yourself with the controls and display for effective communication.

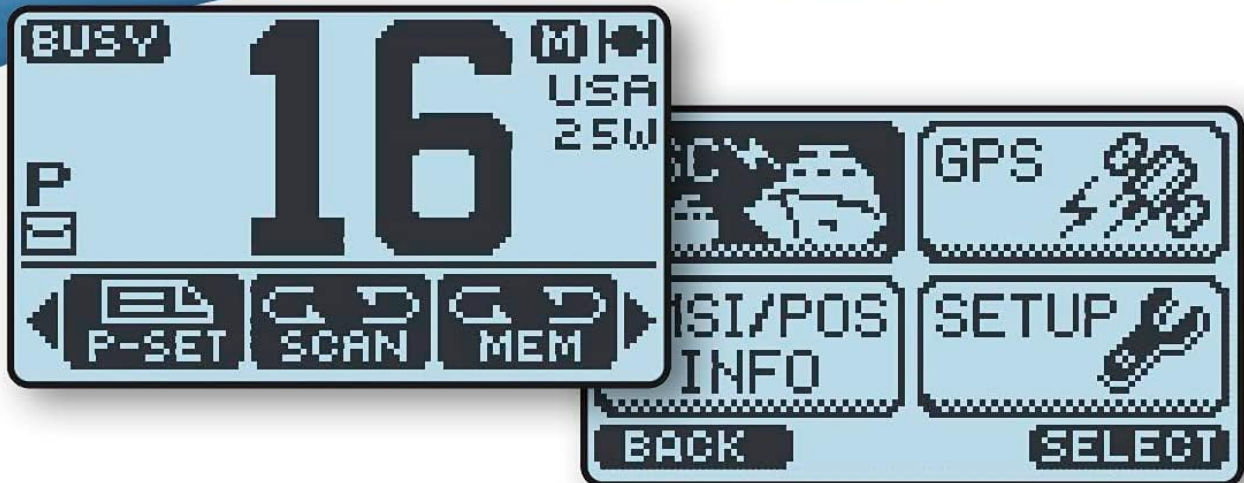
### 3.1 Display and Menu System

The unit is equipped with an oversized full-dot matrix display that provides clear and wide information. The E20 Icon/Menu system simplifies navigation through various functions. A busy LED indicator glows green when a signal is received, providing visual feedback on channel activity.

**OVERSIZED FULL-DOT MATRIX DISPLAY**  
**WIDE AND BOLD INFORMATION DISPLAY**

**E20 ICON / MENU SYSTEM**

**BUSY LED INDICATOR**  
**GLOWS GREEN WHEN SIGNAL IS RECEIVED**



**STANDARD HORIZON**  
*Nothing takes to water like Standard Horizon*

**NOTHING TAKES  
TO WATER LIKE  
STANDARD HORIZON**



Image: Close-up of the GX1800G's oversized full-dot matrix display, showing channel information and menu icons.

### 3.2 GPS Functionality

The integrated 66-channel GPS receiver provides accurate position data. This GPS data is essential for Digital Selective Calling (DSC), enabling position sharing, and other navigation features. The unit supports Waypoint Navigation and Compass displays.



**OPTIONAL RAM4  
SECOND STATION**

***BUILT-IN INTEGRATED  
66 CHANNEL GPS RECEIVER  
THE GPS DATA CAN BE USED FOR  
DSC CALLING, POSITION SHARING & MORE***

**STANDARD HORIZON**  
*Nothing takes to water like Standard Horizon*

**NOTHING TAKES  
TO WATER LIKE  
STANDARD HORIZON**



Image: The GX1800G unit highlighting its built-in 66-channel GPS receiver for navigation and safety features.

### 3.3 Communication Features

- **25W Transmitter:** Provides clear and powerful communication.
- **Digital Selective Calling (DSC):** Meets ITU-R M.493-13 Class D DSC standards for automated distress and safety calls.
- **Noise Canceling Microphone:** Equipped with channel change selection, 16/S (Channel 16/Scan) and H/L (High/Low power) keys for convenient operation.
- **Scanning:** Features Programmable Scan, Priority Scan, and Dual Watch functions to monitor multiple channels.
- **Distress Button:** A prominent red "DISTRESS PULL OPEN" button is available for emergency situations.
- **Night Mode:** Selectable Night Mode display for improved visibility in low-light conditions.
- **Intercom:** An intercom feature is available between the main radio and an optional second station (RAM4 SSM-70H or RAM4X SSM-72H).



Image: Close-up of the red "DISTRESS PULL OPEN" button on the GX1800G, used for emergency calls.



Image: Close-up of the volume and squelch control knobs on the GX1800G.

## 4. MAINTENANCE

---

The GX1800G is engineered for durability in the marine environment. Regular maintenance ensures its longevity and reliable performance.

- **Cleaning:** Wipe the unit with a soft, damp cloth. Avoid abrasive cleaners or solvents.
- **Water Resistance:** The unit has an IPX8 waterproof rating, meaning it can withstand submersion in 5 feet (1.5 meters) of water for 30 minutes. Ensure all caps and covers are securely fastened to maintain water integrity.
- **Connection Checks:** Periodically inspect all cable connections for corrosion or damage, especially in saltwater environments.



**IPX8 SUBMERSIBLE CONSTRUCTION**  
**WATER RESISTANT RATING**  
**5FT/1.5M FOR 30 MIN.**

**STANDARD HORIZON**  
*Nothing takes to water like Standard Horizon*

**NOTHING TAKES  
TO WATER LIKE  
STANDARD HORIZON**

Image: The GX1800G unit submerged in water, illustrating its IPX8 submersible construction and water resistance.

## 5. TROUBLESHOOTING

If you encounter issues with your GX1800G, refer to the following common troubleshooting steps. For detailed diagnostics, consult the full owner's manual.

- **No Power:** Check power cable connections, fuses, and the boat's power supply.
- **No Reception/Transmission:** Verify antenna connection and ensure it is properly installed and undamaged. Check channel selection and squelch settings.
- **GPS Not Acquiring Signal:** Ensure the unit has a clear view of the sky. If using an external GPS antenna, check its connection and placement.
- **Distorted Audio:** Adjust volume and squelch. Check external speaker connections if applicable.

## 6. SPECIFICATIONS

Feature	Specification
Brand	STANDARD HORIZON
Model Number	GX1800GB
Color	Black
Number of Channels	66
Special Feature	Submersible
Frequency Range	VHF band
Talking Range Maximum	36 Mile
Voltage	13.8 Volts (DC)
Water Resistance Level	Waterproof (IPX8)
Product Dimensions (D x W x H)	7.5"D x 4"W x 10"H
Item Weight	1 Pounds
Compatible Devices	Standard Horizon RAM4 SSM-70
Tuner Type	VHF
Connectivity Protocol	NMEA 0183, NMEA 2000

## 7. WARRANTY & SUPPORT

---

The Standard Horizon GX1800G comes with a **3-Year Warranty**. For warranty claims, technical support, or service inquiries, please contact Standard Horizon customer service or refer to the official product website for detailed contact information.



**3 Year**  
WARRANTY

**CLEAR VOICE**<sup>®</sup>  
NOISE REDUCTION TECHNOLOGY

**66 ch GPS**

**GPS Receiver**  
Built-in

Integrated 66 Channel  
Internal GPS receiver

**Intercom**

Intercom Feature between  
Radio and Second Station  
(Optional RAM4 SSM-70H or  
RAM4X SSM-72H)

**Second Station**

Second Station Remote  
Microphone  
(Optional wireless RAM4X  
or wired RAM4)

**E20**  
Easy to Operate

E20 (Easy to Operate)  
Icon & Menu System

**Waypoint Nav & Compass**  
displays

GPS Compass, Waypoint  
and GPS status pages

**IPX8**  
1.5 m for 30 min  
Submersible

Submersible IPX8  
(5ft/1.5m for 30 minutes)

**ITU Class D**  
DSC Transceiver

Meets ITU-R M.493-15 Class D DSC  
(Digital Selective Calling)

**Night Mode**

Selectable  
Night Mode Display

**STANDARD HORIZON**  
*Nothing takes to water like Standard Horizon*

**NOTHING TAKES  
TO WATER LIKE  
STANDARD HORIZON**



Image: The GX1800G unit, highlighting its 3-year warranty and key features.