

Manuals+

[Q & A](#) | [Deep Search](#) | [Upload](#)

Manuals.plus /

› [SAMSUNG](#) /

› SAMSUNG The Frame TV 4K 2024 50LS03D User Manual

SAMSUNG 50LS03D / TQ50LS03DAUXXC

SAMSUNG The Frame TV 4K 2024 User Manual

Model: 50LS03D / TQ50LS03DAUXXC

INTRODUCTION

This user manual provides detailed instructions for the SAMSUNG The Frame TV 4K 2024 50LS03D Smart TV 50-inch model. This television is designed to seamlessly blend into your living space, offering an art gallery mode with a matte screen, interchangeable bezels, vibrant 100% color volume with Quantum Dot technology, and a streamlined setup with the One Connect box and a nearly invisible cable. Please read this manual thoroughly to ensure proper installation, operation, and maintenance of your new television.

SETUP

Unboxing and Initial Setup

Carefully unpack all components from the box. Ensure all items listed below are present before proceeding with the setup.



Figure 1: What's in the Box. This image displays the main components included with your Samsung The Frame TV: the LS03 TV unit, the Remote Control, the Power Cable, and the One Connect Box with its various ports (4x HDMI, 2x USB, 1x LAN).

- 1. Placement:** Choose a suitable location for your TV. Consider viewing distance and ambient light. The TV can be wall-mounted using the included Slim Fit Wall Mount or placed on a stand.
- 2. Connect One Connect Box:** The One Connect Box centralizes all your connections. Connect the One Connect Cable from the TV to the One Connect Box.
- 3. Connect Peripherals:** Connect all external devices (e.g., cable box, gaming console, soundbar) to the One Connect Box using HDMI, USB, or other relevant ports.
- 4. Power Connection:** Connect the power cable to the One Connect Box, then plug it into a wall outlet.
- 5. Initial Power On:** Press the power button on the remote control to turn on the TV and follow the on-screen instructions for initial setup, including network connection and channel scanning.

Ficha de información del producto			
REGLAMENTO DELEGADO (UE) 2019/2013 DE LA COMISIÓN en lo relativo al etiquetado energético de las pantallas electrónicas			
Parámetro	Parámetro o valor y precisión		Unidad
1. Nombre o marca comercial del proveedor	Samsung		
Dirección del proveedor	Public Contact, Samsung PO Box 12987 Blackrock Co.Dublin Ireland		
2. Identificador del modelo	TQ50LS03DAU		
3. Clase de eficiencia energética para el rango dinámico normal (SDR)	G		
4. Demanda de potencia en modo encendido en SDR	70,0		W
5. Clase de eficiencia energética para el alto rango dinámico (HDR)	G		
6. Demanda de potencia en modo encendido en HDR, si se aplica	124		W
7. Demanda de potencia en modo desactivado, si procede	no aplicable		W
8. Demanda de potencia en modo preparado, si procede	0,5		W
9. Demanda de potencia en modo preparado en red, si procede	2,0		W
10. Categoría de pantalla electrónica	Televisión		
11. Ratio de tamaño	16	:	9
12. Resolución de pantalla	3 840	x	2 160
13. Diagonal de la pantalla	125,0		cm
14. Diagonal de la pantalla	50		pulgadas
15. Superficie visible de la pantalla	67,5		dm ²
16. Tecnología usada en el panel	QLED LCD		
17. Control automático de brillo (ABC) disponible	Sí		
18. Sensor de reconocimiento vocal disponible	No		
19. Sensor de presencia disponible	No		
20. Frecuencia de refresco de la imagen (por defecto)	60		Hz
21. Disponibilidad mínima garantizada de actualizaciones de software y de firmware (a partir de la fecha de introducción en el mercado de la última unidad)	8		Años
22. Disponibilidad mínima garantizada de piezas de recambio (a partir de la fecha de introducción en el mercado de la última unidad)	7		Años
23. Disponibilidad mínima garantizada de asistencia para el producto	7		Años
Duración mínima de la garantía general ofrecida por el proveedor	2		Años

Página 1 / 2

24. Tipo de fuente de alimentación	Interna	
25. Fuente de alimentación externa (no normalizada e incluida en la caja del producto)		
i	-	
ii	Tensión de entrada	- V
iii	Tensión de salida	- V
26. Fuente de alimentación externa normalizada (o una adecuada, si no está incluida en la caja del producto)		
i	-	
ii	Tensión de salida requerida	- V
iii	Intensidad de corriente requerida (mínima)	- A
iv	Frecuencia de corriente requerida	- Hz

Figure 2: Product Dimensions. This diagram illustrates the precise measurements of the 50-inch Samsung The Frame TV, including screen width (1124.1 mm), screen height without stand (644.9 mm), depth without stand (24.9 mm), screen height with stand (679.2 mm), and depth with stand (227.8 mm).

OPERATING INSTRUCTIONS

Basic Operation

- **Power On/Off:** Press the Power button on the remote control to turn the TV on or off.
- **Input Source:** Use the Source button on the remote to switch between connected devices (HDMI 1, HDMI 2, TV, etc.).
- **Volume Control:** Use the Volume Up/Down buttons to adjust the sound level.
- **Channel Navigation:** Use the Channel Up/Down buttons to change TV channels (if applicable).

Art Mode

The Frame TV's signature feature allows it to display artwork or personal photos when not in use, transforming your TV into a piece of art.

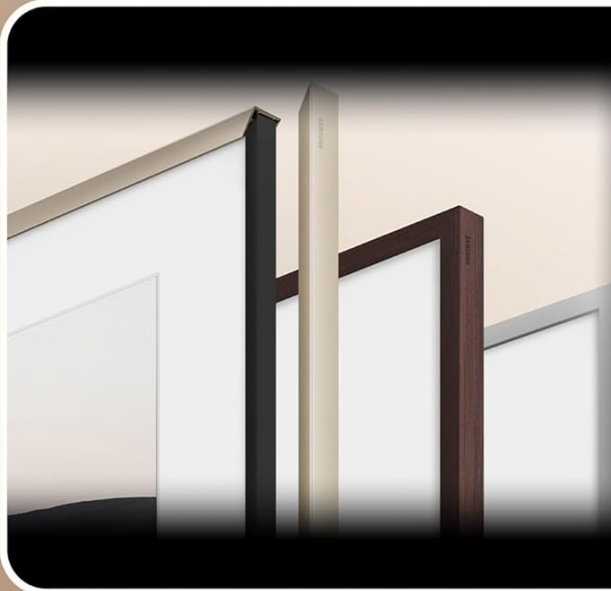


Figure 3: Art Mode in Action. The Samsung The Frame TV seamlessly displays a beautiful painting, appearing like a framed artwork rather than a television screen.

- **Activating Art Mode:** Press the Art Mode button on your remote or simply turn off the TV. The TV will automatically switch to Art Mode.
- **Matte Display:** The innovative Matte Display significantly reduces glare and reflections, making the displayed art look more realistic, even in brightly lit rooms.

¡Tus obras y contenido, sin reflejos!

La luz no será un impedimento para disfrutar de más de 2.500 obras, tus fotos o tu serie favorita.



Tu marco, tu estilo

Cámbialo siempre que quieras. Además, con el soporte de pared incluido en la caja, quedará colgado con un auténtico cuadro.

Figure 4: Matte Display Advantage. This image demonstrates the effectiveness of the Matte Display, showing how it eliminates reflections from light sources, ensuring your art and content are viewed without glare.

- **Art Store:** Access a vast collection of over 2,500 artworks from world-renowned galleries and artists through the Art Store (subscription may be required for full access).
- **My Collection:** Upload your own photos to display them in Art Mode.
- **Interchangeable Bezels:** Customize the look of your TV to match your decor. Bezels are available in various colors and styles (sold separately) and attach magnetically.

Más de 1.000 millones de colores

Convierte la luz en más de 1.000 millones de colores a cualquier nivel de brillo.



Olvídate de los cables

Unifica todos tus cables en uno solo y consigue un entorno más limpio y ordenado gracias al One Connect*.

Figure 5: Interchangeable Bezels. This image showcases the variety of interchangeable bezels, allowing you to personalize your TV's frame to complement your interior design.

Smart Hub and Apps

The Smart Hub provides access to a wide range of streaming services, apps, and connected devices.

- **Navigation:** Use the directional pad on your remote to navigate the Smart Hub menu.
- **App Store:** Download and install new applications from the Samsung App Store.
- **Universal Guide:** Get personalized content recommendations based on your viewing habits.

Remote Control

The included remote control is designed for intuitive navigation and control of your The Frame TV.

El TV que ahorra energía

Samsung aún más ecológico. Reduce el consumo de energía en el uso diario y en el proceso de producción



Diseño



Frame

Remote Control



Figure 6: Remote Control. This image shows the sleek design of the Samsung The Frame TV and its accompanying remote control, which is designed for ease of use.

- **SolarCell Remote:** The remote features a solar panel on the back for charging, reducing the need for disposable batteries. It can also be charged via USB-C.
- **Voice Assistant:** Use the built-in voice assistant (e.g., Bixby, Alexa, Google Assistant) for hands-free control.
- **Dedicated Buttons:** Quick access buttons for popular streaming services like Netflix and Disney+.

KEY FEATURES

100% Color Volume with Quantum Dot

Experience breathtaking colors with Quantum Dot technology, which transforms light into over a billion shades, maintaining vibrancy at any brightness level.

Controla tu casa con SmartThings

Usa tu TV como mando de control.
¡Hay miles de dispositivos compatibles!

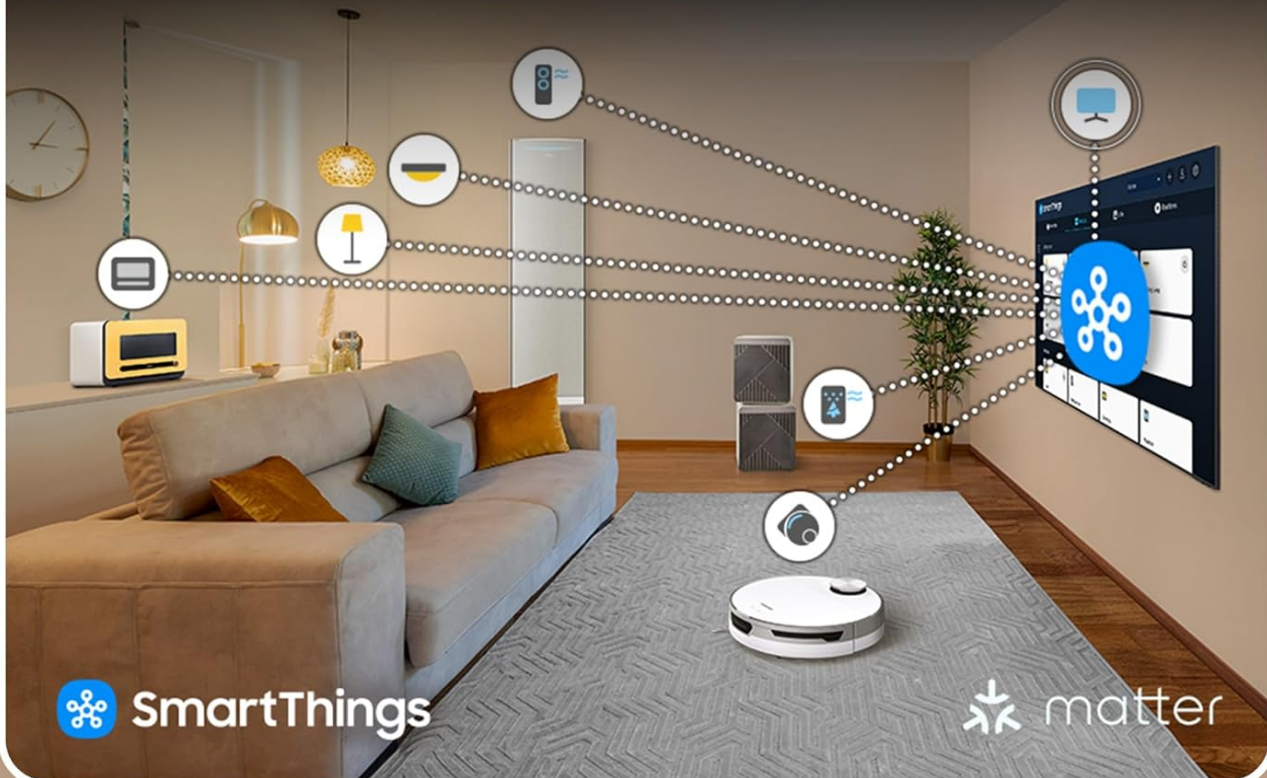


Figure 7: Quantum Dot Technology. This image highlights the capability of Quantum Dot technology to produce over 1 billion colors, ensuring rich and accurate color reproduction.

One Connect Box and Nearly Invisible Cable

The One Connect Box simplifies cable management by consolidating all your device connections into a single, external box. A single, nearly invisible cable then connects the box to the TV, allowing for a clean and clutter-free installation.



Sin consola. Sin descargas. Todo desde la nube con Samsung Gaming Hub

Accede a tus plataformas favoritas de cloud gaming, juegos y apps sin necesidad de consola, solo con tu TV y un mando bluetooth.

1

Juega desde la nube

Todos tus juegos y apps en un mismo sitio.



2

Solo necesitas tu mando favorito

¡Compatible con la mayoría de mandos bluetooth.³



3

Juego fluido y sin cortes

Con la tecnología AMD FreeSync Premium Pro disfrutarás de un juego fluido en HDR con baja latencia de entrada.⁴



4

Te recomienda

Gracias a la Inteligencia Artificial aprende de tus gustos y te ofrece recomendaciones⁵



5

El TV se adapta a tu juego

Con AI Auto Game Mode dejarás de preocuparte por los ajustes del TV para disfrutar plenamente del juego... ¡lo hace automáticamente!



6

Tu juego, como tú quieras

Ratio de pantalla 21:9 o 32:9, Mini Map Zoom, FPS, HDR, VRR... accede a lo que quieras de una forma rápida.⁵



Figure 8: One Connect System. This image illustrates how the One Connect Box and its nearly invisible cable help maintain a clean and organized entertainment area by centralizing all connections away from the TV itself.

SmartThings Integration

Control your smart home devices directly from your The Frame TV using the SmartThings app. The TV acts as a central hub for compatible smart devices.

¿Por qué no dar el salto a una pulgada mayor?

Distancia del TV	Tamaño
2,1m	65"
2,3m	75"
2,6m	85"

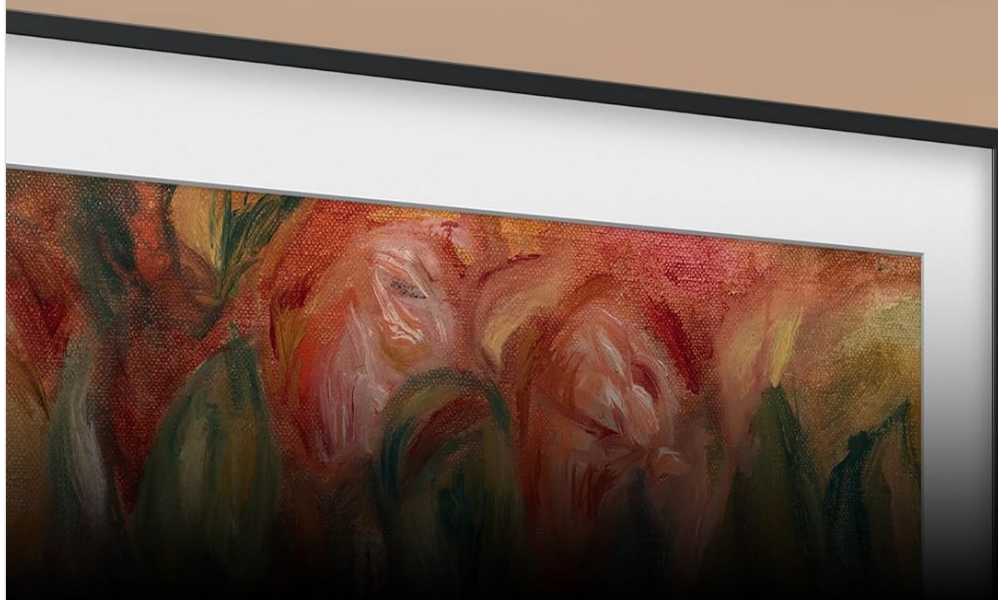
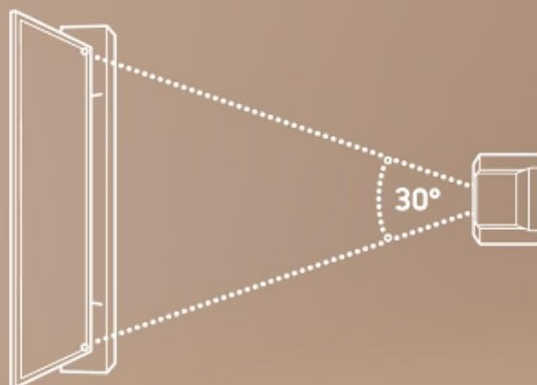


Figure 9: SmartThings Control. This visual demonstrates the TV's capability to serve as a command center for your smart home, connecting to thousands of compatible devices through SmartThings.

Samsung Gaming Hub

Access cloud gaming platforms directly from your TV without the need for a console or downloads. Simply connect your favorite Bluetooth controller and start playing.

La pareja perfecta con Q-Symphony

Combina tu The Frame LS03 con la
barra de sonido Music Frame.



*Q-Symphony: comprueba la compatibilidad con Q-Symphony en las especificaciones del producto de la barra de sonido. La barra de sonido se vende por separado.

Figure 10: Samsung Gaming Hub. This image explains how the Samsung Gaming Hub allows users to play games directly from the cloud, offering a smooth experience with AI-driven recommendations and automatic game settings adaptation.

Q-Symphony

When paired with a compatible Samsung soundbar, Q-Symphony allows the TV's speakers and the soundbar to operate simultaneously, creating a richer and more immersive audio experience.

¿Qué hay en la caja?



LS03



Remote Control



Cable de Alimentación



Caja One Connect

Figure 11: Q-Symphony Integration. This image shows The Frame TV combined with a Music Frame soundbar, demonstrating the Q-Symphony feature for a synchronized and enhanced audio experience.

MAINTENANCE

Cleaning Your TV

- **Screen:** Gently wipe the screen with a soft, dry microfiber cloth. For stubborn smudges, lightly dampen the cloth with distilled water or a screen-specific cleaning solution (do not spray directly on the screen).
- **Body and Bezel:** Use a soft, dry cloth to wipe the TV's body and interchangeable bezels. Avoid abrasive cleaners or solvents.
- **One Connect Box:** Keep the One Connect Box and its ports free of dust. Use a soft, dry cloth for cleaning.

Software Updates

Regularly update your TV's software to ensure optimal performance, access new features, and enhance security.

- **Automatic Updates:** Enable automatic software updates in the TV settings for convenience.

- **Manual Updates:** You can check for and install updates manually via the TV's settings menu (Settings > Support > Software Update).
- **USB Update:** In some cases, updates can be performed via USB. Refer to Samsung's support website for detailed instructions.

TROUBLESHOOTING

This section provides solutions to common issues you might encounter with your Samsung The Frame TV.

Problem	Possible Solution
No power / TV does not turn on.	<ul style="list-style-type: none"> • Ensure the power cable is securely connected to the One Connect Box and the wall outlet. • Check if the wall outlet is functioning by plugging in another device. • Try a different power outlet. • Press the power button on the TV itself (if available) to rule out a remote issue.
No picture / Black screen.	<ul style="list-style-type: none"> • Verify the correct input source is selected (e.g., HDMI 1, TV). • Check the connection between the One Connect Box and the TV, and between the One Connect Box and the external device. • Restart the external device. • Perform a power cycle: unplug the TV and One Connect Box from the power outlet for 1 minute, then plug them back in.
Remote control not working.	<ul style="list-style-type: none"> • Ensure there are no obstructions between the remote and the TV. • Charge the SolarCell remote by exposing its solar panel to light or by connecting a USB-C cable. • If using a battery-powered remote (not standard for this model but for general troubleshooting), replace the batteries. • Try pairing the remote again (refer to the TV's e-manual for specific pairing instructions).
Wi-Fi connection issues.	<ul style="list-style-type: none"> • Restart your Wi-Fi router and modem. • Ensure the TV is within range of your Wi-Fi network. • Check the Wi-Fi password entered on the TV. • Try connecting the TV to your router via an Ethernet cable if possible, to rule out Wi-Fi specific issues.

SPECIFICATIONS

Detailed technical specifications for the SAMSUNG The Frame TV 4K 2024 50LS03D.

Feature	Detail
Brand	SAMSUNG
Model Number	TQ50LS03DAUXXC
Screen Size	50 Inches
Display Technology	QLED

Feature	Detail
Resolution	4K (3840 x 2160)
Refresh Rate	50 Hz
Operating System	Tizen
Connections	Bluetooth, Wi-Fi, Ethernet, 4x HDMI, 2x USB
Special Features	Flat Screen, Art Mode, Matte Display, Interchangeable Bezels, One Connect Box, SmartThings, Gaming Hub
Included Components	Remote control, user manual, e-manual, power cable
Product Dimensions (DxWxH)	22.8D x 112.4W x 67.9H cm (with stand)
Color	Black

Energy Information



Figure 12: EU Energy Label. This label provides energy efficiency information for the TQ50LS03DAU model, indicating its energy class and consumption for both SDR and HDR content. For more details, visit the official EU EPREL database: <https://eprel.ec.europa.eu/qr/1875338>



Figure 13: Product Information Sheet. This sheet provides comprehensive technical data and regulatory compliance details for the television, including information on software updates and spare parts availability.

WARRANTY AND SUPPORT

Warranty Information

Your Samsung The Frame TV 4K 2024 50LS03D comes with a minimum manufacturer's warranty of **2 years** from the date of purchase. This warranty covers manufacturing defects and malfunctions under normal use. Please retain your proof of purchase for warranty claims.

For detailed warranty terms and conditions, please refer to the warranty card included with your product or visit the official Samsung support website for your region.

Customer Support

For technical assistance, troubleshooting, or service requests, please contact Samsung Customer Support. You can find contact information and additional resources on the official Samsung website:

- **Online Support:** Visit www.samsung.com/support
- **Phone Support:** Refer to your region's Samsung website for local contact numbers.
- **E-Manual:** A comprehensive e-manual is available directly on your TV for detailed instructions and features.

Please have your TV's model number (TQ50LS03DAUXXC) and serial number ready when contacting support.