

[Manuals.plus](#) /

> [VASAGLE](#) /

> VASAGLE UKKS119Y01 Bakers Rack with Power Outlet - Instruction Manual

VASAGLE UKKS119Y01

VASAGLE UKKS119Y01 Bakers Rack with Power Outlet - Instruction Manual

Model: UKKS119Y01

INTRODUCTION

Thank you for choosing the VASAGLE UKKS119Y01 Bakers Rack with Power Outlet. This manual provides essential information for the safe assembly, proper operation, and effective maintenance of your new kitchen storage unit. Please read these instructions carefully before assembly and retain them for future reference.





Image: The VASAGLE UKKS119Y01 Bakers Rack, showcasing its six shelves, integrated power outlet, and S-hooks, fully stocked with various kitchen appliances and decor.

IMPORTANT SAFETY INFORMATION

To ensure safe use and prevent damage, please adhere to the following guidelines:

- Always secure the kitchen baker's rack to the wall using the included anti-tip kit. This prevents accidental tipping and enhances stability.
- Ensure the adjustable feet are properly adjusted to level the unit and prevent scratches on the floor.

- Do not exceed the maximum weight limit of **120 pounds (54.4 kg)** for the entire unit. Distribute weight evenly across shelves.
- Keep children and pets away from the unit during assembly.
- Only use the integrated power outlet for appliances within its specified electrical ratings (120V/15A, Max. Power 1875 Watts).

INCLUDED COMPONENTS

Before beginning assembly, verify that all parts are present:

- 1 x Kitchen Baker's Rack (disassembled)
- 1 x Assembly Kit (hardware and tools)
- 1 x Instructions Manual
- 6 x S-Hooks
- 1 x Anti-Tip Kit

SETUP AND ASSEMBLY

Assembly is required for this product. Follow the step-by-step instructions provided in the separate assembly manual included with your purchase. Ensure you have adequate space and the necessary tools before starting.

Key Assembly Features:

- **Detachable and Adjustable Shelves:** The unit features two detachable shelves in the upper section and a middle shelf in the lower section with two height options (approximately 4.9 inches / 12.4 cm adjustment) to accommodate items of various sizes.
- **Power Strip Installation:** The integrated power strip can be installed on either the left or right side of the main worktop, based on your preference and kitchen layout.
- **Anti-Tip Kit:** Always install the anti-tip kit to secure the rack to the wall for enhanced safety and stability.

Detachable & Adjustable Shelves

Fit items of various sizes



- 2 detachable shelves in the upper section
- The middle shelf in the lower section has 2 height options

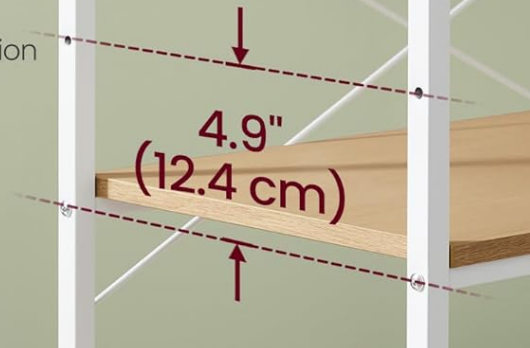


Image: A diagram illustrating the detachable upper shelves and the two height options for the middle lower shelf, allowing for flexible storage configurations.

Power Strip on the Left or Right

2 installation options to fit your preference



Image: A visual guide demonstrating the option to install the power strip on either the left or right side of the bakers rack.

OPERATING INSTRUCTIONS

Using the Power Outlet:

The bakers rack is equipped with a built-in power strip featuring 4 AC outlets. This allows you to conveniently power kitchen appliances directly from the unit.

- Connect the rack's power cord (4.9 ft / 1.5 m) to a standard 120V wall outlet.
- Use the integrated On/Off switch to control power to the outlets.
- Ensure total power consumption of connected devices does not exceed 1875 Watts.



Image: A detailed view of the built-in power strip, highlighting its 4 AC outlets, On/Off switch, 120V/15A rating, 1875 Watts max power, and 4.9 ft extension cord. Also includes overall product dimensions.

Utilizing Storage Space:

The 6-tier design offers versatile storage solutions:

- **Upper Shelves:** Three shelves are ideal for spices, bottles, and smaller kitchen items.
- **Large Worktop:** Provides a spacious surface for coffee machines, stand mixers, or food preparation.
- **Lower Shelves:** Three large shelves are suitable for microwaves, air fryers, pots, pans, and other kitchen appliances. The middle lower shelf is adjustable.
- **S-Hooks:** Six included S-hooks can be attached to the side frames for hanging cooking utensils, towels, or oven mitts.

Ample Storage Space



3 Upper Shelves

Keep spices within hands' reach



Large Worktop

Spacious for all your kitchen tasks



2 Lower Shelves

Perfect spot for kitchen appliances



Image: An infographic detailing the storage capabilities of the baker's rack, including 3 upper shelves, a large worktop, and 2 lower shelves, with icons representing various kitchen items.



6 S-Hooks



Anti-Tip Kit

Image: Close-up views of the six S-hooks for hanging utensils and the anti-tip kit for securing the rack to the wall.

MAINTENANCE

To maintain the appearance and longevity of your bakers rack:

- Wipe surfaces with a dry cloth regularly to remove dust and spills.
- Avoid using harsh chemicals or abrasive cleaners, which can damage the finish.
- Periodically check all screws and connections to ensure they remain tight.

TROUBLESHOOTING

Unit is Wobbly:

- Ensure all screws are tightened securely.

- Adjust the leveling feet at the bottom of the unit to compensate for uneven floors.
- Verify the anti-tip kit is correctly installed and secured to the wall.

Power Outlets Not Working:

- Check if the power cord is securely plugged into both the rack and the wall outlet.
- Ensure the On/Off switch on the power strip is in the 'On' position.
- Verify that the wall outlet itself is functional by testing it with another appliance.
- Do not overload the power strip; ensure total wattage does not exceed 1875 Watts.

SPECIFICATIONS

| Feature | Detail |
|-----------------------|--|
| Model Name | Bakers Rack with Power Outlet, 31.5 Inches Coffee Bar for Kitchen with Storage |
| Model Number | UKKS119Y01 |
| Brand | VASAGLE |
| Product Dimensions | 15.7"D x 31.5"W x 65.7"H (40 cm D x 80 cm W x 167 cm H) |
| Item Weight | 46.7 Pounds (21.2 kg) |
| Weight Limit | 120 Pounds (54.4 kg) |
| Number of Shelves | 6 |
| Upper Shelf Depth | 7.9" (20 cm) |
| Lower Shelf Depth | 15.6" (39.5 cm) |
| Material | Particleboard, Steel |
| Finish Type | Oak + White |
| Power Outlet Type | 4 AC Outlets |
| Electrical Rating | 120V/15A |
| Max. Power Output | 1875 Watts |
| Extension Cord Length | 4.9 ft (1.5 m) |
| Assembly Required | Yes |
| Installation Type | Freestanding |



Image: A comprehensive diagram displaying all key dimensions of the bakers rack, including shelf heights, widths, and depths, along with power strip electrical specifications.

WARRANTY AND SUPPORT

For any questions, concerns, or issues regarding your VASAGLE UKKS119Y01 Bakers Rack, please refer to the contact information provided in your purchase documentation or visit the official VASAGLE website for customer support.

