

[Manuals.plus](#) /

› [Tribesigns](#) /

› Tribesigns Slim Storage Cart User Manual

Tribesigns JW0138

Tribesigns Slim Storage Cart User Manual

Model: JW0138

PRODUCT OVERVIEW

The Tribesigns Slim Storage Cart is a versatile 4-tier rolling utility cart designed to maximize storage in narrow spaces. Its robust metal frame and engineered wood shelves provide ample capacity for various items, making it ideal for kitchens, laundry rooms, living rooms, and more. Equipped with swivel casters and a handle, this cart offers excellent mobility and ease of placement.



Image: The Tribesigns Slim Storage Cart in a kitchen, demonstrating its narrow profile and storage capacity for spices and other goods.

PACKAGE CONTENTS

Before assembly, please ensure all parts are present and undamaged. Refer to the included parts list in your physical instruction manual for a complete inventory.

- Metal Frame Components
- 4 x Engineered Wood Shelves
- 4 x Swivel Casters (Wheels)
- Handle
- Assembly Hardware (screws, wrench, etc.)
- Instruction Manual

SETUP AND ASSEMBLY

Assembly of the Tribesigns Slim Storage Cart is designed to be straightforward. Follow the detailed step-by-step instructions provided in the package. No professional installation is required.

1. **Unpack Components:** Carefully remove all parts from the packaging and lay them out on a clean, flat surface. Verify all components against the parts list.
2. **Attach Casters:** Securely attach the four swivel casters to the base of the metal frame. Ensure they are tightened properly for stability and smooth movement.
3. **Assemble Frame:** Connect the vertical metal frame components according to the diagrams in your manual. Use the provided hardware to secure connections.
4. **Install Shelves:** Slide or place the engineered wood shelves into their designated slots or onto the support bars within the metal frame. Ensure each shelf is level and securely seated.
5. **Attach Handle:** Fasten the handle to the top section of the cart as indicated in the instructions.
6. **Final Check:** Once assembled, gently shake the cart to ensure all connections are secure and the cart is stable.

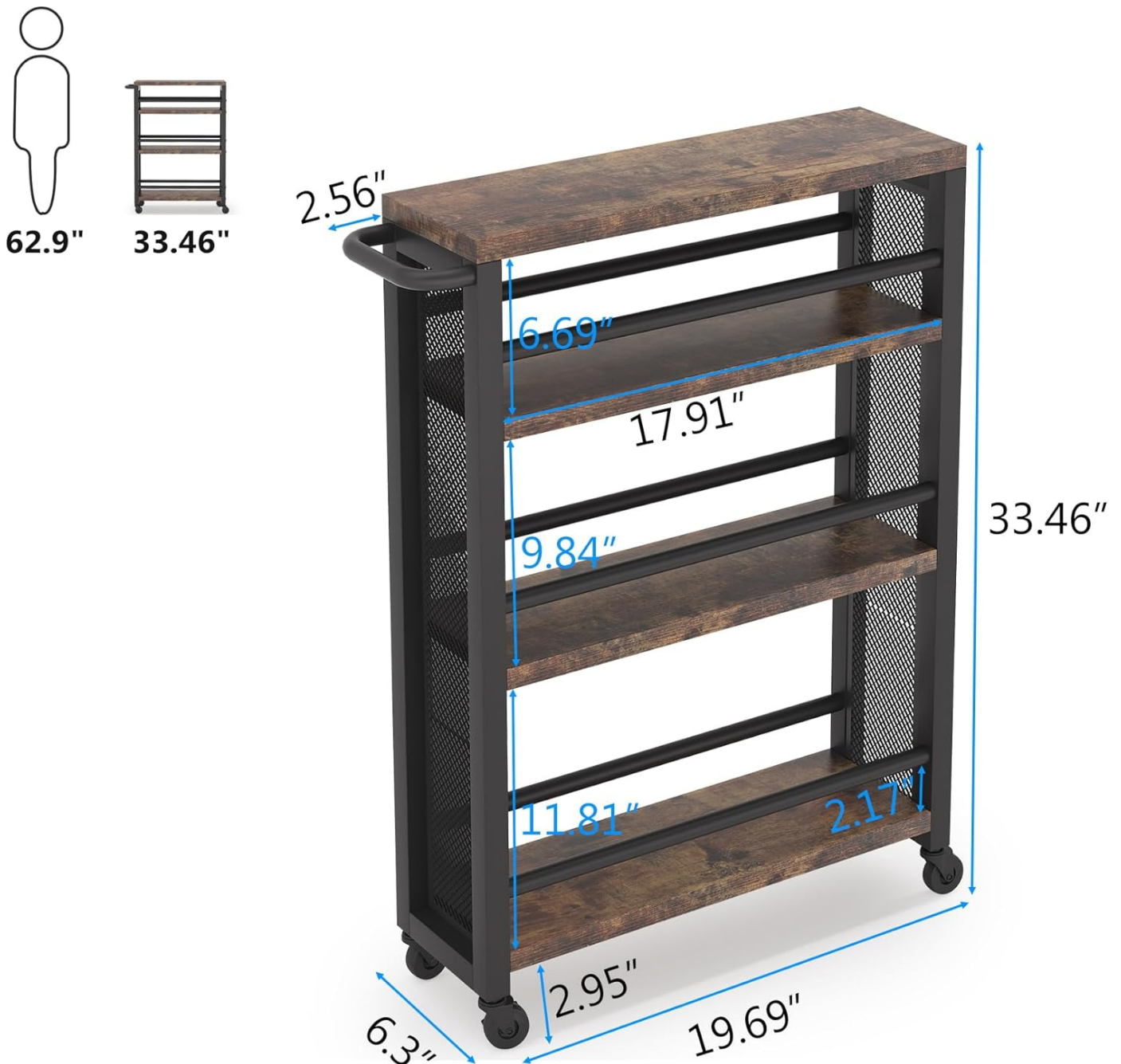


Image: A detailed diagram illustrating the dimensions of the assembled cart, useful for planning placement.

The Tribesigns Slim Storage Cart is designed for easy use and mobility.

- **Loading the Cart:** Distribute items evenly across the four tiers to maintain balance and stability. The cart is capable of holding various items from groceries to books.
- **Moving the Cart:** Utilize the integrated handle to push or pull the cart. The swivel casters allow for smooth gliding over various floor surfaces.
- **Placement:** Its slim design (6.3 inches deep) allows it to fit into narrow spaces, such as between appliances, next to cabinets, or in small nooks.



Image: The storage cart used in a living room, showcasing its versatility beyond just kitchen use.

MAINTENANCE AND CARE

To ensure the longevity and appearance of your Tribesigns Slim Storage Cart, follow these simple care instructions:

- **Cleaning:** Wipe the cart with a dry cloth to remove dust and spills. Avoid using harsh chemicals or abrasive cleaners that could damage the finish.

- **Inspection:** Periodically check all screws and connections to ensure they remain tight. Retighten if necessary.
- **Caster Care:** Keep the casters free of debris (hair, lint, etc.) to ensure smooth rolling.



Image: The storage cart positioned in a laundry room, demonstrating its utility for organizing laundry and cleaning supplies.

TROUBLESHOOTING AND SAFETY

Adhering to safety guidelines and basic troubleshooting can enhance your experience with the cart.

Safety Precautions:

- **Weight Capacity:** Do not exceed the maximum weight recommendation of 50 pounds. Overloading can compromise stability and cause damage.
- **Uneven Surfaces:** Use caution when moving the cart on uneven surfaces to prevent tipping.
- **Children and Pets:** Keep children and pets away from the cart during assembly and ensure it is stable before use.
- **Assembly:** Follow all assembly instructions carefully to avoid injury.

Common Issues:

- **Cart is Wobbly:** Ensure all screws and connections are tightened. Check that the shelves are properly seated within the frame.
- **Wheels Not Rolling Smoothly:** Inspect casters for any trapped debris (e.g., hair, lint) and remove it. Ensure casters are securely attached.
- **Difficulty Assembling:** Double-check the instruction manual diagrams. Ensure you are using the correct hardware for each step. If a part seems difficult to fit, re-examine the orientation.

SPECIFICATIONS

Feature	Detail
Product Dimensions	6.3"D x 19.7"W x 33.46"H
Shelf Type	Tiered Shelf
Frame Material	Metal
Brand	Tribesigns
Color	Brown
Furniture Finish	Engineered Wood
Style	Modern
Maximum Weight Recommendation	50 Pounds
Size	Small
Product Care Instructions	Wipe with Dry Cloth
Assembly Required	Yes
Number of Shelves	4
Item Weight	17 pounds
Model Number	JW0138
Country of Origin	China
Date First Available	March 12, 2024

WARRANTY AND SUPPORT

Tribesigns is committed to providing quality products. While specific warranty details are typically provided with your purchase documentation, additional protection plans may be available for extended coverage.

For any questions, concerns, or assistance with your Tribesigns Slim Storage Cart, please contact Tribesigns customer support. You can often find contact information on the product packaging, the official Tribesigns website, or through the retailer where you purchased the product.

Visit the official Tribesigns store for more information: [Tribesigns Store](#)



