

Manuals+

[Q & A](#) | [Deep Search](#) | [Upload](#)

manuals.plus /

› [vidaXL](#) /

› [vidaXL Garden Storage Box with Wheels \(Model 365317\) - Instruction Manual](#)

vidaXL 365317

vidaXL Garden Storage Box with Wheels (Model 365317) - Instruction Manual

Brown PE Rattan 74.8 Gallon Outdoor Cushion Container

1. INTRODUCTION

Thank you for choosing the vidaXL Garden Storage Box with Wheels. This manual provides essential information for the safe assembly, proper operation, and effective maintenance of your storage box. Please read these instructions carefully before use and retain them for future reference.

This garden storage box is designed for outdoor use, offering a convenient solution for storing cushions, garden tools, and other outdoor items. Its durable PE rattan construction, robust steel frame, and integrated wheels ensure longevity and ease of use.

2. SAFETY INFORMATION

- **Read all instructions:** Before assembly and use, ensure you have read and understood all instructions in this manual.
- **Adult assembly required:** Assembly should be performed by adults. Keep children away from the assembly area.
- **Check all parts:** Before assembly, verify that all components are present and undamaged. Do not use if any parts are missing or broken.
- **Stable surface:** Place the storage box on a flat, stable, and level surface to prevent tipping.
- **Weight limit:** Do not overload the storage box. Distribute weight evenly.
- **Children and pets:** Do not allow children or pets to play inside the storage box to prevent entrapment or suffocation.
- **Moving the box:** When moving the box, ensure the lid is securely closed and use the designated handle and wheels. Avoid moving over uneven terrain with heavy loads.
- **Weather conditions:** While weather-resistant, extreme weather conditions (e.g., strong winds, heavy snow) may require additional securing or indoor storage.

3. PACKAGE CONTENTS

Please check that all the following components are included in your package:

- Storage Box Panels (sides, front, back, bottom, lid)
- Wheels (2 units)
- Handle (1 unit)
- Gas Spring Mechanism (for lid)
- Removable Water-Resistant Inner Bag
- Assembly Hardware (screws, bolts, nuts, washers, tools if provided)
- Instruction Manual

4. SETUP AND ASSEMBLY

Follow these steps to assemble your garden storage box. It is recommended to have two people for assembly.

1. **Unpack and Identify Parts:** Carefully remove all components from the packaging. Lay them out on a clean, soft surface to prevent scratches. Refer to the parts list to ensure all items are present.
2. **Assemble the Base:** Connect the side, front, and back panels to the bottom panel using the provided hardware. Ensure all connections are secure but do not overtighten until the entire frame is assembled.
3. **Attach Wheels:** Secure the two wheels to one end of the storage box base using the appropriate hardware. Ensure they are firmly attached and can rotate freely.
4. **Install Handle:** Attach the handle to the opposite end of the storage box from the wheels. This handle will assist in moving the box.
5. **Attach Lid and Gas Spring:** Carefully attach the lid to the main body of the box using the hinges. Then, install the gas spring mechanism according to the diagrams. The gas spring assists in opening and closing the lid smoothly and safely.



Image 1: Fully assembled vidaXL Garden Storage Box with Wheels.



Image 2: The lid opening mechanism, showing the gas spring for smooth operation.



Image 3: Detail of the gas spring and the removable inner bag, secured with hook-and-loop fasteners.

6. **Insert Inner Bag:** Place the removable water-resistant inner bag inside the assembled storage box. Secure it using the hook-and-loop fasteners provided to prevent it from shifting.
7. **Final Check:** Ensure all screws are tightened and the box is stable. The lid should open and close smoothly with the gas spring assistance.

5. OPERATING INSTRUCTIONS

- **Opening the Lid:** Gently lift the lid. The gas spring will assist in opening it fully and holding it in place.
- **Closing the Lid:** Gently push the lid down. The gas spring will control the descent, ensuring a soft and safe closing. Avoid forcing the lid shut.
- **Storing Items:** Place items inside the removable water-resistant inner bag to protect them from moisture. Ensure the bag is properly secured within the box.
- **Moving the Storage Box:** To move the box, ensure the lid is closed. Grasp the handle firmly and tilt the

box slightly to engage the wheels. Roll the box to the desired location. Avoid dragging the box without using the wheels.

6. MAINTENANCE

Regular maintenance will extend the life and appearance of your storage box.

- **Cleaning PE Rattan:** Wipe the PE rattan surfaces with a soft cloth dampened with mild soap and water. Rinse with clean water and dry thoroughly. Avoid abrasive cleaners or brushes that could damage the material.
- **Cleaning Acacia Wood:** The acacia wood components (if any, e.g., wheel accents) should be cleaned with a damp cloth. For prolonged life, occasional treatment with wood oil is recommended.
- **Inner Bag Care:** The removable inner bag can be wiped clean with a damp cloth. Ensure it is completely dry before storing items to prevent mold or mildew.
- **Hardware Check:** Periodically check all screws and bolts to ensure they are tight. Retighten if necessary.
- **Winter Storage:** During harsh winter conditions, it is advisable to store the box indoors or cover it with a protective cover to prevent damage from extreme cold or snow.

7. TROUBLESHOOTING

- **Lid does not open/close smoothly:** Check the gas spring installation. Ensure it is correctly aligned and securely attached. Verify that no objects are obstructing the lid's movement.
- **Difficulty moving the box:** Ensure the wheels are clean and free of debris. Check that the wheels are securely attached and rotate freely. Avoid moving the box over very rough or soft surfaces when heavily loaded.
- **Water inside the box:** Ensure the removable inner bag is properly installed and secured with its hook-and-loop fasteners. Check for any tears or damage to the inner bag. While the box is weather-resistant, it is not fully waterproof; prolonged exposure to heavy rain may allow some moisture to seep in if the inner bag is not used or damaged.
- **Box feels unstable:** Verify that all assembly hardware is tightened. Ensure the box is placed on a flat and level surface.

8. SPECIFICATIONS

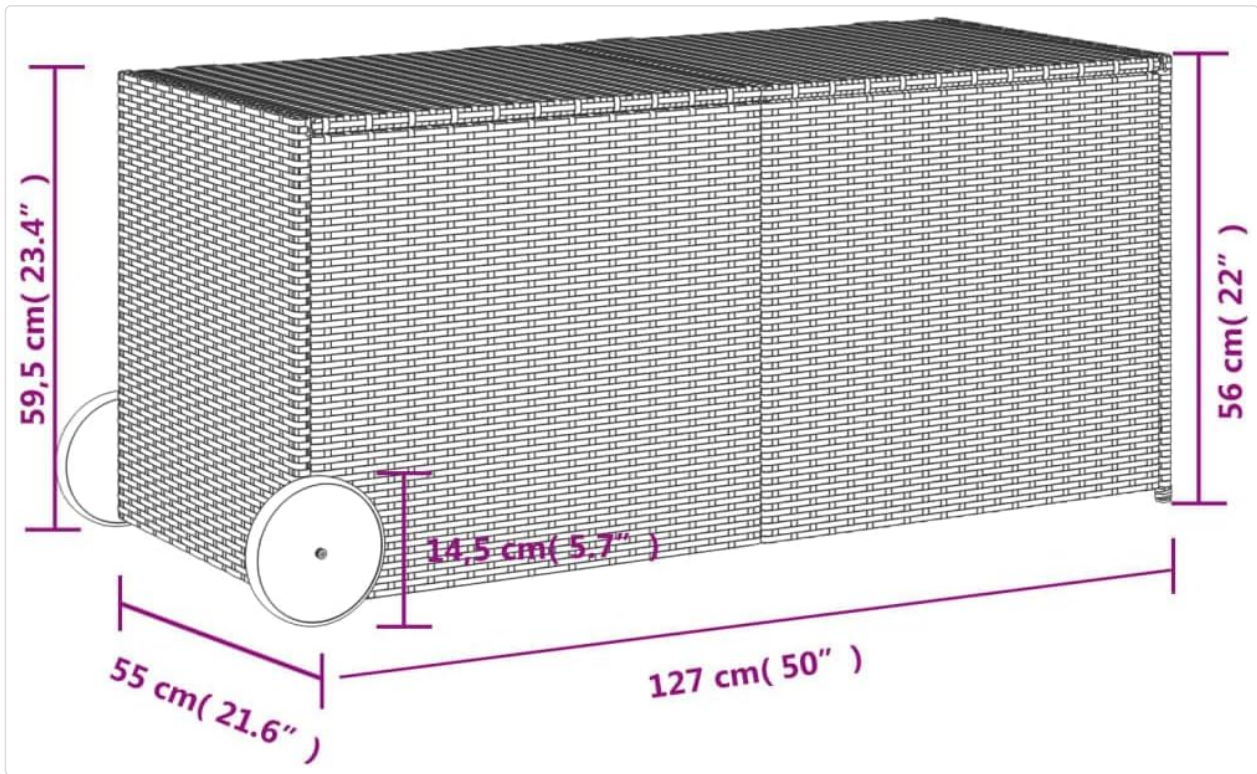


Image 4: Product dimensions for the vidaXL Garden Storage Box.

Feature	Detail
Model Number	365317
Material	PE Rattan (Polyethylene), Powder-coated Steel Frame, Solid Acacia Wood (wheel accents)
Color	Brown
Overall Dimensions (L x W x H)	50" x 21.7" x 22" (127 cm x 55 cm x 56 cm)
Capacity	74.8 Gallons (283 Liters)
Item Weight	26.4 lbs (12 kg)
Special Features	Wheels, Handle, Gas Spring-Assisted Lid, Removable Water-Resistant Inner Bag
Closure Type	Flip Top
Water Resistance Level	Water Resistant (with inner bag)

9. WARRANTY INFORMATION

vidaXL products are manufactured to high-quality standards. This product comes with a standard manufacturer's warranty against defects in materials and workmanship. Please refer to your purchase documentation or the vidaXL website for specific warranty terms and conditions applicable to your region.

The warranty does not cover damage caused by improper assembly, misuse, neglect, accidents, alterations, or normal wear and tear.

10. SUPPORT

If you have any questions, require assistance with assembly, or encounter any issues with your vidaXL Garden Storage Box, please contact vidaXL customer support.

- **Online Support:** Visit the official vidaXL website for FAQs, troubleshooting guides, and contact forms.
- **Contact Information:** Refer to your purchase invoice or the vidaXL website for the most current customer service contact details (phone number, email address).

Please have your model number (365317) and purchase date available when contacting support.