

[Manuals.plus](#) /

› [AMORIL](#) /

› AMORIL 1/10 RTR Brushless Fast RC Cars for Adults,Max 50mph Hobby Electric Off-Road Monster Truck,Waterproof High Speed RC Car 4WD Remote Control Car with 3S Lipo,Green Green 1:10

AMORIL RZ001G-A

AMORIL 1/10 RTR Brushless RC Monster Truck User Manual

Model: RZ001G-A

Brand: AMORIL

INTRODUCTION

This manual provides essential information for the safe operation, setup, maintenance, and troubleshooting of your AMORIL 1/10 RTR Brushless Fast RC Monster Truck. Designed for high-speed off-road performance, this 4WD remote control vehicle offers an exhilarating hobby experience. Please read this manual thoroughly before operating your RC truck to ensure optimal performance and longevity.

SAFETY PRECAUTIONS

Operating a high-speed RC vehicle requires caution. Adhere to the following safety guidelines:

- **Age Recommendation:** This product is recommended for users 14 years and up. Adult supervision is advised for younger operators.
- **Operating Environment:** Operate the RC truck in open, clear areas away from people, pets, and obstacles. Avoid public roads, crowded areas, and wet conditions unless specifically designed for it.
- **Battery Safety:** Use only the recommended 3S LiPo battery. Always charge batteries on a non-flammable surface and never leave charging batteries unattended. Disconnect batteries when not in use.
- **Heat Warning:** The motor and ESC can become very hot during operation. Avoid touching them immediately after use.
- **Water Resistance:** While the truck is waterproof, avoid submerging it or operating it in deep water to prevent damage to electronic components.
- **Pre-Run Checks:** Before each use, inspect the truck for any loose screws, damaged parts, or worn tires. Ensure all connections are secure.
- **Post-Run Care:** After use, clean the truck of dirt and debris. Store in a dry, cool place.

PACKAGE CONTENTS

Your AMORIL RC Monster Truck package includes the following items:

- 1 x AMORIL 1/10 RTR Brushless RC Monster Truck (Green)
- 1 x 2.4GHz 4-Channel Transmitter
- 1 x 3S 2200mAh LiPo Battery
- 1 x USB Charging Cable
- 1 x Wheelie Bar
- 1 x Spare Pinion Gear
- 1 x Accessory Kit (including battery straps, screws, tools)
- 1 x Product Instruction Manual



Image: Complete package contents including the RC truck, transmitter, battery, and various accessories.



Image: Detailed view of the abundant extra accessory kit, including tools, straps, and spare parts.

SETUP

1. Battery Installation

The AMORIL RC truck comes with an adjustable battery compartment to accommodate different battery sizes, including larger 3S 5000mAh LiPo batteries for extended run times.

- Open the battery compartment cover located on the chassis.
- Place the provided 3S 2200mAh LiPo battery into the compartment. Ensure the battery is securely fastened using the included battery straps.
- For larger batteries, you may need to adjust the battery compartment using the provided accessories. Refer to the video below for detailed instructions on extending the battery compartment.
- Connect the battery to the ESC (Electronic Speed Controller) using the XT60 connector.

ADJUSTABLE BATTERY COMPARTMENT

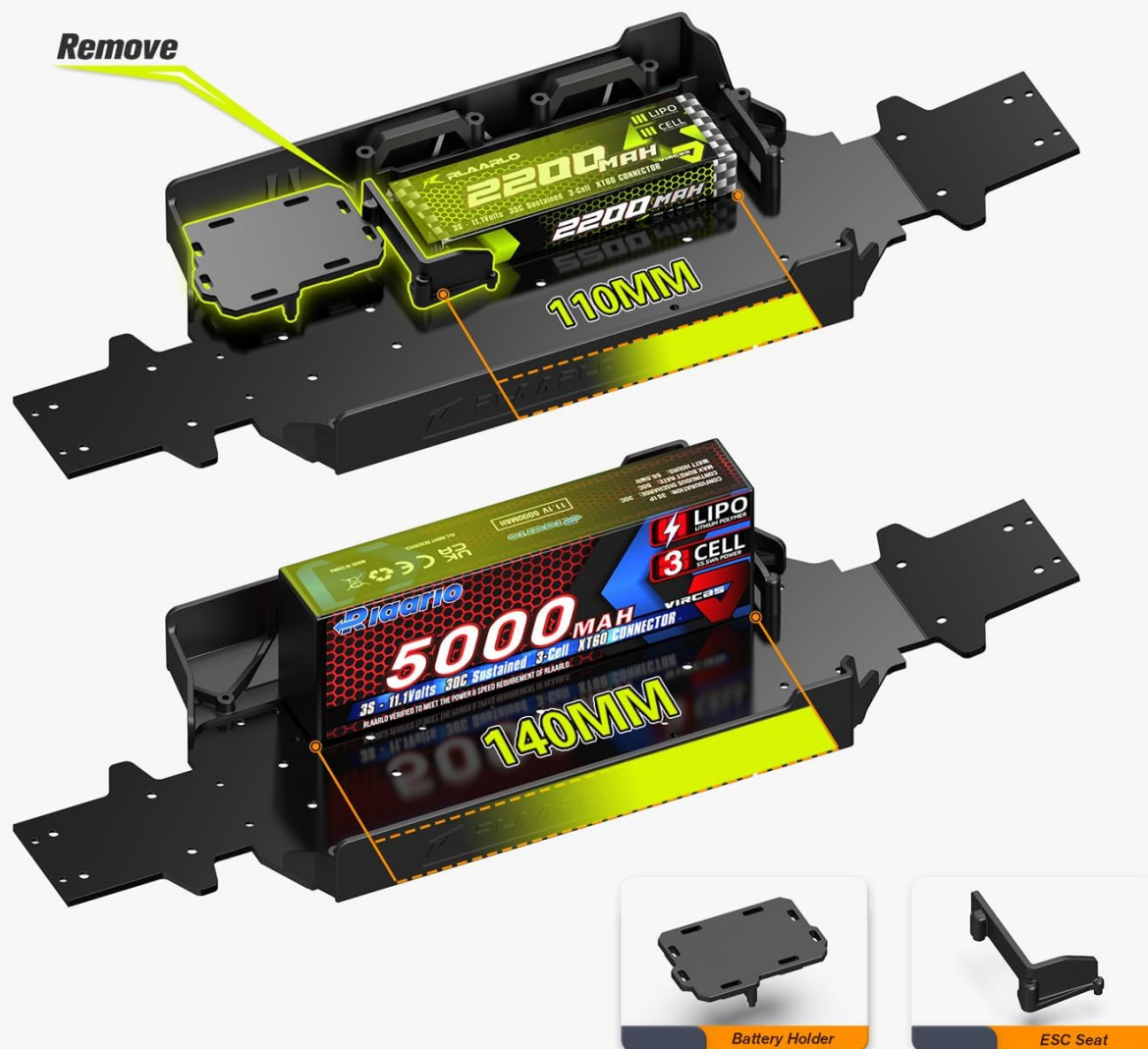


Image: The adjustable battery compartment, showing how it can be extended to fit larger 3S 5000mAh LiPo batteries.

Your browser does not support the video tag.

Video: "Extend the Battery Compartment to Fit 3S 5000mah Lipo" - This video demonstrates how to extend the battery compartment to fit larger batteries, ensuring proper installation and securing.

2. Transmitter Setup and Binding

The 2.4GHz 4-channel transmitter provides precise control over your RC truck. Follow these steps to set up and bind your transmitter:

- Ensure the transmitter has fresh batteries installed.
- Turn on the transmitter.
- On the RC truck, locate the receiver box and open it.
- Press and hold the "Bind" button on the receiver for a few seconds until the LED blinks.
- Turn on the ESC power button on the truck. The LED on the receiver should turn solid green, indicating a successful bind.

- If the binding process is unsuccessful, repeat the steps.

2.4GHZ 4CH TRANSMITTER DISTANCE:150M



Image: Detailed diagram of the 2.4GHz 4-channel transmitter, highlighting various controls and their functions.

Your browser does not support the video tag.

Video: "Instruction of how to use the controller to drive the car" - This video provides a comprehensive guide on setting up and using the transmitter, including the binding process and control adjustments.

OPERATING INSTRUCTIONS

Once your truck and transmitter are set up, you're ready to drive. Familiarize yourself with the controls for optimal performance.

Basic Controls:

- **Steering Wheel (Channel 1):** Turn left or right to control the truck's direction.

- **Throttle/Braking Trigger (Channel 2):** Pull the trigger to accelerate forward. Push the trigger to engage brakes or reverse.
- **Steering Trim:** Adjusts the center point of the steering. Use if the truck pulls to one side when the steering wheel is centered.
- **Throttle Trim:** Adjusts the neutral point of the throttle. Use if the truck moves slightly forward or backward when the trigger is at neutral.
- **Throttle Limiter (TH):** Controls the maximum throttle output. Useful for beginners or for operating in smaller spaces. Adjust to 50% for reduced speed or 100% for full power.
- **Reverse Switches (CH1, CH2, CH3, CH4):** These switches reverse the direction of the corresponding channel's output. For example, if steering is reversed, flip the CH1 reverse switch on the transmitter.

Driving Tips:

- Start slowly to get a feel for the controls, especially the throttle.
- Practice steering in open areas before attempting high-speed maneuvers.
- The truck is designed for off-road use. Utilize its 4WD and robust suspension on various terrains like grass, dirt, and gravel.
- Be mindful of obstacles and avoid direct collisions, especially at high speeds, to prevent damage.

MAINTENANCE

Regular maintenance will extend the life and performance of your AMORIL RC truck.

General Cleaning:

- After each run, especially in dusty or muddy conditions, clean the truck thoroughly.
- Use a soft brush or compressed air to remove loose dirt and debris from the chassis, suspension, and motor area.
- For stubborn dirt, a damp cloth can be used. Avoid using harsh chemicals or solvents.
- As noted in customer reviews, the electronics are water-resistant, allowing for careful rinsing with a shower wand after muddy runs (ensure battery is removed).

Battery Care:

- Always disconnect the battery from the ESC when not in use.
- Store LiPo batteries in a cool, dry place, ideally in a LiPo-safe bag.
- Never overcharge or over-discharge LiPo batteries. Follow the instructions provided with your charger.

Motor and ESC Care:

- The brushless motor and ESC are equipped with cooling fans and heatsinks. Ensure these are free of debris to prevent overheating.
- Regularly check motor and ESC temperatures during and after runs. If they are excessively hot, allow them to cool down before further operation.

Upgrades and Part Replacement:

The AMORIL RC truck is designed with upgradability in mind. Key areas for maintenance and potential upgrades include:

- **Steering Hub:** The steering hub can be upgraded to metal parts for increased durability and precision.
- **Suspension:** The truck features oil-filled absorbers and 7075 CNC shock towers. Regularly inspect these for leaks or damage. Carbon fiber suspension components are also available for enhanced performance.
- **Drivetrain:** The carbon steel central split differential and alloy spur gear are built for durability. Periodically check for wear and tear.

Your browser does not support the video tag.

Video: "How to Install Steering Hub Metal Upgrade Parts" - This video guides you through the process of upgrading the steering hub with metal components for improved durability.

Your browser does not support the video tag.

Video: "Carbon Fiber Suspension Review" - This video provides insights into the benefits and installation of carbon fiber suspension upgrades.

TROUBLESHOOTING

If you encounter issues with your AMORIL RC truck, refer to the common problems and solutions below:

Problem	Possible Cause	Solution
Truck does not respond to transmitter.	Battery low or disconnected. Transmitter not powered on. Not properly bound.	Charge/connect battery. Turn on transmitter. Perform binding process (see Setup section).
Steering is not straight or reversed.	Steering trim needs adjustment. Steering reverse switch is engaged.	Adjust steering trim on transmitter. Flip the CH1 reverse switch on the transmitter.
Truck moves slowly or lacks power.	Battery low. Throttle limiter set too low. Motor/ESC overheating.	Recharge battery. Adjust TH setting on transmitter. Allow components to cool down.
Unusual noises from drivetrain.	Debris in gears. Worn gears or bearings.	Inspect and clean gears. Replace worn components.

SPECIFICATIONS

- **Model Number:** RZ001G-A
- **Product Dimensions:** 17.13 x 10.43 x 6.3 inches
- **Item Weight:** 7.57 pounds
- **Motor:** Brushless 2845 3100KV
- **ESC:** 45A (supports 2S-3S LiPo)

- **Servo:** 11kg Metal-Gear Servo
- **Battery:** 1 x 3S 2200mAh LiPo (included)
- **Max Speed:** Up to 50mph (with 3S LiPo in optimum conditions)
- **Control Range:** Up to 150 meters
- **Drive System:** 4WD with Central Differential Transmission
- **Chassis:** 2.5mm Thickened Alloy Chassis
- **Shock Absorbers:** Oil-filled
- **Recommended Age:** 14 years and up

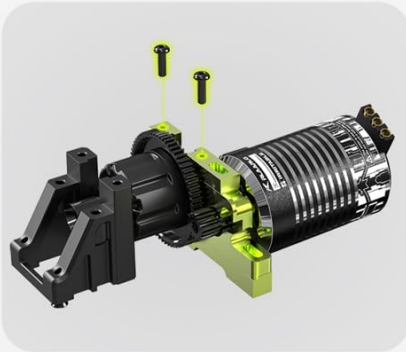


Image: Illustration of the powerful electronic components, including the brushless motor, ESC, and metal-gear servo.

TRIANGLE STRUCTURE DESIGN



UPGRADED:



Quick and Easy Central Diff Remove

The quick-release center differential and adjustable motor mount make it easy to replace 28-36 motor.



Carbon Steel Dog Bone

They are lighter and better balanced, increase the hardness and strength, improve car durability.



Upgraded Steering Ability

Built in fixed sleeves for stability, to improve the durability of the steering system and prevent steering damage.

Image: Diagram showcasing the original triangle geometric structure and upgraded components like the central diff and carbon steel dog bone.

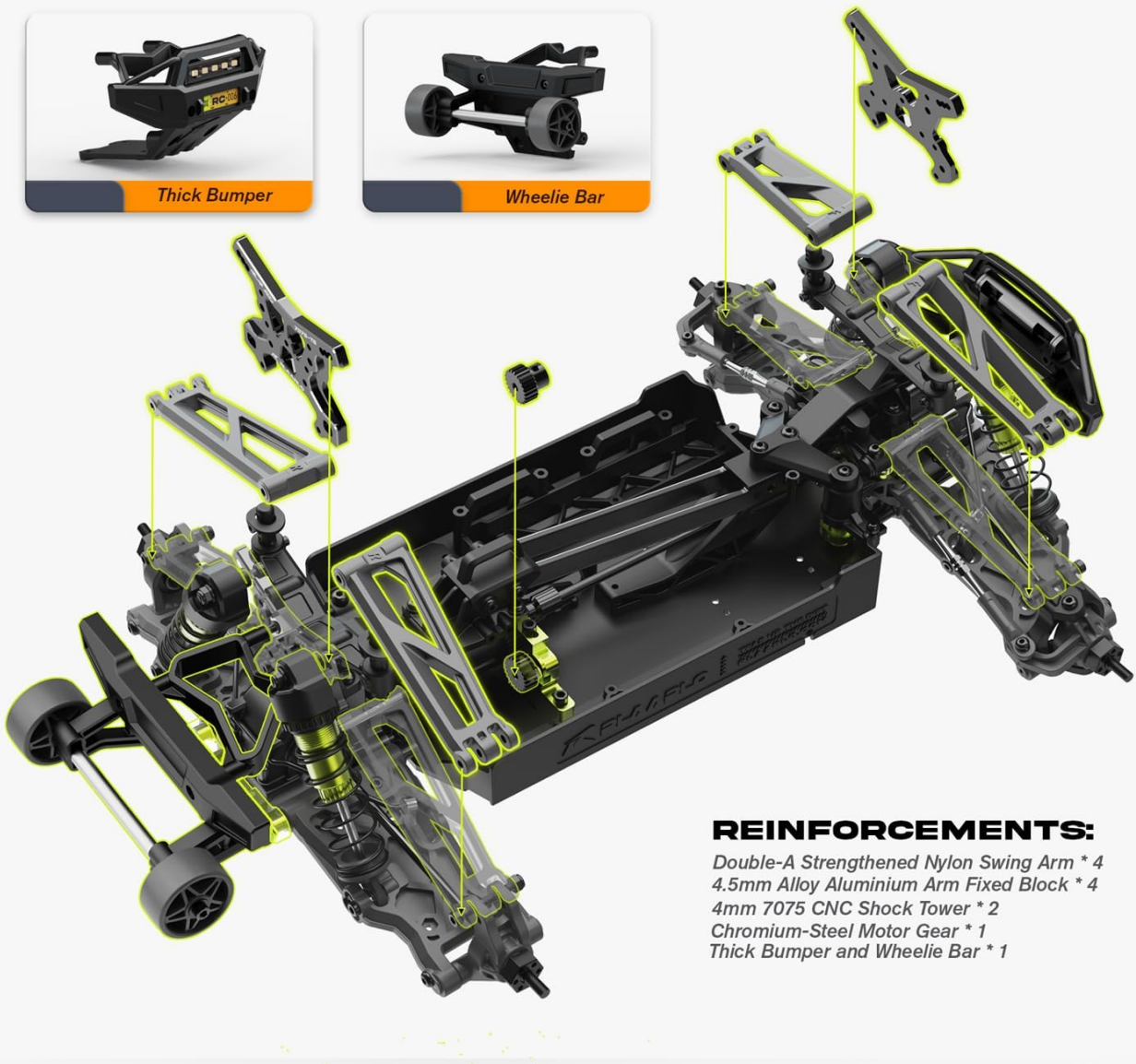
REINFORCEMENT DISPLAY



Thick Bumper



Wheelie Bar



REINFORCEMENTS:

Double-A Strengthened Nylon Swing Arm * 4
4.5mm Alloy Aluminium Arm Fixed Block * 4
4mm 7075 CNC Shock Tower * 2
Chromium-Steel Motor Gear * 1
Thick Bumper and Wheelie Bar * 1

Image: Visual representation of the truck's reinforced body components, including thick bumpers and nylon swing arms.

WARRANTY AND SUPPORT

AMORIL stands behind the quality of its products. For warranty claims, technical support, or replacement parts, please contact AMORIL US STORE directly through your purchase platform or visit the official AMORIL brand store.

AMORIL US STORE: [Visit Store](#)

Please retain your proof of purchase for all warranty-related inquiries.

