

SENSYNE AB Shutter3

SENSYNE 72-inch Phone Tripod Instruction Manual

Model: AB Shutter3

INTRODUCTION

Thank you for choosing the SENSYNE 72-inch Phone Tripod. This versatile accessory functions as an extendable tripod stand and a selfie stick, compatible with most smartphones and cameras. It includes a wireless remote for convenient photo and video capture. Please read this manual carefully to ensure proper setup and operation.

PACKAGE CONTENTS

Verify that all items are present in your package:

- 1 x SENSYNE Phone Tripod
- 1 x Phone Holder
- 1 x Wireless Remote
- 1 x Adapter (for cameras/GoPro)

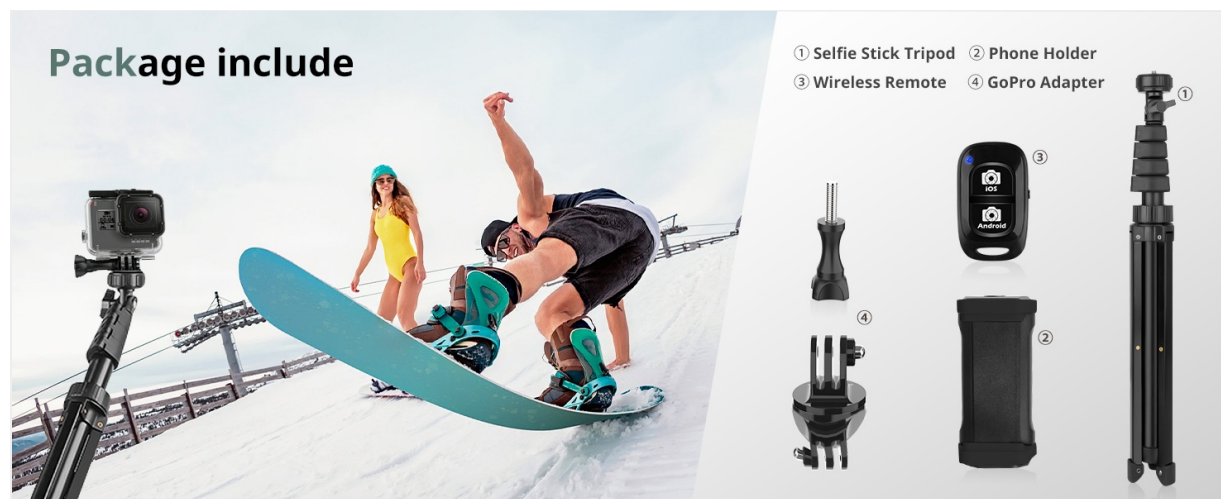


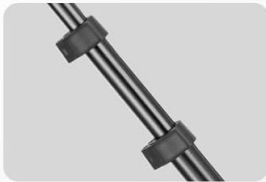
Image: All components included in the SENSYNE 72-inch Phone Tripod package.

PRODUCT FEATURES

- **72-inch Flexible Tripod:** Extends up to 72 inches for various shooting heights. Collapses to 20 inches for portability.
- **Stable & Reliable:** Constructed from premium aluminum alloy with twist locks for enhanced stability.
- **Versatile Phone Holder:** Adjustable (2.3"-5.7") with rubber protection for secure phone grip. Features a double-hole design.
- **Handy Wireless Remote Control:** Compatible with most iOS and Android smartphones (iOS 6+, Android 4.4+), operating up to 10m/33ft. Includes a replaceable CR2 button battery.
- **Multi-functional:** Can be used as a tripod, selfie stick, or for camera/GoPro mounting.

72-inch

Adjustable Height



Quick-Flip locks

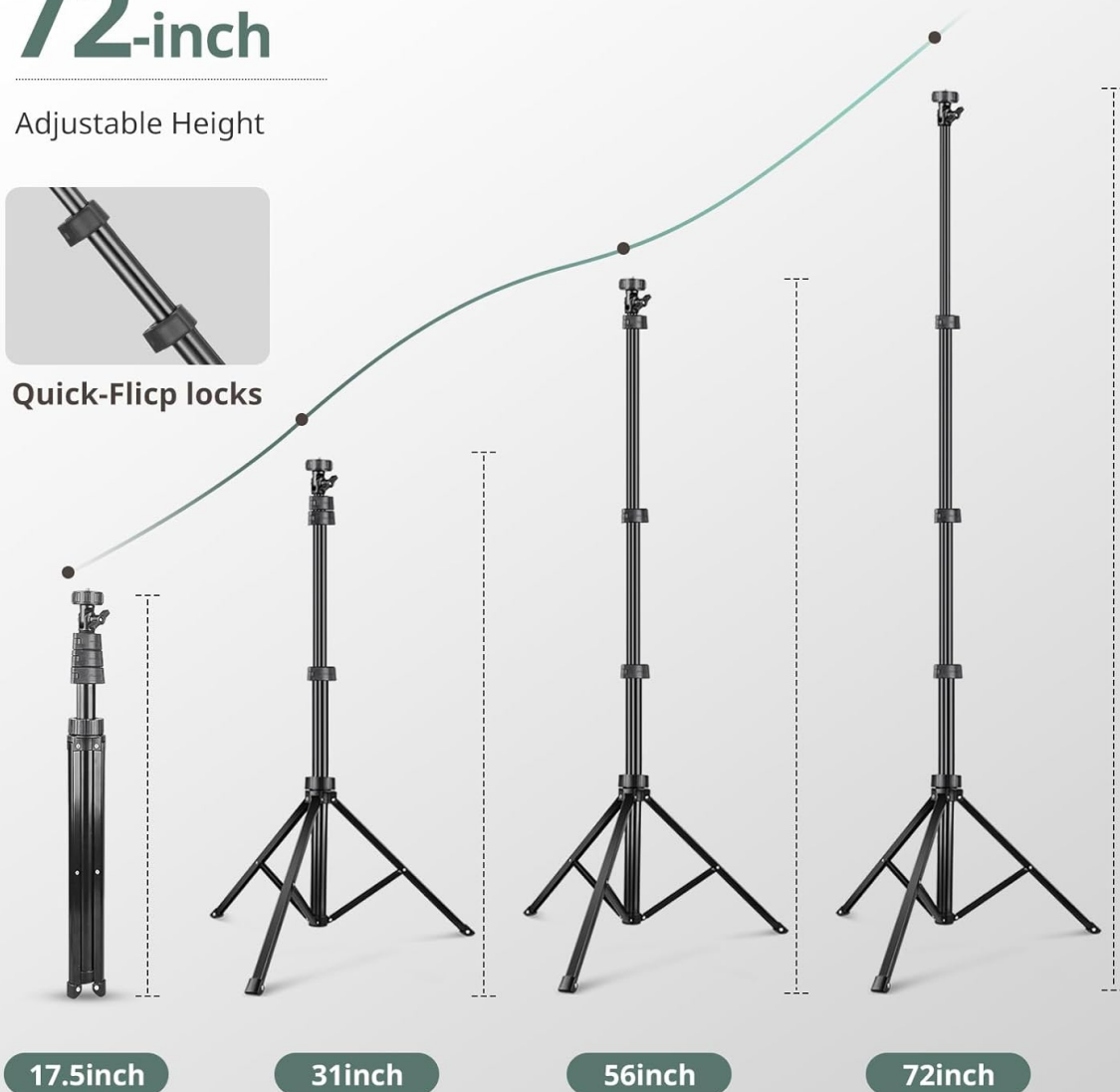
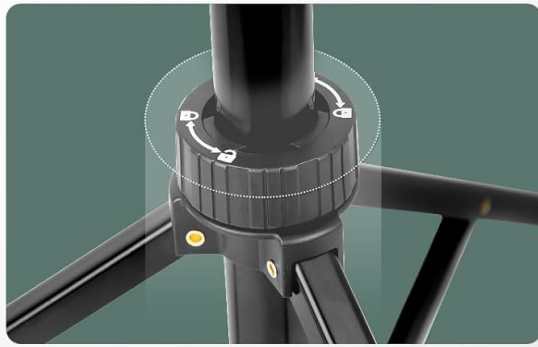


Image: Illustration of the tripod's adjustable height settings and quick-flip locks.

Sensyne



Resilient to shaking or tilting



Wobbling and tilting easily

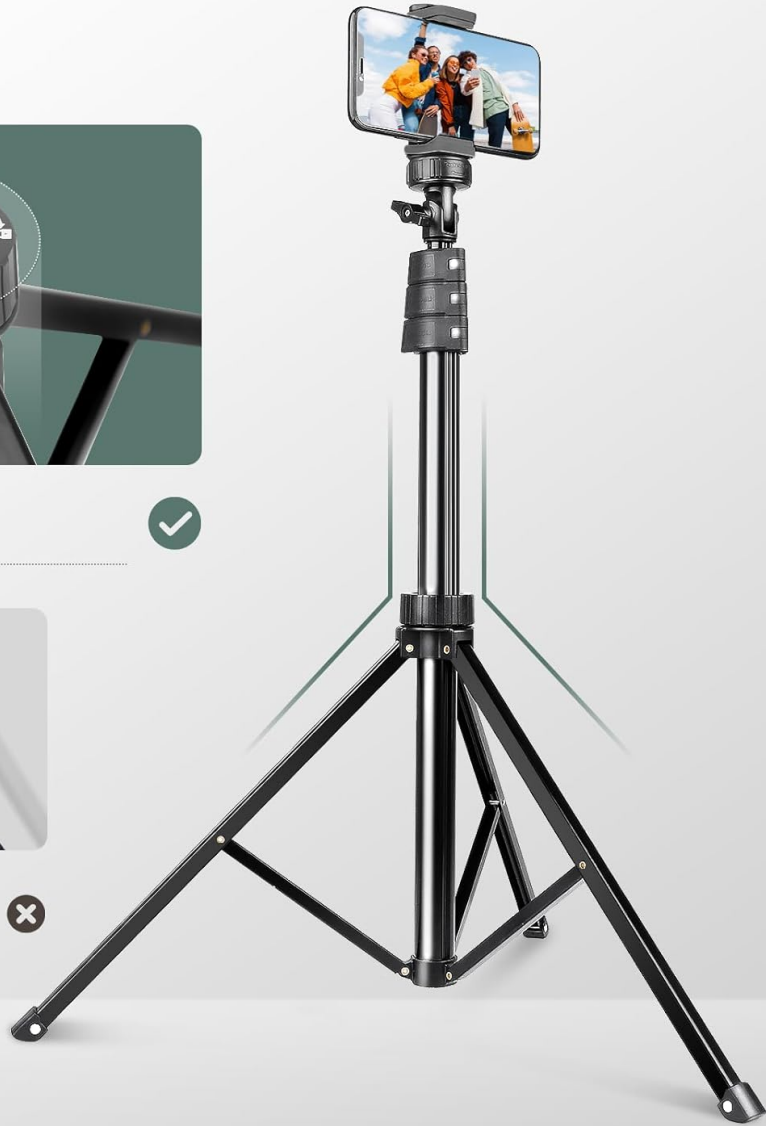


Image: Visual comparison highlighting the tripod's stable design against potential wobbling.

SETUP INSTRUCTIONS

- 1. Unfold the Tripod Legs:** Gently pull the tripod legs outwards until they are fully extended and stable on a flat surface.
- 2. Extend the Center Column:** Loosen the twist locks on the center column sections. Extend the column to your desired height, then tighten the twist locks to secure it.
- 3. Attach the Phone Holder:** Screw the phone holder onto the 1/4-inch universal screw at the top of the tripod. Ensure it is securely fastened.
- 4. Insert Your Phone:** Gently pull apart the spring-loaded clamps of the phone holder and insert your smartphone. The rubber padding will protect your device.
- 5. Pair the Wireless Remote:**
 - Turn on the remote by pressing and holding the button until the indicator light flashes.
 - On your smartphone, go to Bluetooth settings and search for new devices.
 - Select "AB Shutter3" from the list to pair. The indicator light will stop flashing once paired.

Your browser does not support the video tag.

Video: A seller demonstrates the unboxing and initial setup of the tripod and remote.

Wireless Remote Shutter

33feet/10M



iOS 6 +



Android 4.4 +



Vertical & Horizontal Modes



Image: Visual guide for pairing the wireless remote shutter via Bluetooth.

OPERATING INSTRUCTIONS

Using as a Tripod

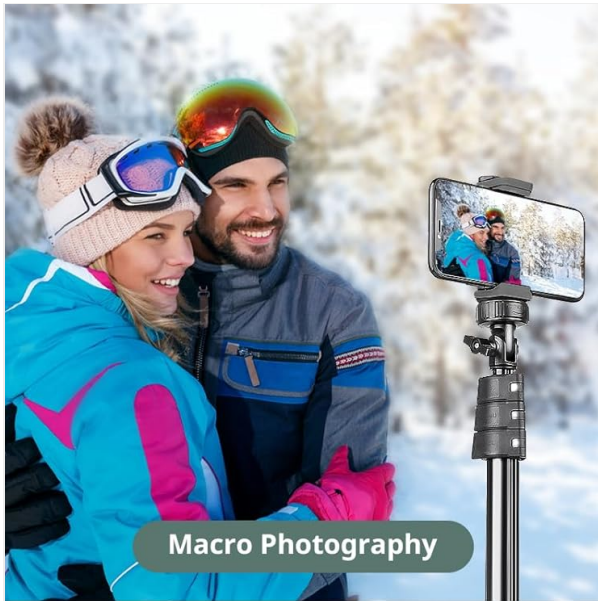
Once set up, the tripod provides a stable base for your phone or camera. Adjust the height and angle as needed for still shots, time-lapses, or video recording. The ball head allows for 360-degree rotation and 90-degree vertical shooting.

Using as a Selfie Stick

Collapse the tripod legs and hold the main column. Extend the column to your desired length. Use the wireless remote to capture photos or start/stop video recording from a distance.

Adjusting Phone Orientation

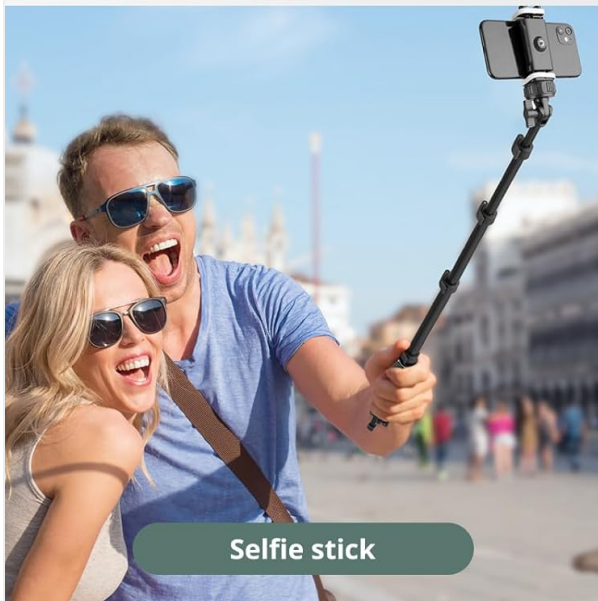
The phone holder can rotate 360 degrees, allowing you to switch between horizontal (landscape) and vertical (portrait) modes without removing your phone. Loosen the knob on the ball head, adjust the phone holder, and then tighten the knob to secure the position.



Macro Photography



Video Recording



Selfie stick



Outdoor Essential

Image: Examples of the tripod's versatile applications, including macro photography, video recording, selfie mode, and outdoor use.

Wide Compatibility



Image: The tripod's compatibility with various devices such as cameras, smartphones, and GoPro.

Your browser does not support the video tag.

Video: A seller highlights various features and operational aspects of the SENSYNE 72-inch Phone Tripod.

MAINTENANCE

To ensure the longevity of your SENSYNE tripod, follow these maintenance guidelines:

- **Cleaning:** Wipe the tripod with a soft, dry cloth. Avoid using harsh chemicals or abrasive materials.
- **Storage:** Store the tripod in a cool, dry place away from direct sunlight and extreme temperatures. Ensure it is fully collapsed before storage.
- **Remote Battery:** The wireless remote uses a CR2 button battery. Replace it when the indicator light no longer illuminates or pairing becomes inconsistent.

TROUBLESHOOTING

Problem	Possible Cause	Solution
---------	----------------	----------

Problem	Possible Cause	Solution
Remote not pairing	Remote battery low or off; Bluetooth not enabled on phone; remote too far from phone.	Ensure remote is on and battery is charged. Enable Bluetooth on your phone. Keep remote within 10m/33ft of phone.
Tripod is unstable	Legs not fully extended; twist locks not tightened; uneven surface; exceeding weight limit.	Fully extend and lock all leg sections. Ensure tripod is on a flat, stable surface. Do not exceed the 1.57 lbs (710g) weight limit.
Phone not fitting in holder	Phone width exceeds holder's capacity.	The phone holder supports devices between 2.3" and 5.7" in width. Ensure your phone is within this range.

SPECIFICATIONS

- **Brand:** SENSYNE
- **Model Name:** AB Shutter3
- **Material:** Aluminum Alloy
- **Maximum Height:** 72 Inches (182.88 cm)
- **Minimum Height (Folded):** 20 Inches (50.8 cm)
- **Weight Limit:** 1.57 Pounds (710 grams)
- **Phone Holder Compatibility:** 2.3" - 5.7" width
- **Remote Control Range:** Up to 10m / 33ft
- **Tripod Head Type:** Ball Heads
- **Number of Leg Sections:** 4

WARRANTY AND SUPPORT

The SENSYNE 72-inch Phone Tripod comes with a **1-year warranty** from the date of purchase. This warranty covers manufacturing defects and material flaws under normal use.

For technical support, warranty claims, or any questions regarding your product, please refer to the contact information provided on your product packaging or visit the official SENSYNE website.