



Manuals.plus /

› iHomeBlinds /

› iHomeBlinds Smart Curtain Track 66-118 Inches User Manual

iHomeBlinds 811.072.01

iHomeBlinds Smart Curtain Track 66-118 Inches User Manual

Model: 811.072.01

Brand: iHomeBlinds

1. INTRODUCTION

Thank you for choosing the iHomeBlinds Smart Curtain Track. This motorized and automated rail system is designed to provide convenience and modern control over your curtains. Featuring adjustable track length, Wi-Fi app control, and compatibility with smart home assistants like Alexa and Google Home, this product enhances your living space with intelligent functionality. This manual provides essential information for proper installation, operation, and maintenance.

2. SAFETY INFORMATION

- Read all instructions carefully before installation and use.
- Ensure the power supply is disconnected before performing any installation or maintenance.
- Only use the provided components and accessories.
- Keep children and pets away from the curtain track during operation.
- If you are unsure about any installation steps, consult a qualified professional.
- Do not attempt to repair the device yourself. Contact customer support for assistance.

3. PACKAGE CONTENTS

The iHomeBlinds Smart Curtain Track package includes the following items:

- Smart Curtain Track (extendable)
- Motor (MP82-T/w4)
- Remote Controller (with 1 CR2 battery included)
- Ceiling Mount Brackets
- Wall Mount Brackets
- Expansion Bolts
- Screws
- Instruction Manual

4. PRODUCT OVERVIEW

The iHomeBlinds Smart Curtain Track is constructed from durable aluminum alloy, ensuring smooth and quiet operation. Its extendable design allows for flexible installation across various window sizes, ranging from 66.93 inches (1.7m) to 118.11 inches (3m). The track features a silver-white finish for seamless integration with home decor.



Figure 1: Overview of the iHomeBlinds Smart Curtain Track system, including remote control, mobile app interface, and compatible smart speakers.

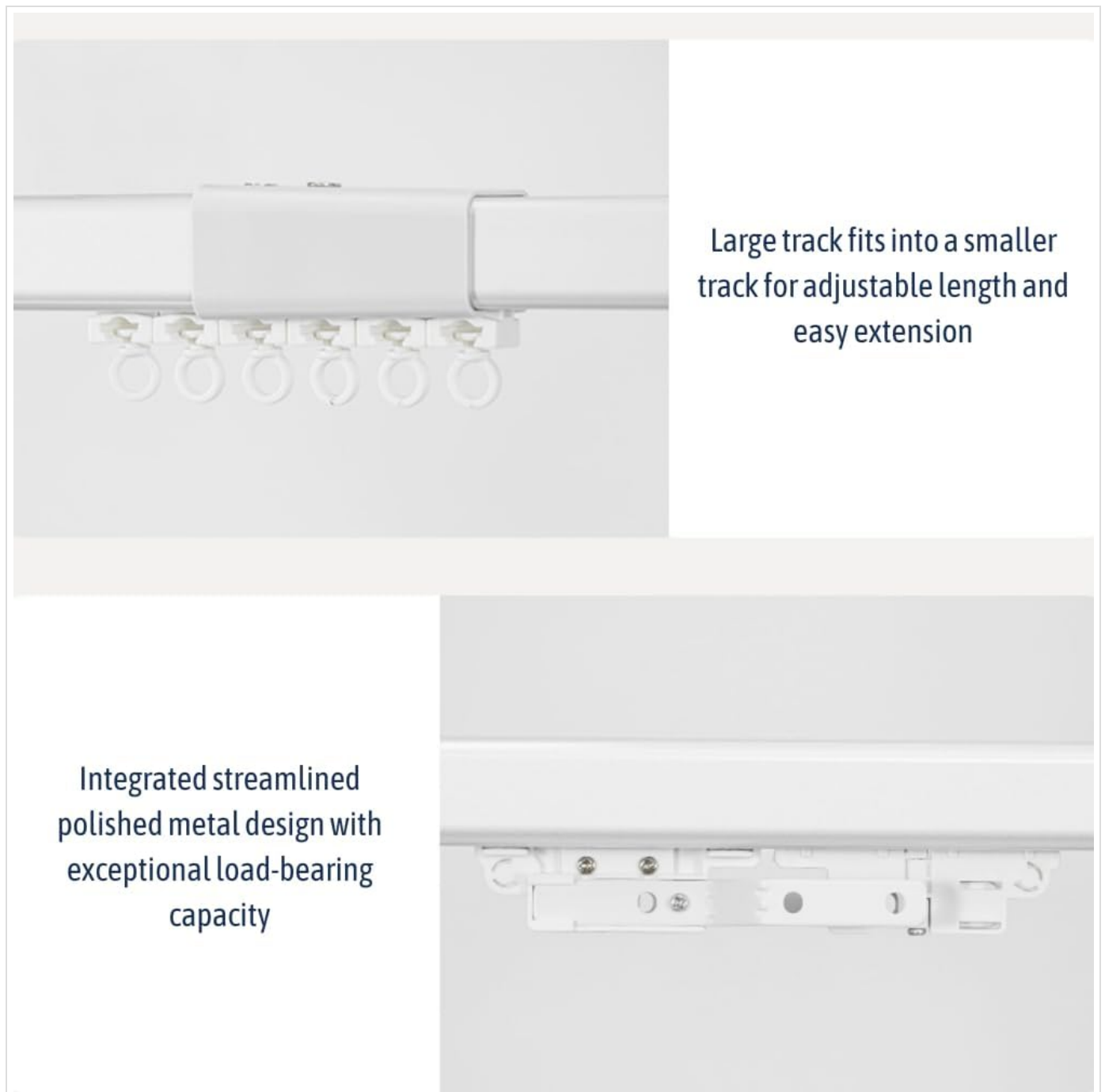


Figure 2: Detail of the extendable track, showing how the large track fits into a smaller track for adjustable length, and the integrated polished metal design for durability.

5. SETUP AND INSTALLATION

The iHomeBlinds Smart Curtain Track is designed for straightforward installation. Follow these steps carefully:

5.1. Track Assembly and Adjustment

1. Loosen the screws on the track and extend it to your desired length.
2. Tighten the screws to securely fix the track length.
3. Press the trolleys (curtain hooks) firmly into place along the track.

5.2. Motor Attachment

1. Rotate the motor to align it with the base on the track.
2. Push the locker to securely lock the motor in place.

5.3. Mounting the Track

You can choose between ceiling mount or wall mount installation. Both bracket types are included.

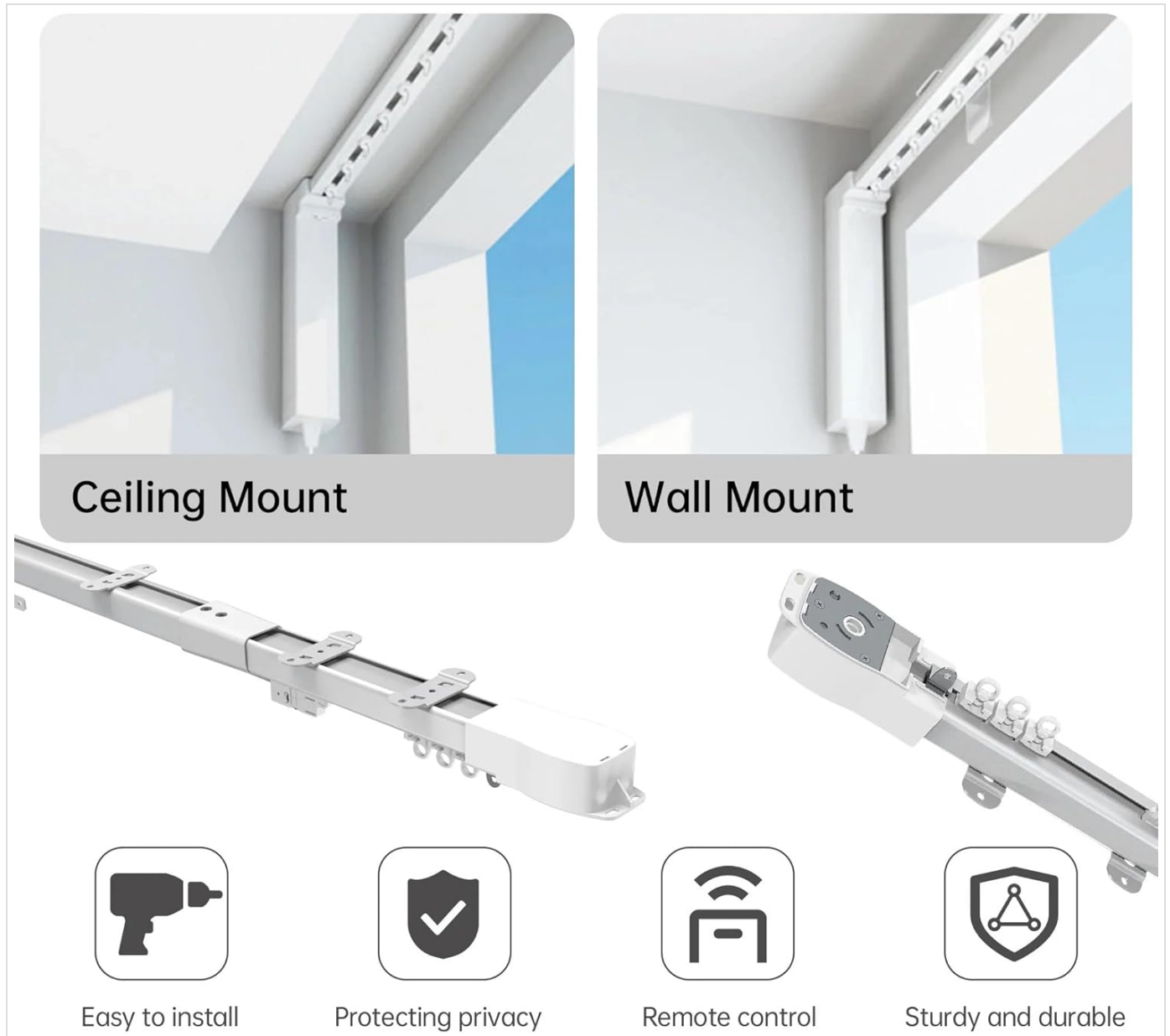


Figure 3: Visual representation of both ceiling mount and wall mount installation methods.

5.3.1. Ceiling Mount

1. Rotate the ceiling mount brackets into the upper part of the track.
2. Secure the brackets to the ceiling using appropriate screws and expansion bolts.

Ceiling Mount

Note: If you can't slot it in, it might be because you've mixed up the A and B brackets. If it doesn't rotate, try changing the orientation of the bracket and slot it in again.



Figure 4: Detailed steps for installing the track using ceiling mount brackets.

5.3.2. Wall Mount

1. Assemble the ceiling brackets and wall mount kit into the wall mount brackets using screws and nuts.
2. Attach the assembled wall mount brackets to the track.
3. Secure the brackets to the wall using appropriate screws and expansion bolts.

Wall Mount

Note: If you can't slot it in, It might be because you've mixed up the A and B brackets. If it doesn't rotate, try changing the orientation of the bracket and slot it in again.

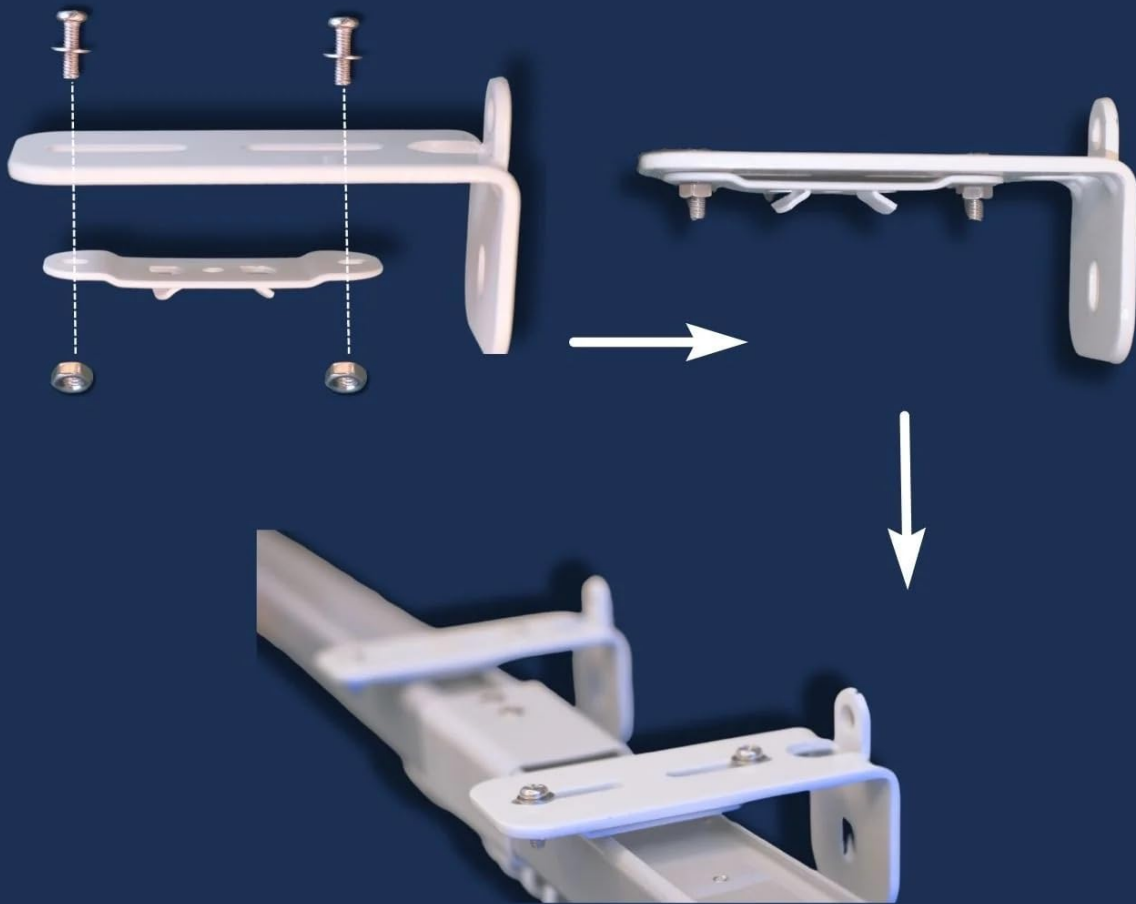


Figure 5: Detailed steps for installing the track using wall mount brackets.

5.4. Power Connection

The curtain track motor requires a hardwired power supply. Ensure a power socket is available near the motor's location. Plug the power cable into the motor and then into the power source.

5.5. Remote Control Pairing

1. Press and hold the motor's learn button for 3 seconds until the red light stays on.
2. Briefly press the learn button on the back of the remote control (the left button).
3. The motor's red light will flash, indicating successful pairing.

5.6. Installation Video Guide

Your browser does not support the video tag.

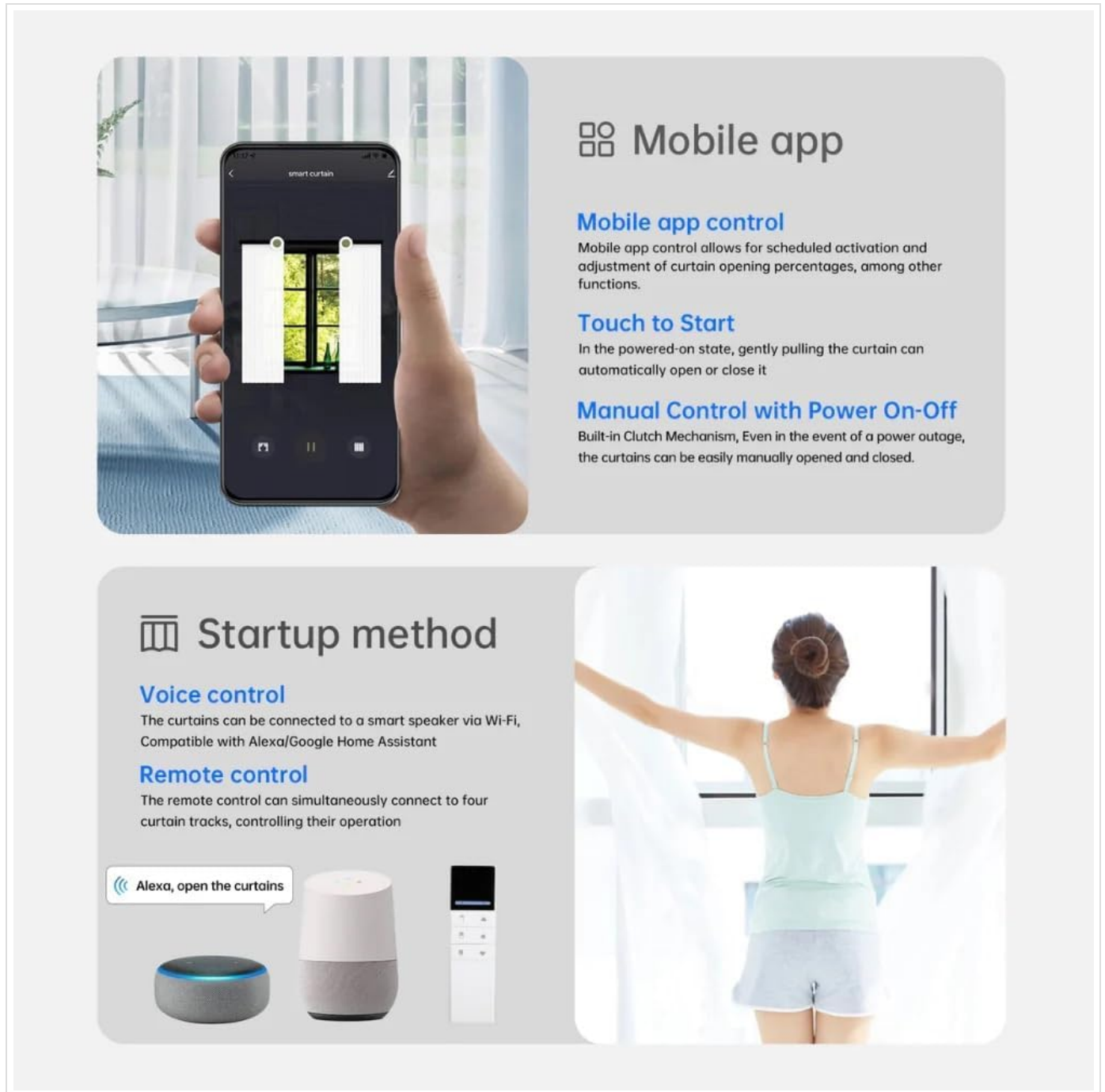
Video 1: A detailed video guide demonstrating the assembly and installation process of the iHomeBlinds Smart Curtain Track.

6. OPERATION

The iHomeBlinds Smart Curtain Track offers multiple control options for your convenience.

6.1. Remote Control

Use the included remote control to open, close, or pause your curtains. The remote can control up to four curtain tracks simultaneously.



Mobile app

Mobile app control
Mobile app control allows for scheduled activation and adjustment of curtain opening percentages, among other functions.

Touch to Start
In the powered-on state, gently pulling the curtain can automatically open or close it

Manual Control with Power On-Off
Built-in Clutch Mechanism, Even in the event of a power outage, the curtains can be easily manually opened and closed.

Startup method

Voice control
The curtains can be connected to a smart speaker via Wi-Fi, Compatible with Alexa/Google Home Assistant

Remote control
The remote control can simultaneously connect to four curtain tracks, controlling their operation

Alexa, open the curtains

The infographic is divided into two main sections. The top section, titled 'Mobile app', features a hand holding a smartphone displaying the 'smart curtain' app interface. To the right of the phone, there are three sub-sections: 'Mobile app control' (describing scheduled activation and percentage adjustments), 'Touch to Start' (describing automatic opening/closing by pulling the curtain), and 'Manual Control with Power On-Off' (describing the built-in clutch mechanism for manual operation during power outages). The bottom section, titled 'Startup method', includes 'Voice control' (compatible with Alexa and Google Home Assistant) and 'Remote control' (able to connect to four tracks). It also shows images of an Amazon Echo, a smart speaker, and a remote control. A speech bubble says 'Alexa, open the curtains'. To the right of this section is a photograph of a woman in a light blue tank top and shorts, seen from behind, pulling white curtains open.

Figure 6: Various methods of controlling the smart curtain track, including remote, mobile app, and voice commands.

6.2. Tuya App Control

Download the Tuya App to unlock advanced control features:

- **Scheduled Operation:** Set automatic opening and closing times for your curtains.
- **Percentage Control:** Adjust the curtain opening to a specific percentage.
- **Remote Access:** Control your curtains from anywhere via your smartphone.

6.3. Voice Control (Alexa & Google Home)

Through the Tuya App, you can connect your smart curtain track to Alexa and Google Home devices, enabling voice commands for opening and closing your curtains.

6.4. Manual Hand-Pull Function

The smart track supports a hand-pulling function. Gently pull the curtain, and the track will detect your action, automatically completing the opening or closing motion.

6.5. Operation Video Guide

Your browser does not support the video tag.

Video 2: An overview video demonstrating the functionality and smart features of the iHomeBlinds Smart Curtain Track.

7. MAINTENANCE

Proper maintenance ensures the longevity and optimal performance of your smart curtain track.

- **Cleaning:** The track is designed with dustproof features. For general cleaning, wipe the track with a soft, dry cloth. Avoid abrasive cleaners or solvents.
- **Smooth Operation:** The premium rollers ensure smooth and silent operation. If you notice any resistance, check the track for obstructions.
- **Material Quality:** The aluminum alloy construction is robust and designed for years of use.

8. TROUBLESHOOTING

If you encounter issues with your iHomeBlinds Smart Curtain Track, refer to the following common solutions:

- **Motor Not Responding:**
 - Check if the power cable is securely plugged into both the motor and the power outlet.
 - Ensure the remote control battery (CR2) is not depleted.
 - Re-attempt the remote control pairing process (Section 5.5).
- **Curtains Not Moving Smoothly:**
 - Inspect the track for any physical obstructions or debris.
 - Ensure the trolleys are correctly seated in the track.
 - Verify that the track is securely mounted and level.
- **App or Voice Control Issues:**
 - Ensure your smartphone or smart home device is connected to the internet.
 - Verify that the Tuya App is updated to the latest version.
 - Check the connection status of the curtain track within the Tuya App.
 - For Alexa/Google Home, ensure the Tuya skill/service is enabled and linked correctly.
- **Power Cord Length:** The provided power cord is standard. If a longer cord is required, ensure any replacement meets safety standards and specifications.

9. SPECIFICATIONS

Feature	Detail
Brand	iHomeBlinds
Model Number	811.072.01
Color	Silver White
Material	Aluminum
Product Dimensions (Min-Max)	66.93"L x 2"W (1.7m to 3m extendable)
Item Weight	5.9 Pounds
Mounting Type	Ceiling Mounted / Wall Mount
Motor Model	MP82-T/w4
Input Voltage	100-240V AC
Rated Frequency	50/60Hz
Rated Torque	1.2N.m
Rated Speed	75r/min
Batteries (Remote)	1 CR2 battery (included)

10. WARRANTY AND SUPPORT

For any questions, technical assistance, or warranty inquiries, please contact iHomeBlinds customer service. Our team is dedicated to providing prompt support and ensuring your satisfaction with the product.

Please refer to your purchase documentation for specific warranty terms and contact information.