

Manuals+

[Q & A](#) | [Deep Search](#) | [Upload](#)

Manuals.plus /

› [Dealswin](#) /

› Dealswin Dual Head USB Car Fan (Model D-CZFS-BT) Instruction Manual

Dealswin D-CZFS-BT

Dealswin Dual Head USB Car Fan (Model D-CZFS-BT) Instruction Manual

Model: D-CZFS-BT

Brand: Dealswin

1. INTRODUCTION

Thank you for purchasing the Dealswin Dual Head USB Car Fan. This manual provides essential information for the safe and efficient operation of your new car fan. Please read these instructions carefully before use and retain them for future reference.

2. SAFETY INFORMATION

- Ensure the fan is securely mounted to prevent it from falling during vehicle movement.
- Use only a 5V/2A USB power source for optimal performance and to prevent damage. Insufficient power may lead to reduced fan speed or malfunction.
- Keep fingers and other objects away from the fan blades while in operation. The fan features a finely crafted grid for child safety, but supervision is always recommended.
- Do not expose the fan to water or excessive moisture.
- Do not attempt to disassemble or repair the fan yourself. Contact customer support for assistance.
- Unplug the fan when not in use or before cleaning.

3. PACKAGE CONTENTS

- 1 x Dealswin Dual Head USB Car Fan
- 1 x Instruction Manual

4. PRODUCT FEATURES

- **360° Rotatable Dual-Head Design:** Each fan head and the main body can rotate 360 degrees, allowing for multi-angle air delivery to all backseat areas.
- **Advanced Brushless Motor Technology:** Provides powerful yet quiet airflow, ensuring a comfortable and peaceful environment.
- **Customizable 3-Speed Control:** Easily adjust airflow intensity with three distinct speed settings (natural, cool, strong wind).
- **Enhanced Air Circulation:** Effectively reduces windshield fog, circulates stale air, and helps combat heat, smoke, dust, and pet odors.
- **Child-Safe Design:** Features a finely crafted grid to prevent accidental contact with fan blades, ensuring safety for children and pets.
- **Universal USB Power:** Compatible with any 5V/2A USB power source, making it suitable for various vehicles including SUVs, RVs, sedans, and trucks.



Image: The fan's dual heads and base offer full 360-degree rotation for comprehensive air circulation.



Image: Illustration of the quiet brushless motor and the three adjustable speed settings for customized airflow.

5. SETUP

5.1 Installation

1. Attach the fan unit to the headrest bracket by aligning the connection points and securing them.

2. Open the headrest clip and position it around one of the headrest posts.
3. Close the clip securely around the headrest post.
4. Adjust the fan's position and angle as desired.



Image: Step-by-step guide demonstrating how to install the fan onto a car seat headrest.

5.2 Power Connection

1. Locate a compatible 5V/2A USB port in your vehicle (e.g., USB charger, car charger adapter, power bank).
2. Plug the USB cable from the fan into the power source.
3. Ensure the power source provides at least 5V/2A for optimal fan performance.

Multiple Power Supplies



Input: 5V/2A



Image: The fan can be powered by multiple USB sources, including car chargers, power banks, and laptops.

5.3 Installation and Power Video Guide

Your browser does not support the video tag.

Video: Official Dealswin video demonstrating the installation and power connection of the USB Dual-Head Car Fan.

Your browser does not support the video tag.

Video: Official Dealswin video showcasing the 2024 New Design Dual Head Car Fan for Backseat, including installation and features.

6. OPERATING INSTRUCTIONS

6.1 Power On/Off and Speed Adjustment

1. Once plugged in, press the power button located on the fan unit to turn it on.
2. Press the power button repeatedly to cycle through the three speed settings: Low, Medium, and High.
3. Press the power button a fourth time to turn the fan off.

6.2 Adjusting Fan Direction

- The individual fan heads can be manually rotated 90 degrees left or right to direct airflow precisely.
- The entire fan unit, including the base, can be rotated 360 degrees to cover different areas of the backseat or even face forward.



Image: The fan's flexible design allows for extensive rotation of both the fan heads and the main body.

7. MAINTENANCE

7.1 Cleaning the Fan

1. Ensure the fan is unplugged from its power source before cleaning.
2. Gently twist and remove the front grille of each fan head.
3. Wipe the fan blades and the inside of the grille with a soft, damp cloth. For stubborn dust, a mild soap solution can be used, ensuring no liquid enters the motor housing.
4. Allow all parts to dry completely before reattaching the grilles and using the fan.

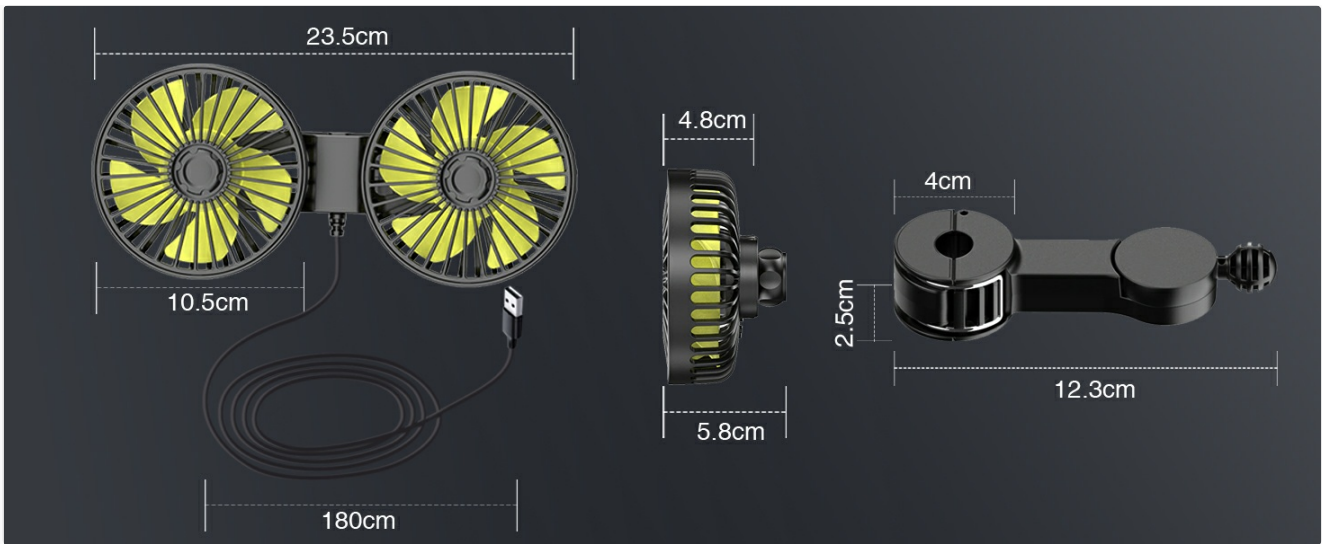


Image: Visual instructions for disassembling and cleaning the fan heads.

8. TROUBLESHOOTING

- **Fan not turning on:**

- Ensure the USB cable is securely plugged into both the fan and the power source.
- Verify that the power source (e.g., car USB port, adapter) is active and providing power.
- Check if the power source meets the minimum requirement of 5V/2A.

- **Weak airflow:**

- Confirm the fan is set to a higher speed setting.
- Ensure the power source is providing sufficient current (5V/2A recommended).
- Clean the fan blades and grilles to remove any dust buildup that might obstruct airflow.

- **Unusual noise during operation:**

- Check for any obstructions (e.g., loose debris, hair) caught in the fan blades or motor housing.
- Ensure the fan is securely mounted and not vibrating against any surfaces.

9. SPECIFICATIONS

Feature	Specification
Brand	Dealswin
Model Name	D-CZFS-BT
Power Source	USB Powered
Voltage	5 Volts (DC)
Wattage	10 watts
Number of Speeds	3
Noise Level	30 Decibels

Mounting Type	Clip
Product Dimensions (D x W x H)	2.3"D x 9.25"W x 4.1"H
Item Weight	0.38 Kilograms
Material	Metal, Plastic

10. WARRANTY & SUPPORT

For warranty information or technical support, please refer to the product packaging or contact Dealswin customer service directly. Keep your purchase receipt for any warranty claims.

