

Schock FOMD200A13

SCHOCK Formhaus D200 Double Basin Kitchen Sink with Drainer

Instruction Manual

INTRODUCTION

Thank you for choosing the SCHOCK Formhaus D200 kitchen sink. This manual provides essential information for the safe and efficient installation, operation, and maintenance of your new sink. Please read these instructions carefully before beginning installation or use, and retain them for future reference.

The SCHOCK Formhaus D200 is a double basin kitchen sink featuring a drainer, crafted from durable Cristalite material. Its reversible design allows for flexible installation to suit your kitchen layout. Cristalite is known for its stone-like finish, robustness, natural antibacterial properties, and ease of cleaning.

SAFETY INSTRUCTIONS

- Always wear appropriate personal protective equipment (PPE) such as gloves and safety glasses during installation.
- Ensure all water supply lines are turned off before beginning installation.
- Handle the sink with care to prevent damage or injury. The sink can be heavy; use proper lifting techniques or seek assistance.
- Verify that the countertop material and structure can support the weight of the sink and its contents.
- Do not use abrasive cleaners or harsh chemicals on the sink surface, as this may damage the Cristalite material.
- Ensure all connections are watertight to prevent leaks.
- If you are unsure about any part of the installation process, consult a qualified professional.

PACKAGE CONTENTS

Please check that all components are present before starting installation:

- SCHOCK Formhaus D200 Kitchen Sink

- Mounting accessories (clips, seals, etc.)
- Drain assembly (basket strainer type)
- Instruction Manual (this document)

Note: Faucet and plumbing connections are typically sold separately and are not included.

SPECIFICATIONS

Brand	Schock
Model Number	FOMD200A13
Color	Black
Material	Granite Resin Stone (Cristalite)
Overall Dimensions (L x W)	1160 x 500 mm (116P x 29.8I x 50H cm)
Basin Dimensions (each)	350 x 420 x 190 mm
Minimum Base Cabinet Width	800 mm
Standard Cut-out Dimensions	1140 x 480 mm
Installation Type	Top-mount (reversible)
Finish Type	Matte
Drain Type	Basket Strainer

INSTALLATION

The SCHOCK Formhaus D200 sink is designed for top-mount installation and is reversible, allowing the drainer to be positioned on either the left or right side. Follow these steps carefully:

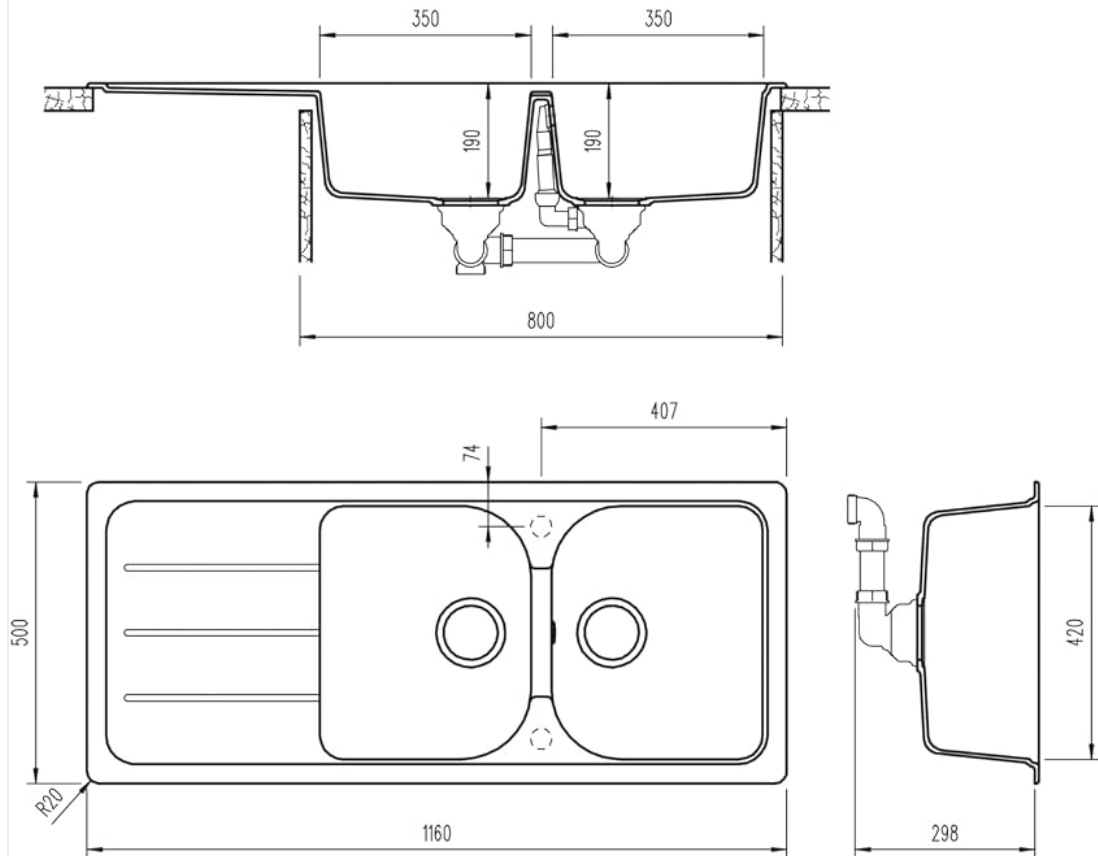
1. Prepare the Countertop:

Using the provided template (if included, otherwise refer to the standard cut-out dimensions of 1140 x 480 mm), mark the cut-out area on your countertop. Ensure the position allows for sufficient clearance for plumbing and cabinet structure. Cut the opening carefully using appropriate tools.

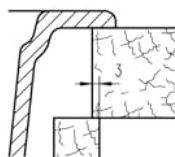
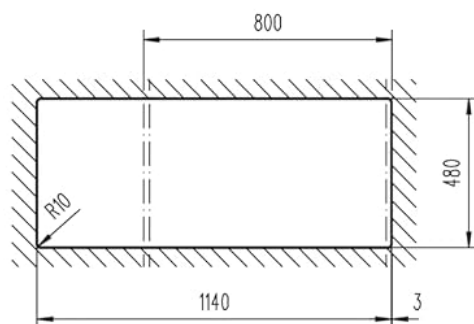
SCHOCK

CRISTALITE®

FORMHAUS D200



Installazione: SOPRATOP



Installazione: SOTTOTOP POSITIVO

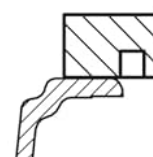
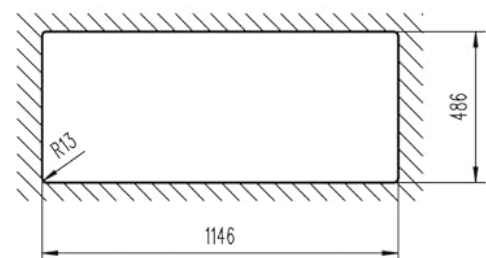


Image: Top-down view of the sink, illustrating overall dimensions and basin placement. Note the reversible design for drainer orientation.

2. Prepare the Sink:

Determine the desired orientation (drainer left or right). If necessary, pre-drill faucet holes or other accessory holes from the underside of the sink using a suitable hole saw, following the manufacturer's recommendations for Cristalite material.

3. **Install Faucet and Drain Assembly:**

Before placing the sink into the countertop, install the faucet and drain assembly (basket strainers) according to their respective manufacturer's instructions. Apply a bead of silicone sealant around the drain openings to ensure a watertight seal.

4. **Apply Sealant:**

Apply a continuous bead of silicone sealant around the perimeter of the sink's underside flange that will contact the countertop. This creates a watertight seal between the sink and the countertop.

5. **Position the Sink:**

Carefully lower the sink into the countertop opening, ensuring it is properly aligned. Press down firmly to engage the sealant.

6. **Secure the Sink:**

Attach the mounting clips to the underside of the sink flange and tighten them against the countertop. Distribute the clips evenly around the sink for secure fastening. Do not overtighten.

7. **Connect Plumbing:**

Connect the drain assembly to your household plumbing system. Connect the faucet to the hot and cold water supply lines. Ensure all connections are tight and free of leaks. Turn on the water supply and check for any leaks.

OPERATING INSTRUCTIONS

Using your SCHOCK Formhaus D200 sink is straightforward:

- **Water Flow:** Use the faucet handles to control water temperature and flow as needed for washing, rinsing, or filling.
- **Drainage:** The basket strainers in each basin prevent large food particles from entering the plumbing. Regularly empty and clean the strainers to maintain proper drainage.
- **Drainer Area:** Utilize the integrated drainer for air-drying dishes, glasses, or produce.

MAINTENANCE AND CARE

To ensure the longevity and pristine appearance of your Cristalite sink, follow these maintenance guidelines:

- **Daily Cleaning:** Wipe the sink surface with a damp cloth and mild dish soap after each use. Rinse thoroughly with clean water and dry with a soft cloth to prevent water spots.
- **Stain Removal:** For stubborn stains, use a non-abrasive liquid cleaner specifically designed for granite or composite sinks. Apply the cleaner, let it sit for a few minutes, then scrub gently with a soft brush or sponge. Rinse thoroughly.
- **Avoid Harsh Chemicals:** Do not use abrasive cleaners, steel wool, scouring pads, strong acids, alkalis, or chemical drain cleaners directly on the sink surface. These can damage the Cristalite material.
- **Heat Resistance:** While Cristalite is highly heat-resistant, it is recommended to use a trivet or hot pad under extremely hot pots and pans to prevent potential thermal shock or discoloration over time.
- **Prevent Scratches:** Avoid dragging heavy or sharp objects across the sink surface. Use a sink grid if desired to protect the basin bottom.

- **Antibacterial Properties:** The natural antibacterial properties of Cristalite help maintain hygiene. Regular cleaning as described above will further enhance this benefit.

TROUBLESHOOTING

Problem	Possible Cause	Solution
Slow Drainage	Clogged basket strainer or drain pipe.	Remove and clean the basket strainer. If the problem persists, check the P-trap for blockages or consult a plumber.
Water Spots/Streaks	Hard water deposits; not drying the sink after use.	Wipe the sink dry after each use. For existing spots, use a diluted vinegar solution (1 part vinegar to 3 parts water) or a specialized hard water stain remover, then rinse thoroughly.
Discoloration/Stains	Exposure to strong staining agents (e.g., coffee, tea, red wine) or harsh chemicals.	Clean immediately with a mild cleaner. For persistent stains, use a non-abrasive composite sink cleaner. Avoid leaving staining agents on the surface for extended periods.
Leaks around Sink Edge	Improperly sealed sink or loose mounting clips.	Check mounting clips and tighten if loose. If the leak persists, the sealant may need to be reapplied. Consult a professional if necessary.

WARRANTY AND SUPPORT

SCHOCK Cristalite sinks are backed by a **5-year warranty** from the date of purchase. This warranty covers manufacturing defects and material flaws under normal use and maintenance conditions.

To make a warranty claim, please retain your proof of purchase (receipt/ticket) and contact SCHOCK customer support. The warranty does not cover damage caused by improper installation, misuse, abuse, neglect, accidents, or the use of inappropriate cleaning agents.

For further assistance, technical support, or to inquire about replacement parts, please visit the official SCHOCK website or contact their customer service department. Contact information can typically be found on the product packaging or the SCHOCK website.