

[Manuals.plus](#) /

› [Klighten](#) /

› Klighten GW007 24W LED Adjustable Wall Light Instruction Manual

Klighten GW007

Klighten GW007 24W LED Adjustable Wall Light Instruction Manual

Model: GW007

1. PRODUCT OVERVIEW

The Klighten GW007 is a modern 24W LED wall light designed for both indoor and outdoor applications. It features an adjustable LED panel, allowing for a 350° vertical rotation to direct light as needed. Constructed from high-quality aluminum with a PC lampshade, this fixture is IP65 rated for water and dust resistance, ensuring durability in various environments. It provides 1500 lumens of warm white light at 3000K.



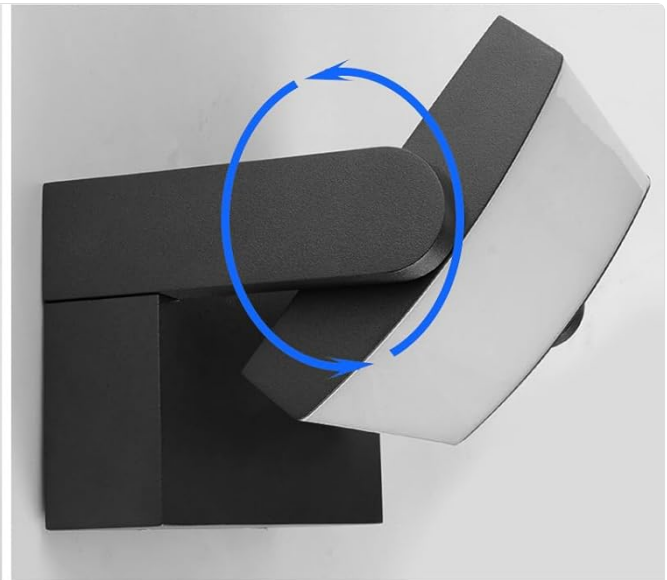
Figure 1: Klighten GW007 24W LED Adjustable Wall Light



Figure 2: The LED panel can be rotated 350 degrees vertically to adjust the lighting angle.



PC Lampshade



Adjustable angle: 350°



Material: Aluminum



Inside IP65 LED Driver

Figure 3: Detailed view of the PC lampshade, adjustable angle, aluminum construction, and internal IP65 LED driver.

2. SAFETY INFORMATION

- Always turn off the power supply before installation, maintenance, or cleaning.
- Installation should be performed by a qualified electrician to ensure safety and compliance with local electrical codes.
- Do not modify the product in any way.
- Ensure the mounting surface is sturdy enough to support the fixture.
- Keep out of reach of children.

3. PACKAGE CONTENTS

Verify that all components are present before beginning installation:

- Klighten GW007 LED Wall Light (2 units)
- Mounting accessories (screws, wall plugs)
- Instruction Manual

4. INSTALLATION INSTRUCTIONS

Tools Required: Drill, screwdriver, wire strippers, pencil, measuring tape.

1. **Prepare the Mounting Surface:** Choose a suitable location on the wall. Mark the drilling points for the mounting bracket using the fixture as a template. Ensure the power supply is turned off at the main circuit breaker.
2. **Mount the Bracket:** Drill holes at the marked points. Insert wall plugs if necessary. Secure the mounting bracket to the wall using the provided screws.
3. **Wire Connection:** Connect the household electrical wires to the fixture's wires. Ensure correct polarity (Live to Live, Neutral to Neutral, Ground to Ground). Use appropriate wire connectors and ensure all connections are secure and insulated.
4. **Attach the Fixture:** Align the light fixture with the mounting bracket and secure it with the remaining screws. Ensure the fixture is firmly attached to the wall.
5. **Restore Power:** Once installation is complete and all connections are secure, restore power at the main circuit breaker.

Produktdatenblatt			
DELEGIERTE VERORDNUNG (EU) 2019/2015 DER KOMMISSION zur Energieverbrauchskennzeichnung von Lichtquellen			
Name oder Handelsmarke des Lieferanten: Klighten			
Anschrift des Lieferanten: GAYMOLA CONSULTORIA, SOCIEDAD LIMITADA, CASTELLANA 1544, 28004 Madrid, ES			
Modellbezeichnung: GW007			
Art der Lichtquelle:			
Verwendete Beleuchtungstechnologie:	LED	Ungelblicht oder gelblicht:	NOIS
Art des Sockels der Lichtquelle (oder andere elektrische Schnittstelle):	/		
Netzspannung/Nicht direkt an die Netzspannung angeschlossen:	MLS	Vernetzte Lichtquelle (ELV):	Nein
Farbtisch ablesbare Lichtquelle:	Nein	Hübsch:	-
Lichtquelle mit hoher Leuchtdichte:	Nein		
Blendschutzschicht:	Nein	Dimmbar:	Nein
Produktparameter			
Parameter	Wert	Parameter	Wert
Allgemeine Produktparameter			
Energieverbrauch im Ein-Zustand (W _{Ein} /2000 h) auf die nächstliegende ganze Zahl gerundet	24	Energieeffizienzkategorie	G
Nutzwinkel (θ _{1/2}) mit Angabe, ob sich der Wert auf den Lichtstrom in einer Kugel (360°), in einem breiten Kegel (120°) oder in einem schmalen Kegel (30°) bezieht	500 in Kugel (360°)	übliche Farbtemperatur, gerundet auf die nächstliegenden 100 K, oder Spanne der einstellbaren üblichen Farbtemperaturen, gerundet auf die nächstliegenden 500 K	3000
Leistungsaufnahme im Ein-Zustand (P _{Ein}) in W	24,0	Leistungsaufnahme im Bereitschaftszustand (P _B) in W, auf die zweite Dezimalstelle gerundet	0,00
Leistungsaufnahme im vernetzten Bereitschaftsbetrieb (P _{BV})	-	Farbwiedergabeindex, auf die	83
Seite 1/4			
Für CRI in W, auf die zweite Dezimalstelle gerundet		Nächstgelegene ganze Zahl gerundet, oder Spanne der einstellbaren CRI-Werte	
äußere Abmessungen, Breite	210	Spektrale Strahlungsverteilung im Bereich 250 nm bis 800 nm bei Vollauslastung	Siehe Bild auf letzter Seite
äußere Abmessungen, Höhe	160		
äußere Abmessungen, Tiefe	100		
Angabe zu einer gleichwertigen Leistungsaufnahme ¹⁾			
	-	Falls ja, gleichwertige Leistungsaufnahme (W)	-
		Farbwiedergabeindex (CRI)	0,440 0,403
Parameter für LED- und OLED-Lichtquellen			
Wert des R _a -Farbwiedergabeindex	17	Lebensdauerfaktor	0,96
Lichtstromerhalt	0,96		
Parameter für LED- und OLED-Netzspannungslichtquellen			
Verstärkungsfaktor (von 0-1)	0,85	Faktorstrom ²⁾ in Maximum-Effizienz	2
Angabe, dass eine LED-Lichtquelle eine Leuchtstofflichtquelle ohne eingebauten Vorschaltgerät mit einer bestimmten Leistungsaufnahme ersetzt (Flimmer-Messgröße (f _{FL}))	Ja	Falls ja, Angabe zur erwarteten Leistungsaufnahme (W)	-
Flimmer-Messgröße (f _{FL})	0,1	Messgröße für Stromback-Effekte (f _{EM})	0,1
f _{FL} = nicht auswertbar f _{EM} = nicht auswertbar			



Figure 4: Step-by-step installation guide for the Klighten GW007 wall light.



Figure 5: The IP65 waterproof rating ensures the light is suitable for outdoor use, even in rain.

5. OPERATION

The Klighten GW007 wall light operates via a standard wall switch (toggle switch type). Once installed and powered, simply use your wall switch to turn the light on or off.

Adjusting the Light Direction

The LED panel can be manually rotated up to 350 degrees vertically. Gently hold the light panel and rotate it to your desired angle to achieve optimal illumination for your space.



Figure 6: Example of indoor application, illuminating a staircase.



Figure 7: Example of outdoor application, enhancing the exterior of a building.

6. MAINTENANCE

To ensure the longevity and optimal performance of your Klighten GW007 wall light, follow these maintenance guidelines:

- **Cleaning:** Regularly wipe the fixture with a soft, damp cloth. Avoid using harsh chemicals or abrasive cleaners, as these can damage the finish or the PC lampshade.
- **Inspection:** Periodically check for any loose connections or signs of wear. If any damage is observed, disconnect power and consult a qualified electrician for repair.
- **Outdoor Use:** Due to its IP65 rating, the light is designed to withstand outdoor elements. However, occasional cleaning of accumulated dirt or debris will help maintain its appearance and light output.

7. TROUBLESHOOTING

If you encounter issues with your Klighten GW007 wall light, refer to the following common troubleshooting steps:

- **Light Not Turning On:**

- Check the power supply at the main circuit breaker.
- Ensure the wall switch is in the 'ON' position.
- Verify all wire connections are secure and correctly installed.

- **Light Flickering:**

- Check for loose wire connections.
- Ensure the voltage supply is stable and matches the product's specifications (220V).

- **Reduced Light Output:**

- Clean the lampshade to remove any dirt or dust accumulation.

If the problem persists after performing these steps, please contact Klighten customer support or a qualified electrician.

8. SPECIFICATIONS

Feature	Specification
Brand	Klighten
Model Number	GW007
Power	24 Watt
Luminous Flux	1500 Lumen
Color Temperature	3000 Kelvin (Warm White)
Material	Aluminum, Polycarbonate
IP Rating	IP65 (Water Resistant)
Dimensions (LxWxH)	21L x 16W x 10H cm
Voltage	220 Volt
Light Direction	Adjustable LED Panel
Number of Lights	2 (for the 2-piece set)
Switch Type	Toggle Switch (Forcellante)
Energy Efficiency Class	G
Recommended Use	Indoor and outdoor residential lighting

Scheda informativa del prodotto			
REGOLAMENTO DELEGATO (UE) 2015/1082 DELLA COMMISSIONE per quanto riguarda l'etichettatura energetica delle sorgenti luminose			
Nome e marchio del fornitore: Klighten			
Indirizzo del fornitore: GAVINOSIA CONSULTORIA, SOCIEDAD LIMITADA, CASTELLANA 194A, 28040 MADRID, ES			
Identificativo del modello: GW007			
Tipo di sorgente luminosa:			
Tecnologia d'illuminazione:	LED	Non direzionale o di direzione:	NDS
Tipo di attacco della sorgente luminosa (o altra interfaccia elettrica):	/		
A tensione di rete o non a tensione di rete:	MS	Sorgente luminosa continua (CLS):	Ne
Sorgente luminosa a colori variabili:	No	Immediato:	-
Sorgente luminosa ad alta luminosità:	No		
Schermo antiriflesso:	No	Regolabile:	No
Parametri del prodotto			
Parametro	Valore	Parametro	Valore

Parametri generali del prodotto:																							
Consumo di energia in modo acceso (W _{act} /2500 h), arrotondato alle per centesime all'intero più vicino	24	Classe di efficienza energetica	G																				
Flusso luminoso utile (lm _u), indicando se si riferisce al flusso in una sfera (360°), in un cono emisferico (220°) o in un cono stretto (90°)	1 500 in 50° (302°)	Temperatura di colore correlata, arrotondata a 100 K più vicino, oppure intervallo di temperatura correlata che è possibile impostare, arrotondata a 100 K più vicini	3 000																				
Potenza in modo acceso (P _{act}), espressa in W	24,0	Potenza in modo standby (P _{sb}), espressa in W e arrotondata al secondo decimale	0,05																				
Potenza in modo standby in modo di rete (P _{sb,net}) per le sorgenti luminose compatte, espressa in W e arrotondata al secondo decimale	-	Indice di resa cromatica, arrotondato all'intero più vicino, oppure intervallo di	83																				
Pagina 114																							
<table border="1"> <tr> <td colspan="2">Dimensioni</td> <td>Altezza</td> <td>310</td> <td rowspan="3">Vedi IBC che è possibile impostare</td> <td rowspan="3">Vedi immagine nell'ultima pagina</td> </tr> <tr> <td colspan="2">Larghezza</td> <td>160</td> <td></td> </tr> <tr> <td colspan="2">Profondità</td> <td>100</td> <td></td> </tr> <tr> <td colspan="2">Distribuzione spettrale di potenza a pieno campo nell'intervallo da 250 nm a 600 nm</td> <td colspan="4"></td> </tr> </table>				Dimensioni		Altezza	310	Vedi IBC che è possibile impostare	Vedi immagine nell'ultima pagina	Larghezza		160		Profondità		100		Distribuzione spettrale di potenza a pieno campo nell'intervallo da 250 nm a 600 nm					
Dimensioni		Altezza	310	Vedi IBC che è possibile impostare	Vedi immagine nell'ultima pagina																		
Larghezza		160																					
Profondità		100																					
Distribuzione spettrale di potenza a pieno campo nell'intervallo da 250 nm a 600 nm																							
Dichiarazione di potenza equivalente ¹⁾		Se sì, potenza equivalente (W)		Se sì, potenza equivalente (W)																			
		-		-																			
Dichiarazione di potenza equivalente ²⁾		Se sì, potenza equivalente (lx)		Se sì, potenza equivalente (lx)																			
		-		-																			
Parametri per sorgenti luminose LED e OLED:																							
Valore dell'indice di resa cromatica R9	17	Fattore di sopravvivenza	0,96																				
Fattore di mantenimento del flusso luminoso	0,96																						
Parametri per sorgenti luminose LED e OLED a tensione di rete:																							
Fattore di sfarfallio (flicker)	0,05	Conoscenza dei colori (indice di MacAdam)																					
Dichiarazione che una sorgente luminosa LED può sostituire una sorgente luminosa fluorescente senza dimmeratore analogo avente una determinata potenza		Se sì, dichiarazione di sostituibilità (W)																					
		-																					
Matrice dello sfarfallio (Pst LM)	0,1	Matrice dell'effetto fotobiologico (f ₀₋₄₀)	0,1																				
<small>W_{act}: non normalizzato P_{sb}: non applicabile</small>																							
Pagina 114																							

1.0 = 1.257e+002 lm/W

Modello immesso sul mercato dell'Unione da 14/11/2020.		
Numero di registrazione EPREL: 2268484		https://eprel.ec.europa.eu/pr/2268484
Fornitore: ERP EUROPE LTD (Rappresentante autorizzato)		Site web:
Servizio di assistenza alla clientela:		Nome: GARIBOLDI CONSULTING, SOCIETA' A RESPONSABILITA' LIMITATA
E-mail: compliance.gariboldi@outlook.com		Site web:
Indirizzo: CASTELLANA 9144, 28036 SMOLENO		Telefono: 34 690333070
Telefono:		

Figure 8: EU Energy Efficiency Label for the Klighten GW007. For more details, visit [EPREL Database](https://eprel.ec.europa.eu/pr/2268484).



105 LED



1500 Lm



CRI>80



IP65

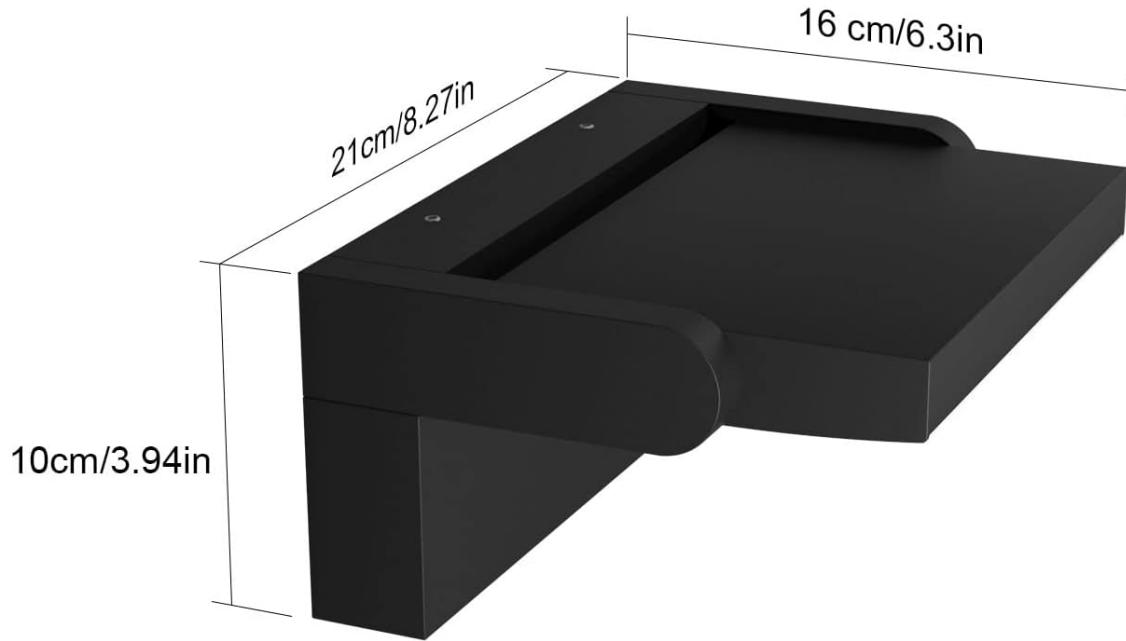


Figure 9: Product dimensions and main cable hole with waterproof sealant.

9. PRODUCT VIDEOS

Your browser does not support the video tag.

Video 1: This video demonstrates the Klighten GW007 wall light's adjustable panel, internal components, and IP65 waterproof capabilities in action.

Your browser does not support the video tag.

Video 2: This video showcases the Klighten GW007 wall light's design, adjustable features, and various application scenarios.

10. WARRANTY AND SUPPORT

Klighten products are manufactured to high-quality standards. This product comes with a standard manufacturer's warranty. For specific warranty details, technical support, or any inquiries regarding your Klighten GW007 wall light, please refer to the warranty card included with your purchase or contact Klighten customer service directly through their official website or the retailer where the product was purchased.

Please retain your proof of purchase for warranty claims.