

## Manuals+

[Q & A](#) | [Deep Search](#) | [Upload](#)

[manuals.plus](#) /

› [KUAFU](#) /

› [KUAFU Adjustable Boat Trailer Guide Instruction Manual BL2397](#)

## KUAFU BL2397

# KUAFU Adjustable Boat Trailer Guide Instruction Manual

Model: BL2397

## PRODUCT OVERVIEW

---

The KUAFU Adjustable Boat Trailer Guide is designed to assist in the safe and efficient loading of boats onto trailers. This guide helps maintain proper trailer position during loading, preventing the boat from loading too deep and reducing the risk of damage. It is suitable for various boat types, including ski boats, fishing boats, and pontoon boats.

## PACKAGE CONTENTS

---

Please verify that all components are present before beginning installation.

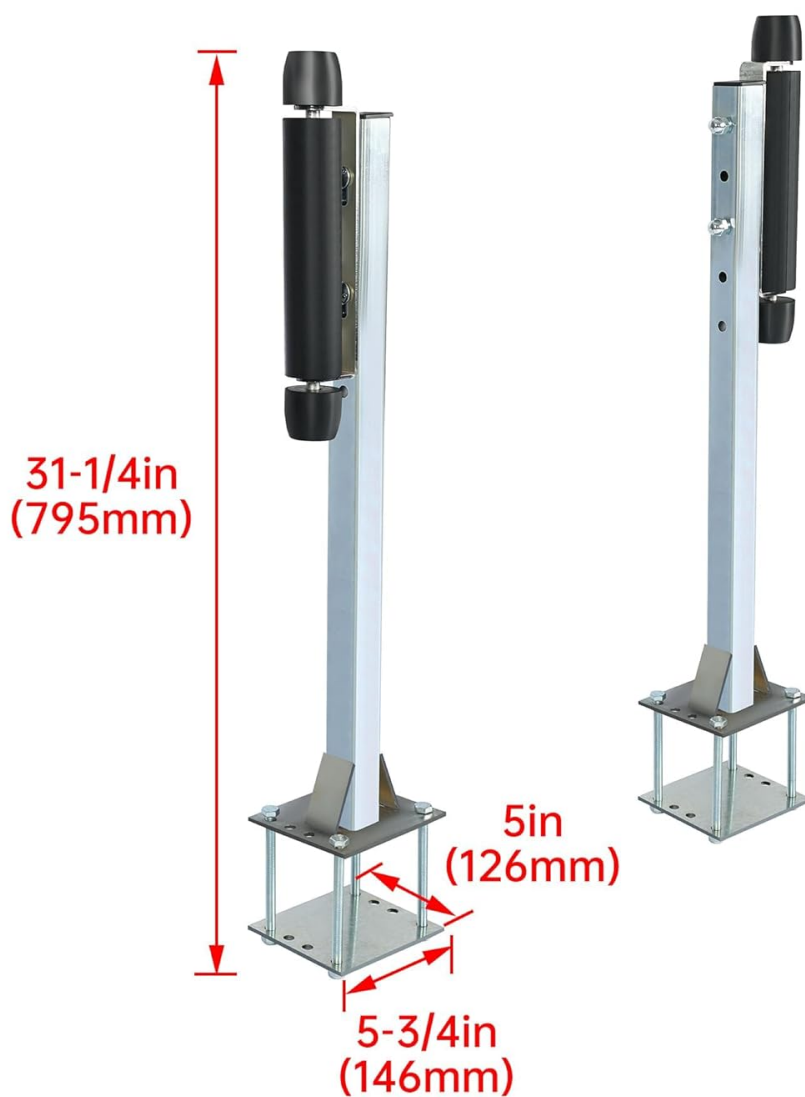
- 2 x Boat Trailer Guide Assemblies
- Installation Accessories (bolts, nuts, washers, mounting plates)
- Instruction Manual (this document)



*Image: All components included in the package, showing the two guide posts, mounting hardware, and rubber rollers.*

## SPECIFICATIONS

Feature	Detail
Material	Premium Quality Steel, Galvanized Surface, PVC Pipes
Dimensions (LxWxH)	62.5 x 17.5 x 15 Centimeters (approx. 31-1/4 inches height)
Item Weight	9.71 kg (approx. 21.4 lbs)
Compatibility	Universal fit for most boat trailers (ski, fishing, pontoon)



*Image: Dimensional drawing of the trailer guide posts, indicating overall height and base measurements.*

## SETUP AND INSTALLATION

The KUAFU Adjustable Trailer Guide is designed for direct bolt-on installation. Professional installation is recommended if you lack experience.

1. **Prepare the Trailer:** Ensure your boat trailer is on a level surface and securely chocked.
2. **Identify Mounting Location:** Determine the optimal position on your trailer frame for the guide posts. They should be positioned to effectively guide your boat without interfering with other trailer components.
3. **Assemble Guide Posts:** Attach the PVC pipes with end caps to the steel guide posts using the provided hardware. Ensure they are securely fastened to prevent movement.
4. **Attach Mounting Plates:** Secure the mounting plates to the base of the guide posts.
5. **Mount to Trailer Frame:** Position the assembled guide posts onto the trailer frame. Use the U-bolts, washers, and nuts to firmly secure the guide posts to the trailer frame. Ensure all bolts are tightened evenly.
6. **Adjust Position:** Once mounted, adjust the guide posts to the desired width to accommodate your boat. The guides should provide sufficient clearance for the boat hull while offering effective guidance.
7. **Final Check:** Double-check all connections and fasteners to ensure they are tight and secure before using

the trailer.



*Image: Close-up view of a single trailer guide post mounted on a trailer frame, illustrating the attachment method.*



*Image: Overhead view of the two trailer guides, highlighting their structure and components.*

## OPERATING INSTRUCTIONS

---

The trailer guides are designed to simplify the boat loading process.

1. **Approach the Trailer:** Slowly guide your boat towards the trailer.
2. **Align with Guides:** Use the trailer guides to align the boat's hull with the center of the trailer. The guides will help steer the boat into the correct position.
3. **Load the Boat:** Continue to slowly power the boat onto the trailer, allowing the guides to keep it centered until it is fully seated.
4. **Secure the Boat:** Once loaded, secure the boat to the trailer using appropriate tie-downs and straps.

**Important: Always ensure the trailer guides are properly adjusted and securely fastened before each use.**

## MAINTENANCE

---

To ensure the longevity and optimal performance of your KUAFU Adjustable Trailer Guides, follow these

maintenance guidelines:

- **Regular Inspection:** Periodically inspect all components, including the steel posts, PVC pipes, and mounting hardware, for any signs of wear, damage, or corrosion.
- **Check Fasteners:** Ensure all bolts, nuts, and washers remain tight. Re-tighten any loose fasteners as needed.
- **Clean Components:** Clean the guides regularly, especially after use in saltwater environments, to prevent salt buildup and corrosion. Use fresh water and a mild detergent.
- **Lubrication:** While not typically required for the main components, ensure any moving parts (if applicable) are free from obstruction.
- **Storage:** If storing the trailer for extended periods, consider covering the guides to protect them from harsh weather conditions.

## TROUBLESHOOTING

---

- **Boat Not Centering Properly:**

- Check the adjustment of the guide posts. They may be too wide or too narrow for your boat.
- Ensure the trailer is level and the boat is approaching straight.
- Verify that the guides are securely mounted and not shifting during loading.

- **Excessive Wear on PVC Pipes:**

- This may indicate improper alignment or excessive friction. Ensure the boat is not rubbing too harshly against the guides.
- Inspect for any sharp edges on the boat or trailer that might be causing damage.

- **Corrosion/Rust:**

- Although galvanized, prolonged exposure to harsh conditions without cleaning can lead to corrosion. Clean regularly, especially after saltwater use.
- Consider applying a protective coating or rust inhibitor if operating in highly corrosive environments.

- **Loose Components:**

- Regularly check and tighten all bolts and nuts. Vibrations during transport can cause fasteners to loosen over time.

## WARRANTY AND SUPPORT

---

For warranty information or technical support regarding your KUAFU Adjustable Trailer Guide, please refer to the documentation provided at the point of purchase or contact KUAFU customer service directly. Keep your purchase receipt as proof of purchase.