

[Manuals.plus](#) /

> [BEL AIR HOME](#) /

> BEL AIR HOME Robin DC Ceiling Fan User Manual

BEL AIR HOME F-2022

BEL AIR HOME Robin DC Ceiling Fan User Manual

MODEL: F-2022



The BEL AIR HOME Robin DC Ceiling Fan features a sleek black and wood design with retractable blades and an integrated LED light. This image shows the fan with its wings fully extended, ready for operation.

1. Introduction

Thank you for choosing the BEL AIR HOME Robin DC Ceiling Fan. This manual provides essential information for the safe installation, operation, and maintenance of your new ceiling fan. Please read it thoroughly before installation and keep it for future reference.

The Robin DC Ceiling Fan is designed to provide efficient air circulation and customizable lighting for your living space. It features a quiet, energy-efficient DC motor, retractable blades, and an integrated 36W LED light with adjustable color temperature (3000K, 4000K, 6500K). Control is made easy with the included remote control, allowing adjustments to fan speed, light settings, and timer functions.

2. Safety Instructions

Always follow basic safety precautions when installing and operating electrical appliances to reduce the risk of fire, electric shock, and personal injury.

- Ensure the main power supply is disconnected before installation, maintenance, or cleaning.
- Installation must be performed by a qualified electrician in accordance with all local and national electrical codes.
- The mounting structure must be capable of supporting the weight of the fan (refer to specifications for weight).
- Do not insert objects into the path of the rotating blades.
- Ensure all electrical connections are secure and properly insulated.
- This appliance is not intended for use by persons (including children) with reduced physical, sensory or mental capabilities, or lack of experience and knowledge, unless they have been given supervision or instruction concerning use of the appliance by a person responsible for their safety.

3. Package Contents

Carefully unpack your ceiling fan and ensure all items are present. If any parts are missing or damaged, contact your retailer immediately.

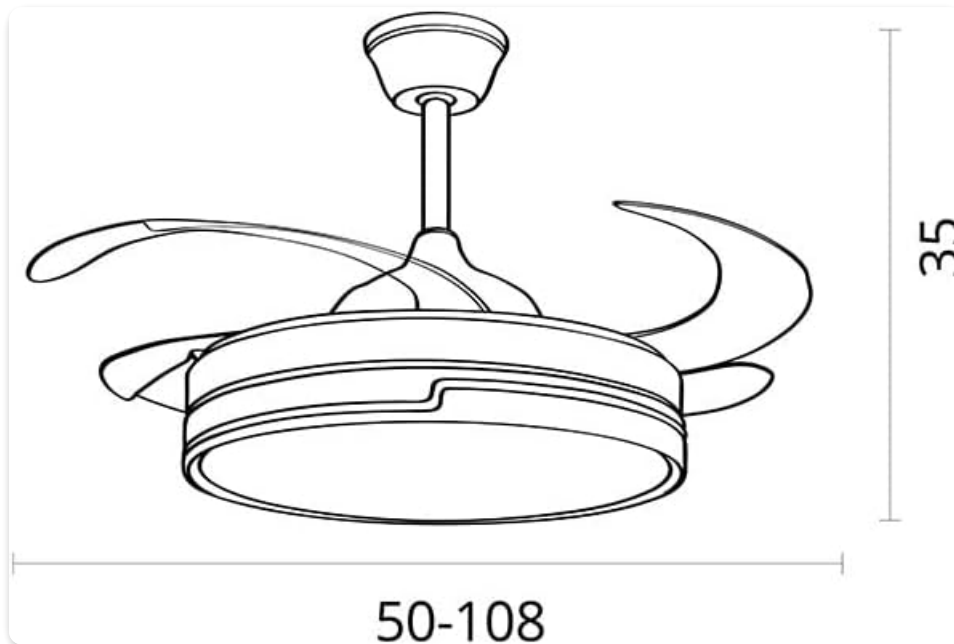
- Ceiling Fan Unit (Motor housing with integrated LED light and retractable blades)
- Mounting Bracket
- Downrod
- Canopy
- Remote Control
- Hardware Pack (screws, wire nuts, etc.)
- User Manual (this document)

4. Setup and Installation

Before beginning installation, ensure the power is turned off at the circuit breaker. It is highly recommended that installation be performed by a certified electrician.

1. **Prepare the Mounting Location:** Ensure the ceiling joist or support structure is strong enough to hold the fan's weight and that there is sufficient clearance for the blades.
2. **Install the Mounting Bracket:** Secure the mounting bracket to the ceiling outlet box or support structure using appropriate screws and washers.
3. **Assemble the Downrod:** Feed the electrical wires from the fan motor through the downrod. Attach the downrod to the fan motor assembly.

4. **Hang the Fan:** Carefully lift the fan assembly and hang it onto the mounting bracket hook. This will free your hands for wiring.
5. **Perform Electrical Connections:** Connect the fan's electrical wires to the household wiring according to the wiring diagram provided in the separate installation guide (if applicable) or standard electrical practices (Live to Live, Neutral to Neutral, Earth to Earth). Ensure all connections are secure with wire nuts.
6. **Secure the Fan:** Once wiring is complete, carefully lift the fan and seat it fully into the mounting bracket. Secure it with the provided screws.
7. **Install the Canopy:** Slide the canopy up to the ceiling and secure it to cover the wiring and mounting bracket.
8. **Test Operation:** Restore power at the circuit breaker and test the fan and light functions using the remote control.



This diagram illustrates the approximate dimensions of the BEL AIR HOME Robin DC Ceiling Fan. The height is approximately 35 cm, and the width (blade span) ranges from 50 cm (blades retracted) to 108 cm (blades extended).

5. Operating Instructions

The BEL AIR HOME Robin DC Ceiling Fan is operated via the included remote control. Ensure batteries are installed in the remote control (batteries not included).

Remote Control Functions:

- **Fan ON/OFF:** Press to turn the fan on or off.
- **Fan Speed Control:** Buttons to increase or decrease fan speed. The DC motor offers multiple speed settings for precise airflow control.
- **Light ON/OFF:** Press to turn the integrated LED light on or off.
- **Light Color Temperature Adjustment:** Cycle through 3000K (Warm White), 4000K (Neutral White), and 6500K (Cool White) to customize your lighting ambiance.
- **Dimming:** Adjust the brightness of the LED light.
- **Timer Function:** Set the fan to turn off automatically after a specified period (e.g., 1 hour, 2 hours, 4 hours).
- **Blade Retraction/Extension:** The fan features unique folding wings that retract when the fan is off and extend

when the fan is operating. This function is automatic.

The quiet operation of the energy-efficient DC motor ensures comfortable air circulation without disturbing noise, making it ideal for any room.

6. Maintenance

Regular maintenance will ensure the longevity and optimal performance of your ceiling fan.

- **Cleaning:** To clean the fan, wipe with a soft, damp cloth. Do not use abrasive cleaners or solvents as they may damage the finish. Ensure power is off before cleaning.
- **Blade Cleaning:** The retractable blades can be gently wiped when extended.
- **Tighten Fasteners:** Periodically check all screws and fasteners on the fan and mounting hardware to ensure they are secure.
- **No Lubrication Required:** The fan's motor is permanently lubricated and does not require oiling.

7. Troubleshooting

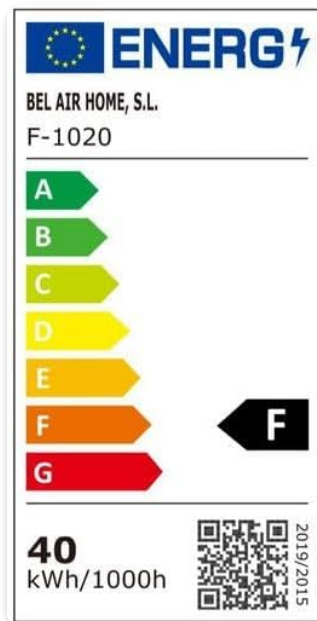
If you experience issues with your fan, consult the following troubleshooting guide before contacting customer support.

Problem	Possible Cause	Solution
Fan does not start.	No power to the fan; Loose wire connections; Remote control battery dead.	Check circuit breaker; Ensure all wires are securely connected; Replace remote control battery.
Light does not work.	Loose wire connection to light; LED driver issue.	Check light wiring connections; If issue persists, contact a qualified electrician or customer support.
Fan makes excessive noise.	Loose screws on fan housing or blades; Mounting bracket not secure.	Tighten all screws; Ensure mounting bracket is firmly attached to the ceiling.
Blades do not retract/extend properly.	Obstruction; Mechanism issue.	Check for any obstructions around the blades; If issue persists, contact customer support.

8. Specifications

Brand	BEL AIR HOME
-------	--------------

Model Number	F-2022
Material	Metal
Colour	Black/Wood
Voltage	230 Volts
Wattage (Light)	36 watts (LED)
Light Colour Temperature	3000K / 4000K / 6500K (Adjustable)
Special Features	LED Light, Timer, Remote Control, Folding Wings
Product Dimensions (L x W x H)	50L x 50W x 40H centimetres (approximate, with blades retracted)
Blade Span (Extended)	Up to 108 cm
Certifications	CE, RoHS



Energy efficiency label for the BEL AIR HOME ceiling fan, indicating an F rating. For more details, visit the official EPREL database: [EPREL Product Information](#)

9. Warranty and Support

BEL AIR HOME products are manufactured to high-quality standards. For information regarding warranty coverage, please refer to the warranty card included with your purchase or contact BEL AIR HOME customer support directly. If you require technical assistance or have questions not covered in this manual, please contact your retailer or BEL AIR HOME customer service. Provide your product model number (F-2022) and purchase date when seeking support.

Manufacturer: BEL AIR HOME

