

[Manuals.plus](#) /

› [Heimerdinger](#) /

› Heimerdinger 1/2 inch Cordless Impact Wrench User Manual

## Heimerdinger LB165

# Heimerdinger 1/2 inch Cordless Impact Wrench User Manual

Model: LB165 | Brand: Heimerdinger

## 1. INTRODUCTION

Thank you for choosing the Heimerdinger 1/2 inch Cordless Impact Wrench. This powerful and versatile tool is designed for heavy-duty industrial tasks, automotive repairs, and large-scale construction projects, offering superior torque strength and efficiency. This manual provides essential information for safe operation, proper maintenance, and effective troubleshooting to ensure optimal performance and longevity of your tool.



Figure 1: Main view of the Heimerdinger 1/2 inch Cordless Impact Wrench.

## 2. IMPORTANT SAFETY INSTRUCTIONS

Always follow basic safety precautions when using electric tools to reduce the risk of fire, electric shock, and personal injury.

- **Work Area Safety:** Keep your work area clean and well-lit. Cluttered or dark areas invite accidents. Do not operate power tools in explosive atmospheres, such as in the presence of flammable liquids, gases, or dust.
- **Electrical Safety:** Avoid body contact with earthed or grounded surfaces. Do not expose power tools to rain or wet conditions.
- **Personal Safety:** Always wear eye protection. Use hearing protection when operating for extended periods. Dress properly; avoid loose clothing or jewelry.
- **Tool Use and Care:** Do not force the power tool. Use the correct tool for your application. Disconnect the battery pack from the tool before making any adjustments, changing accessories, or storing power tools.
- **Battery Pack Use and Care:** Recharge only with the charger specified by the manufacturer. Do not

disassemble the battery pack.

### 3. PRODUCT COMPONENTS

Familiarize yourself with the main parts of your Heimerdinger Cordless Impact Wrench:

- **1/2 inch Square Drive:** For attaching sockets.
- **Brushless Motor:** Provides efficient and powerful operation.
- **Variable Speed Trigger:** Controls the rotation speed.
- **Forward/Reverse Switch:** Changes the direction of rotation.
- **LED Work Light:** Illuminates the work area.
- **Torque/Speed Mode Selector:** Adjusts the power output (3 modes).
- **Battery Interface:** For compatible Makita 18V B series lithium batteries (not included).



Figure 2: Side view highlighting key features.



Figure 3: Illustration of the brushless motor technology.

## 4. SETUP

### 4.1 Battery Installation

This impact wrench is compatible with Makita 18V B series lithium batteries, such as BL1850B, BL1840B, BL1830B, BL1860B. Ensure the battery is fully charged before use.

1. Align the battery pack with the battery port on the bottom of the tool handle.
2. Slide the battery pack into the port until it clicks securely into place.
3. To remove, press the battery release button (if present) and slide the battery out.

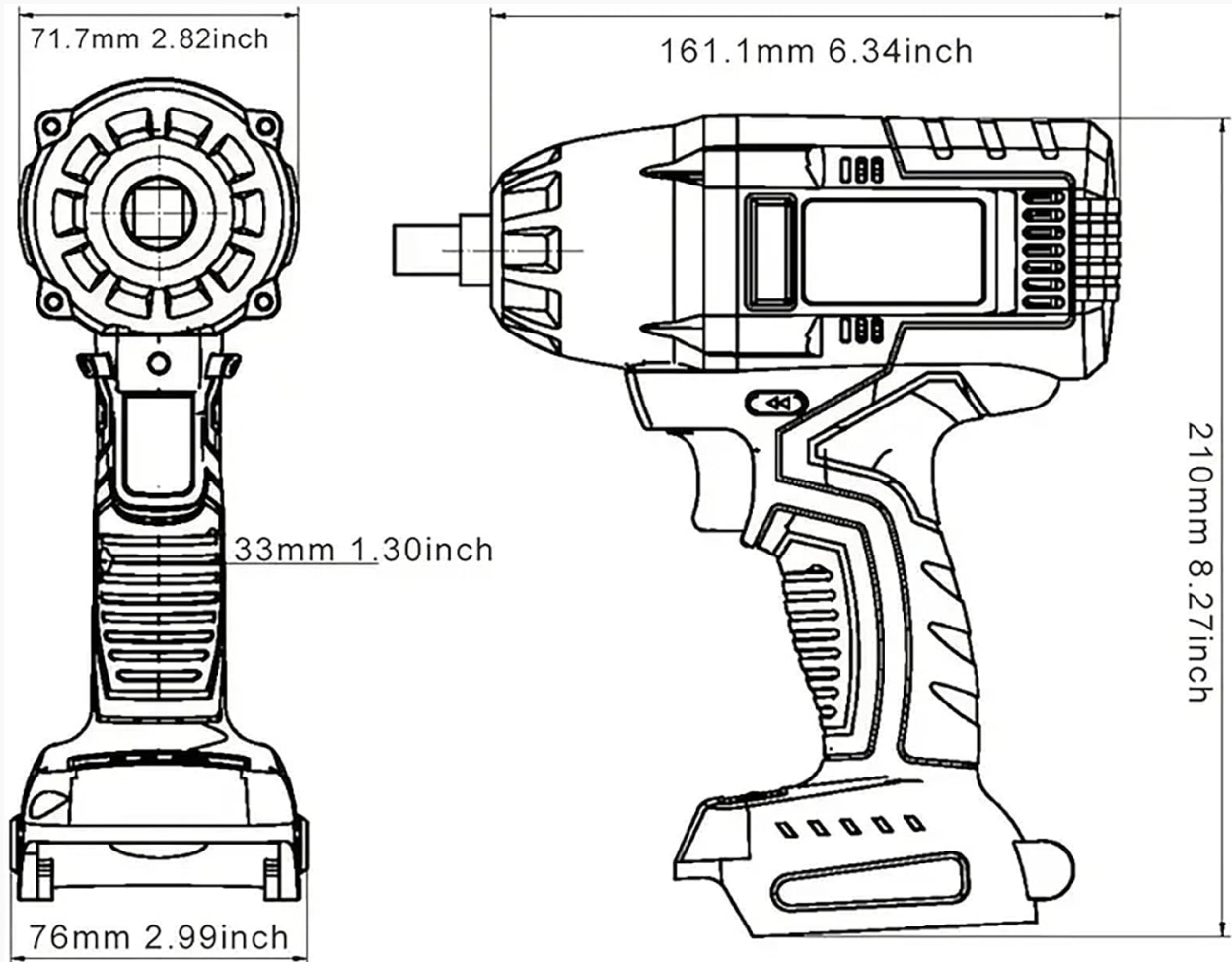


Figure 4: Proper battery installation.

### 4.2 Socket Attachment

Attach the appropriate 1/2 inch drive socket to the square drive anvil of the impact wrench. Ensure it is securely seated.

## 5. OPERATING INSTRUCTIONS

### 5.1 Powering On/Off and Speed Control

The tool is activated by pressing the variable speed trigger. The speed increases as you apply more pressure to the trigger. Release the trigger to turn the tool off.

## 5.2 Forward/Reverse Operation

The forward/reverse switch is located above the trigger. Push the switch to the left for forward rotation (tightening) and to the right for reverse rotation (loosening). Ensure the switch is in the center position when not in use to prevent accidental starting.

## 5.3 Torque/Speed Mode Selection

The impact wrench features 3 speed modes for varying applications:

- **Mode 1:** 0-1800 RPM (Lower torque for delicate tasks)
- **Mode 2:** 0-2300 RPM (Medium torque for general use)
- **Mode 3:** 0-3200 RPM (Maximum torque for heavy-duty applications)

Use the mode selector button (often near the battery indicator) to cycle through the available torque/speed settings. The corresponding indicator light will illuminate.



Figure 5: Battery indicator and torque mode selection panel.

## 5.4 LED Work Light

The built-in LED work light automatically activates when the trigger is pressed, providing illumination in dark or confined spaces.

## 5.5 Operational Demonstration Video

*Video 1: This video demonstrates the physical features of the Heimerdinger 1/2 inch Cordless Impact Wrench, including its design, battery slot, and the functionality of the LED light and torque settings. It also shows the tool in operation.*

# 6. MAINTENANCE

Regular maintenance ensures the longevity and optimal performance of your impact wrench.

- **Cleaning:** Keep the tool's ventilation openings clean and free of debris to prevent overheating. Use a soft, damp cloth to clean the exterior. Do not use harsh chemicals or abrasive cleaners.
- **Storage:** Store the tool in a dry, secure place out of reach of children. Remove the battery pack before storing for extended periods.
- **Battery Care:** Store batteries in a cool, dry place. Do not store fully discharged batteries. Recharge them periodically if not in use.
- **Inspection:** Periodically inspect the tool for any signs of damage, loose screws, or worn parts. Do not

use a damaged tool.

## 7. TROUBLESHOOTING

Problem	Possible Cause	Solution
Tool does not start	Battery not charged or improperly installed.	Ensure battery is fully charged and correctly inserted.
Reduced power/torque	Low battery charge; incorrect torque mode selected.	Recharge battery; select a higher torque mode.
Tool overheats	Blocked ventilation openings; continuous heavy use.	Clean vents; allow tool to cool down.
Excessive vibration	Damaged or worn socket/anvil; internal issue.	Replace socket; contact customer support if problem persists.

## 8. SPECIFICATIONS

Feature	Detail
Model Number	LB165
Voltage	18 Volts
Maximum Torque	479 Ft-lbs (650 N.m)
No-load Speed	0-3200 RPM (3 modes: 0-1800/0-2300/0-3200 RPM)
Impact Rate	0-3200 IPM
Drive Size	1/2 inch Square Drive
Motor Type	Brushless
Item Weight	3.43 pounds
Item Length	6.34 Inches
Material	High Carbon Steel
Battery Compatibility	Makita 18V B series lithium battery (not included)



Figure 6: Technical dimensions of the impact wrench.

## 9. WARRANTY INFORMATION

Heimerdinger products are manufactured to high-quality standards and are guaranteed against defects in materials and workmanship. Please refer to the product packaging or contact customer support for specific warranty terms and conditions applicable to your region. Keep your proof of purchase for warranty claims.

## 10. CUSTOMER SUPPORT

For any inquiries, technical assistance, or warranty claims, please contact our dedicated customer service team. We are committed to ensuring your satisfaction with the Heimerdinger 1/2 inch Cordless Impact Wrench.

**Online Support:** Visit the official Heimerdinger website for FAQs and support resources.

**Email Support:** Refer to your product packaging for the customer service email address.

