

Manuals+

[Q & A](#) | [Deep Search](#) | [Upload](#)

manuals.plus /

- › [Eurotech Showers](#) /
- › [Eurotech Showers Twinglide ANZA-200 Frameless Shower Door Instruction Manual](#)

Eurotech Showers ANZ200-5976-C

Eurotech Showers Twinglide ANZA-200 Frameless Shower Door Instruction Manual

Model: ANZ200-5976-C (Brushed Nickel)

PRODUCT OVERVIEW

The Eurotech Showers Twinglide ANZA-200 is a frameless sliding shower door designed for modern bathrooms. It features 5/16" (8mm) clear tempered safety glass, adjustable width for openings between 56" to 59", and a height of 76". The double sliding bypass configuration allows entry from either side. Constructed with anodized aluminum and 304 stainless steel hardware, it ensures durability and smooth operation.



Figure 1: Eurotech Showers Twinglide ANZA-200 Frameless Shower Door.

Product Overview Video

Your browser does not support the video tag.

Video 1: An overview of the Eurotech Showers Anza-200 Shower Door, highlighting its features and design.

SAFETY INFORMATION

Please read and understand all instructions before installation and use. Professional installation is recommended. Always handle glass panels with care to prevent injury or damage.

Handling Glass Doors Safely:

- Tempered glass is strong when installed but fragile if mishandled.
- Keep glass upright. Store and move vertically.
- Use soft padding. Always set glass only on rubber, foam, or cloth.
- Protect edges and corners. Corners are the most fragile; even small bumps can shatter the panel.
- Lift, don't drag. Dragging causes chips or stress cracks.
- Keep packaged until installation. Packaging guards corners.
- Inspect before installation. Stop if you see chips or cracks.
- Do not over-tighten hardware. Too much pressure can crack glass.

PARTS LIST

Ensure all components are present before beginning installation. Refer to the diagram below for identification.

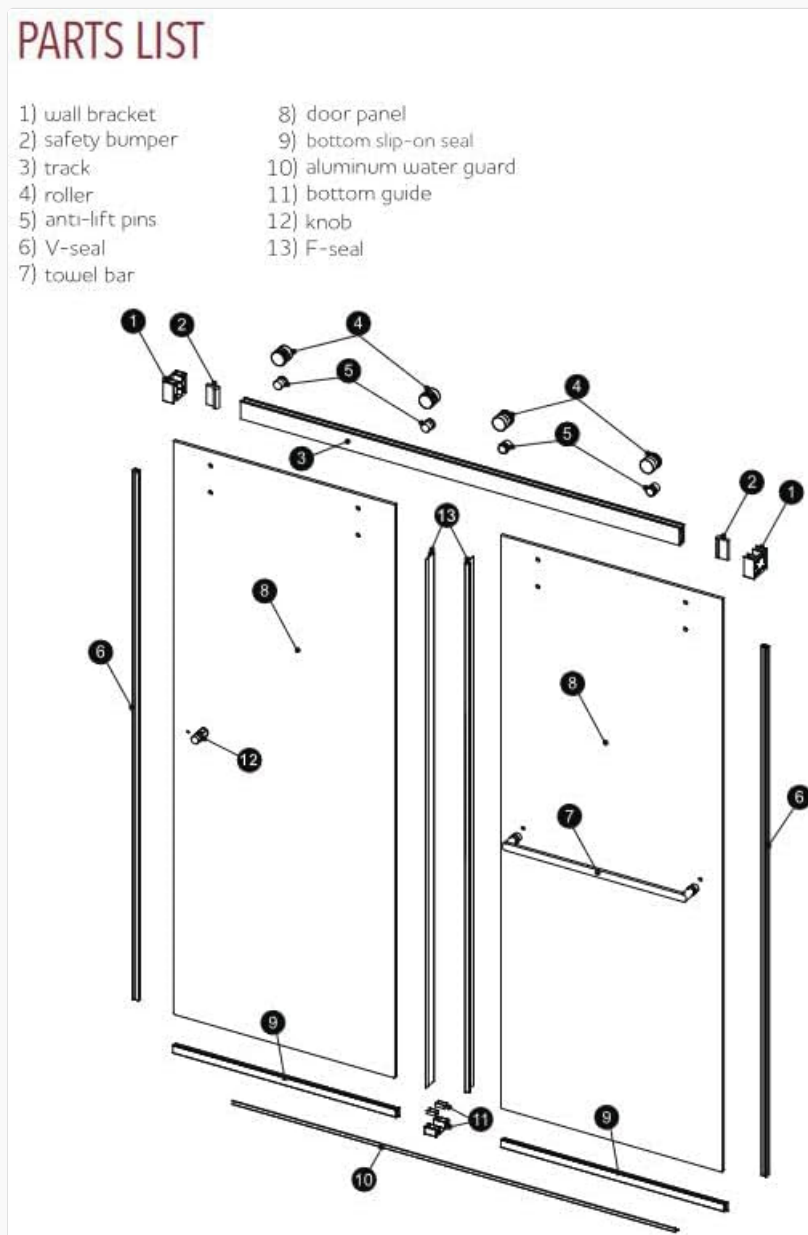


Figure 2: Exploded view of shower door components.

1. Wall bracket
2. Safety bumper

3. Track
4. Roller
5. Anti-lift pins
6. V-seal
7. Towel bar
8. Door panel
9. Bottom slip-on seal
10. Aluminum water guard
11. Bottom guide
12. Knob
13. F-seal

SETUP AND INSTALLATION

Detailed instructions with clear illustrations are provided to ensure a smooth installation process. All measurements should be taken only AFTER walls are finished (tile, backwalls, etc.).

Installation Video Guide

Your browser does not support the video tag.

Video 2: Step-by-step installation guide for the Eurotech Showers Anza-200 Shower Door.

Key Installation Steps:

1. **Measure and Mark:** Place painter's tape on the curb. Find the center of the curb from left to right wall and mark. Then, find the center of the curb depth and mark. Measure the distance from the outside of the curb to the center of the curb and transfer this measurement to the far left and right sides of the curb. Draw plumb lines up the left/right wall from these marks.
2. **Confirm Curb Level:** Use a level to check if the curb is level. If it is out of level, determine the high side of the curb.
3. **Measure and Cut Track/Water Guard:** Measure the overall width of the shower opening. Cut the top track to the overall width minus 3/4". Cut the aluminum water guard to the overall width minus 1/16".
4. **Install Wall Brackets:** Mark and install the first wall bracket on the high side of the curb. Use the track to level and mark the opposite wall. Mark and install the second wall bracket. Ensure proper sealing with silicone.
5. **Install Rollers, Knob, and Seals on Interior Door:** Install rollers and the knob on the interior door panel. Attach the bottom slip-on seal. Place the interior door inside the shower on a padded surface.
6. **Install Rollers, Towel Bar, and Seals on Exterior Door:** Install rollers and the towel bar on the exterior door panel. Attach the bottom slip-on seal. Place the exterior door outside the shower on a padded surface.
7. **Install Track and Wall Bracket Caps:** Install the top track onto the wall brackets. Tighten the set screws. Install the wall bracket caps.
8. **Mark and Install Guide and Water Guard:** Center the bottom guide on the crossmarks on the curb and mark the holes. Place the water guard. Measure the distance from the front of the curb to the water guard in the center and transfer to the left and right sides, marking with a pencil. Drill holes for the guide using a masonry drill bit and secure it.
9. **Hang Doors and Install Anti-Jump Pins:** Carefully hang both door panels onto the top track, keeping them centered in the opening. Install the anti-jump pins.

10. **Install Safety Bumpers and Remaining Seals:** Install the safety bumpers on the top track ends. Install the V-seals and F-seals on the vertical edges of the glass panels as shown in the parts diagram.
11. **Adjust Doors to Walls:** Adjust the door panels to ensure they align properly with the walls and operate smoothly.
12. **Silicone Guide and Water Guard:** Apply silicone sealant around the bottom guide and water guard for a watertight seal.

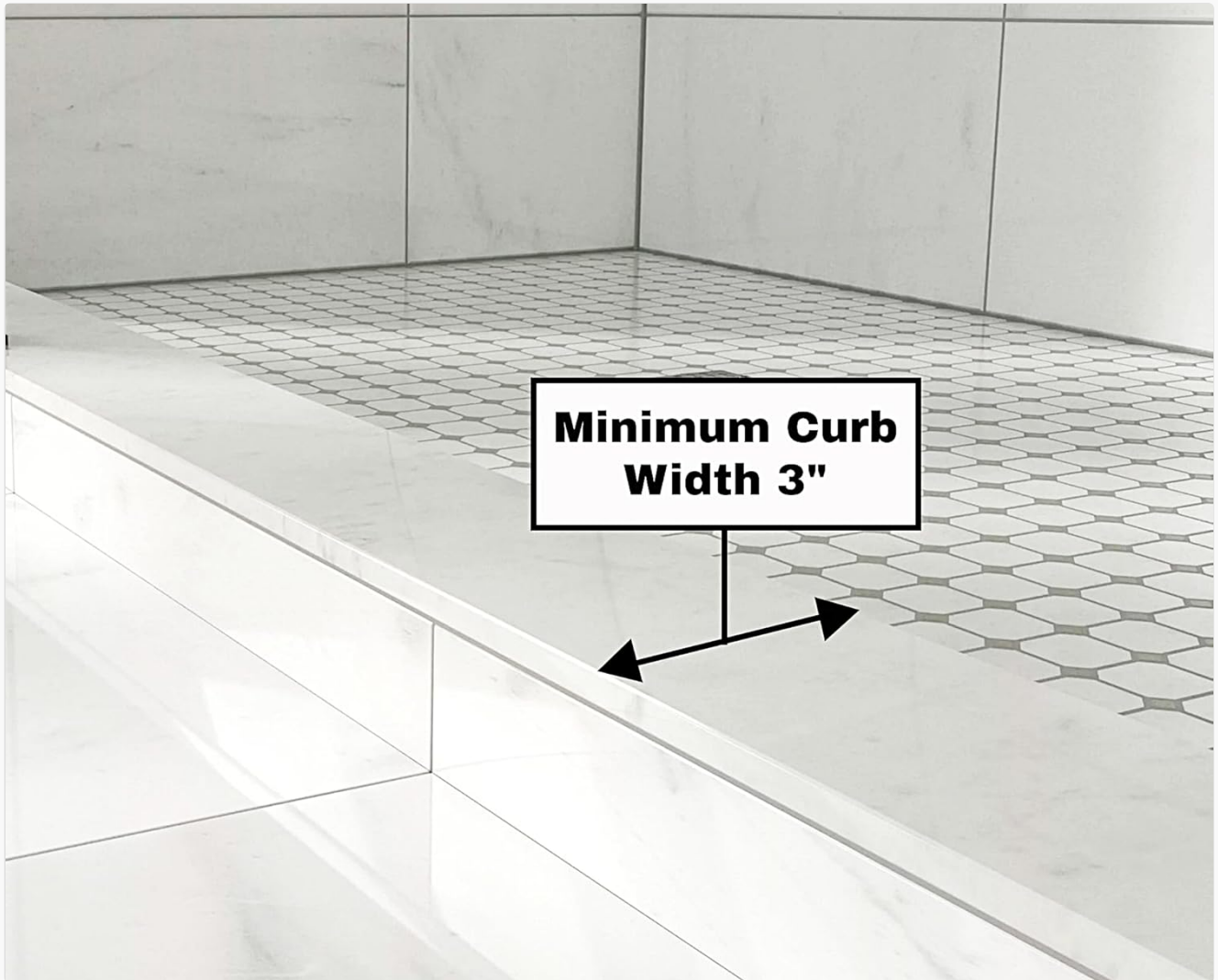


Figure 3: Important measurement for curb width during installation.

OPERATING INSTRUCTIONS

The Twinglide ANZA-200 features a double sliding bypass configuration, allowing both door panels to slide smoothly for entry from either the left or right side. The dual-sided rollers and anti-jump pins ensure quiet and effortless operation. Gently push or pull the door panels using the towel bar or knob to open and close them.

MAINTENANCE

The glass panels are treated with an Anti-Spot coating on both sides, significantly reducing water spots and simplifying cleaning. To maintain the pristine condition of your shower door:

- Regularly wipe down glass surfaces with a soft cloth after showering to prevent water spot buildup.
- For deeper cleaning, use a mild, non-abrasive glass cleaner. Avoid harsh chemicals or abrasive pads that could damage the Anti-Spot coating or hardware finish.

- Periodically check and clean the rollers and track to ensure continued smooth operation.
- Inspect seals for wear and tear and replace if necessary to prevent leaks.



Figure 4: Visual comparison of EnduroShield treated versus untreated glass.

EnduroShield Glass Treatment Demonstration

Your browser does not support the video tag.

Video 3: Demonstration of the difference between EnduroShield treated and untreated glass, showing reduced water spots.

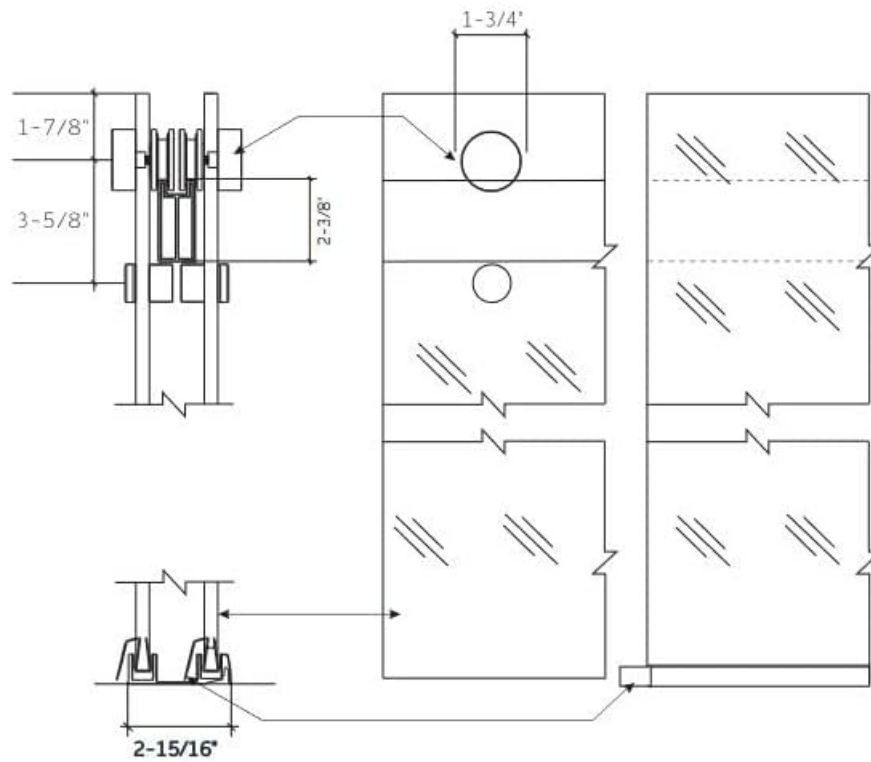
TROUBLESHOOTING

Common Issues and Solutions:

- **Water Leaks:** Frameless shower doors are designed to deflect water, not retain it. High water pressure, body sprays, incorrect placement of shower heads, and improperly pitched curbs or sills can cause leaking. Ensure proper sealing during installation and check for any gaps in seals.
- **Doors Not Sliding Smoothly:** Check the rollers and track for any debris or buildup. Clean the track regularly. If the hardware feels loose after several usages, it may need adjustment.
- **Seals Not Effective:** If seals are not effectively containing water, inspect them for damage or improper installation. Ensure they are correctly positioned and replace if worn.

SPECIFICATIONS

SPECIFICATIONS



FOOTPRINT USING ALUMINUM WATER GUARD

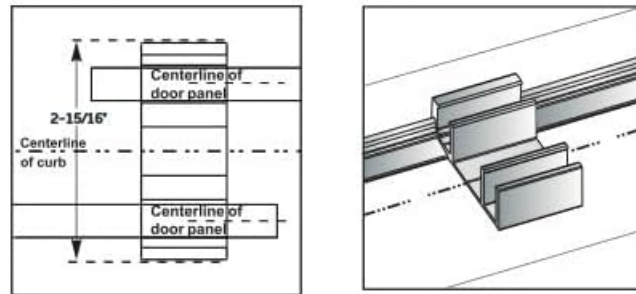


Figure 5: Technical specifications and footprint diagram.

Feature	Detail
Brand	Eurotech Showers
Model Number	ANZ200-5976-C
Color	Brushed Nickel
Material	Aluminum, Glass, Stainless Steel
Style	Contemporary
Adjustable Width	56" to 59"
Walk-in Width	24.875" to 26.625"
Height	76"
Glass Thickness	5/16" (8mm)
Glass Type	Clear Tempered Safety Glass (ANSI-certified)

Glass Treatment	Anti-Spot coating on both sides
Adjustable Out of Plumb	Up to 3/8" (10mm)
Item Weight	133 Pounds
Product Dimensions	0.31 x 59 x 76 inches

WARRANTY AND SUPPORT

Eurotech Showers is committed to customer satisfaction. In the event of any damage or defects, replacement items can be swiftly sent from our warehouse. If you experience any issues with your order such as damage, missing parts, or any other concern, please do not refuse shipment or return it without contacting us first. Shipping large items back and forth is costly and often unnecessary. Simply get in touch with us, and we'll resolve the issue quickly and efficiently. We're here to help and committed to making things right!

For support, please refer to the contact information provided with your purchase or visit the official Eurotech Showers website.

