

[Manuals.plus](#) /

> [vidaXL](#) /

> vidaXL Bed Frame with Headboard, White, 120x200 cm - Instruction Manual

vidaXL 3207490

vidaXL Bed Frame with Headboard, White, 120x200 cm - Instruction Manual

Model: 3207490

INTRODUCTION

Thank you for choosing the vidaXL Bed Frame with Headboard. This manual provides essential information for the safe assembly, operation, and maintenance of your new bed frame. Please read all instructions carefully before beginning assembly and retain this manual for future reference.



Image 1: The vidaXL Bed Frame with Headboard, White, 120x200 cm, fully assembled in a bedroom environment.

SAFETY INFORMATION

Attention: This product requires assembly. Follow the instructions carefully to avoid instability or collapse. When handling components, pay attention to sharp edges to prevent injury.

- Always assemble the bed frame on a soft, clean surface to prevent damage to the product and your flooring.
- Ensure all screws and fasteners are securely tightened before use. Periodically check and re-tighten as necessary.
- Do not allow children to climb on or play with the unassembled or partially assembled bed frame.
- Use only the provided hardware for assembly. Substituting parts may compromise the structural integrity.
- If any parts are missing or damaged, do not proceed with assembly. Contact customer support immediately.

PACKAGE CONTENTS

Before starting assembly, verify that all components are present and undamaged. The package typically includes:

- Headboard panels
- Side rails

- Footboard panels
- Support legs
- Plywood slats for the bed base
- Hardware pack (screws, bolts, connectors, Allen key)
- Assembly instructions (this manual)

A mattress is not included with this bed frame.

ASSEMBLY INSTRUCTIONS

Assembly requires two people and approximately 1-2 hours. Ensure you have adequate space and a soft surface for assembly.

1. **Prepare Components:** Unpack all parts and lay them out on a clean, soft surface. Identify each component using the provided diagrams.
2. **Assemble the Headboard:** Attach the headboard panels together using the designated screws and connectors. Ensure they are aligned correctly.
3. **Attach Side Rails to Headboard:** Connect the side rails to the assembled headboard using the appropriate hardware. Do not fully tighten screws at this stage.
4. **Assemble the Footboard:** Connect the footboard panels and attach them to the other end of the side rails.
5. **Install Support Legs:** Securely attach any central support legs to the bed frame structure.
6. **Insert Slats:** Place the plywood slats onto the designated supports along the side rails. Ensure each slat is properly seated and secured, if applicable, with screws or plastic caps.



Image 2: Detail of plywood slat attachment to the bed frame.

7. **Final Tightening:** Once all components are in place, systematically tighten all screws and fasteners. Ensure the frame is stable and level.



Image 3: Overview of the assembled bed frame before mattress placement.

OPERATING INSTRUCTIONS

This bed frame is designed to provide a stable and comfortable base for your mattress. Once assembled, place your suitable mattress (120 x 200 cm) directly onto the plywood slats. The headboard offers excellent back support for reading or watching television in bed.

Ensure the bed frame is placed on a flat, level surface to prevent wobbling and ensure stability.

MAINTENANCE

To ensure the longevity and appearance of your bed frame, follow these maintenance guidelines:

- **Cleaning:** Clean the bed frame with a dry cloth. Avoid using harsh chemicals or abrasive cleaners, which can damage the engineered wood finish.
- **Regular Checks:** Periodically inspect all screws and connections to ensure they remain tight. Re-tighten any loose fasteners to maintain stability.
- **Avoid Excessive Weight:** Do not place excessive weight on the bed frame beyond its intended use as a sleeping surface.
- **Protect from Moisture:** While engineered wood offers some moisture resistance, avoid prolonged exposure to liquids to prevent swelling or damage.

TROUBLESHOOTING

Problem	Possible Cause	Solution
Bed frame is wobbly or unstable.	Loose fasteners; uneven floor.	Ensure all screws and bolts are fully tightened. Move the bed to a level surface or use shims under legs if necessary.
Squeaking noises.	Loose connections; friction between parts.	Tighten all assembly hardware. Apply a small amount of lubricant (e.g., silicone spray) to contact points between slats and frame if noise persists.
Mattress does not fit.	Incorrect mattress size.	This bed frame is designed for a 120 x 200 cm mattress. Verify your mattress dimensions.

PRODUCT SPECIFICATIONS

- **Brand:** vidaXL
- **Model Number:** 3207490
- **Color:** White
- **Material (Frame):** Engineered Wood
- **Material (Slats):** Plywood
- **Overall Dimensions (L x W x H):** 203 x 125 x 70 cm (79.9" x 49.2" x 27.6")
- **Suitable Mattress Dimensions (L x W):** 200 x 120 cm (78.7" x 47.2") (Mattress not included)
- **Weight:** 18.4 kg
- **Assembly Required:** Yes

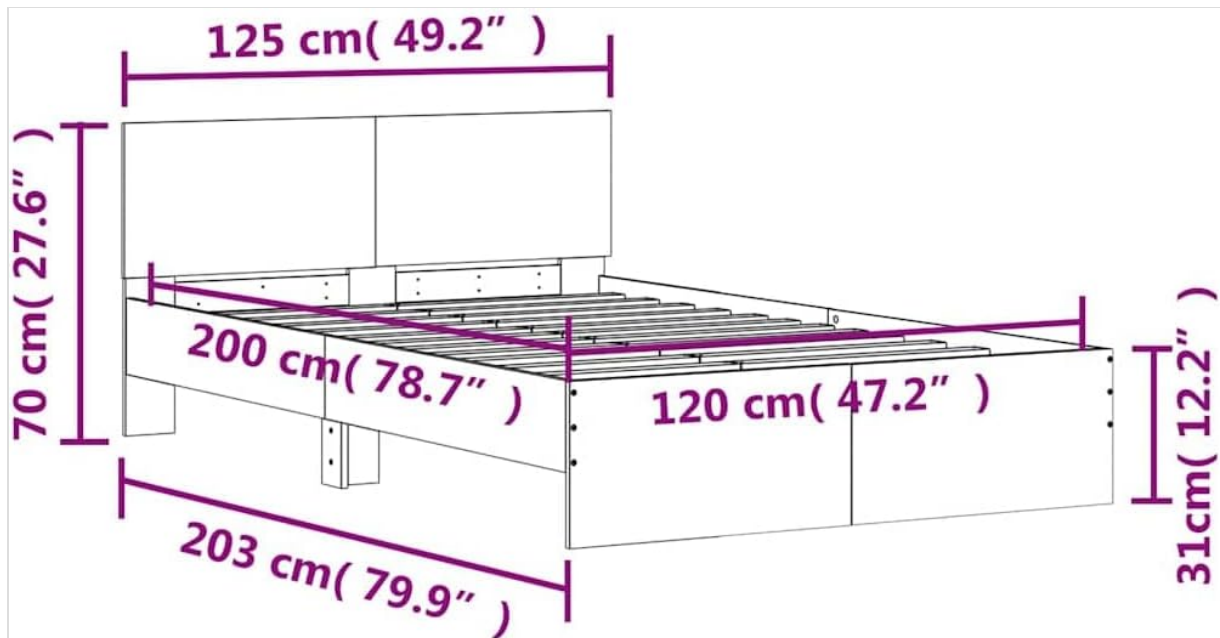


Image 4: Dimensional diagram of the bed frame.

WARRANTY INFORMATION

Specific warranty details for this product may vary by region and retailer. Please refer to your purchase documentation or contact the retailer where you purchased the product for information regarding warranty coverage and terms. Generally, vidaXL products are covered by a standard manufacturer's warranty against defects in materials and workmanship.

CUSTOMER SUPPORT

If you have any questions, require assistance with assembly, or need to report missing/damaged parts, please contact vidaXL customer support or the retailer from whom you purchased the product. Please have your model number (3207490) and purchase details ready when contacting support.

For more information, you can visit the official vidaXL website or the retailer's support page.