



[Manuals.plus](#) /

> [FAVSH](#) /

> [FAVSH Queen Size Upholstered Platform Bed with Storage Headboard, Charging Station, and LED Lights Instruction Manual](#)

FAVSH FAVSH Queen Upholstered Platform Bed

FAVSH Queen Size Upholstered Platform Bed

Model: FAVSH Queen Upholstered Platform Bed

Brand: FAVSH

[Introduction](#) [Safety Information](#) [Package Contents](#) [Setup](#) [Operating](#)
[Instructions](#) [Maintenance](#) [Troubleshooting](#) [Specifications](#) [Warranty & Support](#)

1. INTRODUCTION

This manual provides detailed instructions for the assembly, operation, maintenance, and troubleshooting of your FAVSH Queen Size Upholstered Platform Bed. Please read this manual thoroughly before assembly and use to ensure proper function and safety. Keep this manual for future reference.

2. SAFETY INFORMATION

- **Two-Person Assembly:** Assembly of this bed frame is recommended for two individuals to ensure safety and ease.
- **Small Parts:** Keep all small parts and packaging materials away from children and pets to prevent choking hazards.
- **Overtightening:** Do not overtighten screws during assembly, as this may damage the components. Tighten until snug.
- **Weight Capacity:** Do not exceed the maximum weight capacity of 1100 lbs for the bed frame.
- **Stable Surface:** Assemble the bed on a clean, flat, and stable surface to prevent damage or injury.
- **Electrical Components:** Ensure all electrical connections for the LED lights and charging station are properly secured and not exposed to moisture.
- **Regular Checks:** Periodically check all bolts and screws to ensure they remain tight.

3. PACKAGE CONTENTS

Your FAVSH Queen Size Upholstered Platform Bed is efficiently packed in one box. Please verify that all components are present before beginning assembly. Refer to the assembly diagram for a complete list of parts and hardware.

QUEEN SIZE

L x W x H: 86.3 x 61.8 x 42 in.

Max Capacity: 1100 lbs

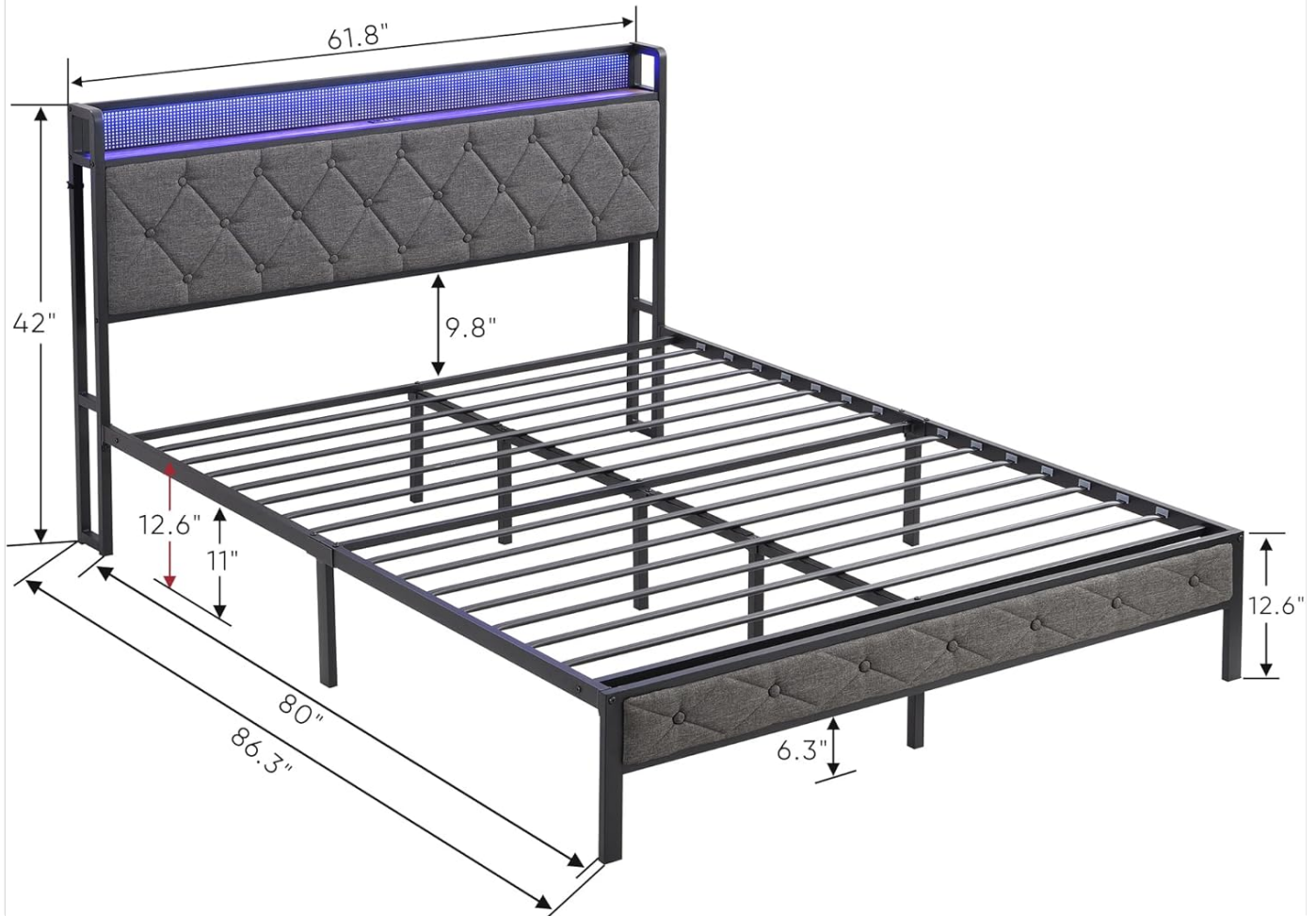


Figure 3.1: All components and dimensions of the bed frame. This image illustrates the various parts included in the package, along with the overall dimensions of the assembled Queen size bed frame, which are 86.3 inches (L) x 61.8 inches (W) x 42 inches (H). The maximum weight capacity is 1100 lbs.

4. SETUP AND ASSEMBLY

Follow the step-by-step instructions provided in the included assembly guide. Assembly typically takes less than one hour with two people. Ensure all parts are correctly oriented before tightening screws.

1. **Unpack Components:** Carefully remove all parts from the packaging and lay them out on a clean, soft surface to prevent scratches.
2. **Assemble Headboard:** Attach the headboard frame components, ensuring the LED light strip and charging station are correctly positioned.
3. **Connect Side Rails:** Securely attach the side rails to the headboard and footboard (if applicable).
4. **Install Support Legs:** Fasten all support legs to the bed frame.
5. **Place Slats:** Lay the metal slats across the bed frame. The 17 heavy-duty metal slats provide optimal support and eliminate the need for a box spring. A special silent sponge bar is integrated into the center beam to reduce noise.
6. **Final Tightening:** Once all components are in place, go back and ensure all screws and bolts are securely tightened.

CLASSIC BUTTON UPHOLSTERED BACKREST

Breathable and wear resistant linen fabric & High density sponge backrest



Comfortable Experience



Skin Friendly



Additional storage space with Metal hole baffle & Charging port



Convenient



Anti slip off

Figure 4.1: The assembled bed frame structure, illustrating the metal frame, slats, and headboard before mattress placement.



Figure 4.2: Front view of the bed frame, highlighting the upholstered headboard and footboard sections, and the metal slat support system.

5. OPERATING INSTRUCTIONS

5.1. LED Lights Operation

The integrated RGB LED lights in the headboard offer customizable ambient lighting. Control the lights using the provided remote control or a compatible mobile application.

- **Color Selection:** Choose from over 60,000 colors to match your preference.
- **Brightness Adjustment:** Adjust the light intensity.
- **Flash Modes:** Select various dynamic lighting effects.
- **Timing Function:** Set a timer for the lights to turn on or off automatically.
- **Music Sync:** The lights can synchronize and flash with the rhythm of music.



Figure 5.1: Control options for the LED lights, including remote and mobile application, demonstrating various modes like music sync.

5.2. Charging Station Usage

The headboard includes a built-in charging station for your electronic devices.

- **Ports:** The charging station features 3 USB ports (5V/2A) and 1 Type-C port.
- **Power Cord:** A 6.6-foot power cord is provided for connecting the charging station to a power outlet.
- **Usage:** Simply plug your devices into the available ports for convenient charging.



Figure 5.2: Detailed view of the charging station, showing the 3 USB ports and 1 Type-C port for device charging.



Figure 5.3: The headboard storage shelf in use, with electronic devices connected to the charging ports and the LED lights illuminated.

6. MAINTENANCE

- **Cleaning the Frame:** Wipe the metal frame with a dry cloth to remove dust. Avoid abrasive cleaners.
- **Upholstery Care:** The upholstery is 100% polyester. Spot clean with a damp cloth and mild detergent if necessary. Do not use harsh chemicals.
- **Hardware Check:** Periodically inspect all bolts and screws to ensure they are tight. Retighten as needed to maintain stability and prevent noise.
- **Electrical Components:** Keep the LED lights and charging station free from dust and debris. Do not expose to liquids.

7. TROUBLESHOOTING

Problem	Possible Cause	Solution
---------	----------------	----------

Problem	Possible Cause	Solution
LED lights not working	Power connection loose; remote battery dead; app not connected.	Check power cord connection. Replace remote battery. Ensure mobile app is correctly paired.
Charging ports not functioning	Power cord disconnected; device not compatible; port damage.	Verify the charging station's power cord is securely plugged in. Test with a different device. Contact support if ports are damaged.
Bed frame is noisy/squeaking	Loose bolts/screws; uneven assembly.	Check and tighten all assembly bolts and screws. Ensure the bed is on a level surface. The silent sponge bar should minimize metal-on-metal noise.
Parts missing or damaged	Shipping damage; packaging error.	Refer to the package contents list and contact customer support immediately for replacement parts.

8. SPECIFICATIONS

Product Dimensions (L x W x H): 86.3" x 61.8" x 42"

Bed Size: Queen

Item Weight: 30 pounds

Maximum Weight Capacity: 1100 lbs

Material: Metal, Upholstered (100% Polyester fabric)

Color: Black+Dark Gray

Finish Type: Powder Coated

Special Features: LED Lights, Storage Headboard, Charging Station (3 USB, 1 Type-C), Noise-Free Design

Box Spring Required: No

Assembly Required: Yes

Product Care: Wipe with Dry Cloth

UPC: 766679480894

ASIN: B0CW2KDL2D

9. WARRANTY AND SUPPORT

Specific warranty information for this product is not provided in this manual. For details regarding warranty coverage, claims, or technical support, please contact FAVSH customer service directly through their official website or the retailer where the product was purchased. Please have your purchase receipt and product model information ready when contacting support.

