

[Manuals.plus](#) /

> [Yitong Angel](#) /

> Yitong Angel Twin XL 14-Inch Metal Platform Bed Frame: Instruction Manual

Yitong Angel Twin XL 14 inch

Yitong Angel Twin XL 14-Inch Metal Platform Bed Frame

Instruction Manual

1. INTRODUCTION

This manual provides detailed instructions for the assembly, operation, maintenance, and troubleshooting of your Yitong Angel Twin XL 14-inch Metal Platform Bed Frame. Please read all instructions carefully before assembly and use to ensure safe and proper operation.



2. SAFETY INFORMATION

Important Safety Warnings:

- Do not load more than 3500 lbs onto the bed frame. Exceeding this weight limit may cause structural damage and injury.
- Exercise caution around reinforced legs and steel slats during assembly and use.
- Be careful when handling components, as some edges may be sharp.
- Ensure all bolts are securely tightened before use and periodically check for tightness.
- Keep small parts and packaging materials away from children to prevent choking hazards.

3. PACKAGE CONTENTS

Before beginning assembly, verify that all components are present and undamaged. If any parts are missing or damaged, please contact customer support.

The package typically includes:

- Bed frame sections (main frame, support legs, crossbars)
- Steel slats
- Anti-slip gaskets (4 pieces)
- Thickened rubber pads for feet
- Assembly tools (e.g., Allen wrench, mini ratchet)
- Instruction manual

1. STRONG STRUCTURE



×4

2. ANTI-SLIP GASKETS

3. RUBBER MAT



Image 3.1: Key components including structural elements, anti-slip gaskets, and rubber feet.

4. SETUP (ASSEMBLY INSTRUCTIONS)

Assembly of the Yitong Angel Twin XL 14-inch Metal Platform Bed Frame is designed to be straightforward and typically takes approximately 15 minutes. All necessary tools are included.

1. **Unpack and Identify Parts:** Carefully remove all components from the packaging. Lay them out on a clean, soft surface to prevent scratches. Refer to the parts list to ensure all pieces are present.
2. **Assemble Frame Sections:** Connect the main frame sections according to the included diagram. Use the provided bolts and tighten them securely with the supplied tools.
3. **Install Support Legs:** Attach any additional support legs to the frame as indicated in the instructions. Ensure they are firmly attached and stable.
4. **Place Steel Slats:** Position the steel slats across the frame. The U-shaped groove design helps fix the slats in place, preventing slippage.
5. **Apply Anti-Slip Features:** Attach the four anti-slip tape strips to the steel slats to reduce mattress movement.

Install the thickened rubber pads onto the bottom of the bed frame support feet to prevent sliding and protect your floor.

6. **Final Check:** Double-check all connections to ensure they are tight and secure. The frame should be stable and level.



Image 4.1: Detail of the U-shaped groove for slat stability and horizontal add-on tube for improved load bearing.

5. OPERATING INSTRUCTIONS

Your Yitong Angel bed frame is designed for optimal performance and convenience.

Mattress Support

This platform bed frame features strong and durable steel slats, eliminating the need for a box spring. It is suitable for various mattress types, including latex, memory foam, and innerspring mattresses, and helps extend their lifespan. The integrated anti-slip tape on the slats further secures your mattress in place.

Under-Bed Storage

The 14-inch height of the bed frame provides approximately 12 inches of clearance underneath, offering valuable storage space. This area is ideal for storing seasonal clothing, shoes, storage bins, or other items, helping to keep your living space organized.



Image 5.1: Visual representation of the 12-inch under-bed storage space.



Image 5.2: The bed frame in a room, demonstrating the practical under-bed storage area.

6. MAINTENANCE

To ensure the longevity and continued performance of your bed frame, follow these maintenance guidelines:

- **Regular Cleaning:** Wipe down the metal frame with a soft, damp cloth. Avoid abrasive cleaners or harsh chemicals that could damage the finish.
- **Check Connections:** Periodically inspect all bolts and connections to ensure they remain tight. Re-tighten any loose fasteners to maintain stability and prevent noise.
- **Inspect Slats:** Ensure all steel slats are properly seated in their U-shaped grooves and are not bent or damaged.
- **Floor Protection:** Verify that the rubber pads on the feet are intact and providing adequate floor protection. Replace if worn.

7. TROUBLESHOOTING

If you encounter any issues with your bed frame, refer to the following common troubleshooting tips:

Noise/Squeaking

- **Loose Bolts:** The most common cause of noise is loose connections. Re-tighten all bolts on the frame.
- **Slat Movement:** Ensure all steel slats are correctly positioned within their U-shaped grooves. The anti-slip tape should help prevent slat movement.
- **Uneven Floor:** If the floor is uneven, the frame may not sit level, leading to stress points and noise. Try repositioning the bed or using shims under the feet if necessary.

Mattress Slippage

- **Anti-Slip Tape:** Ensure the anti-slip tape strips are properly applied to the steel slats. If they are worn, consider replacing them or adding additional non-slip material.
- **Foot Plugs:** Verify that the foot plugs with rubber pads are securely in place, as they also contribute to overall frame stability.

If problems persist after following these steps, please contact Yitong Angel customer support.

8. SPECIFICATIONS

| | |
|----------------------------|--|
| Brand | Yitong Angel |
| Model | Twin XL 14 inch |
| Size | Twin XL |
| Product Dimensions | 79.5"L x 38"W x 14"H |
| Material | Alloy Steel |
| Color | Black |
| Weight Capacity | Up to 3500 lbs |
| Under-bed Clearance | 12 inches |
| Assembly Required | Yes (Easy Assembly) |
| Special Features | Heavy Duty Metal, Steel Slat Support, No Box Spring Needed, Easy Assembly, Storage Space, Squeak Resistant |

DIMENSION & CAPACITY

✓ **Twin XI Size | For Twin XI Mattress: 80"*38"**

✓ **No Box Spring Needed**

✓ **Max Load up to 3500 lbs**

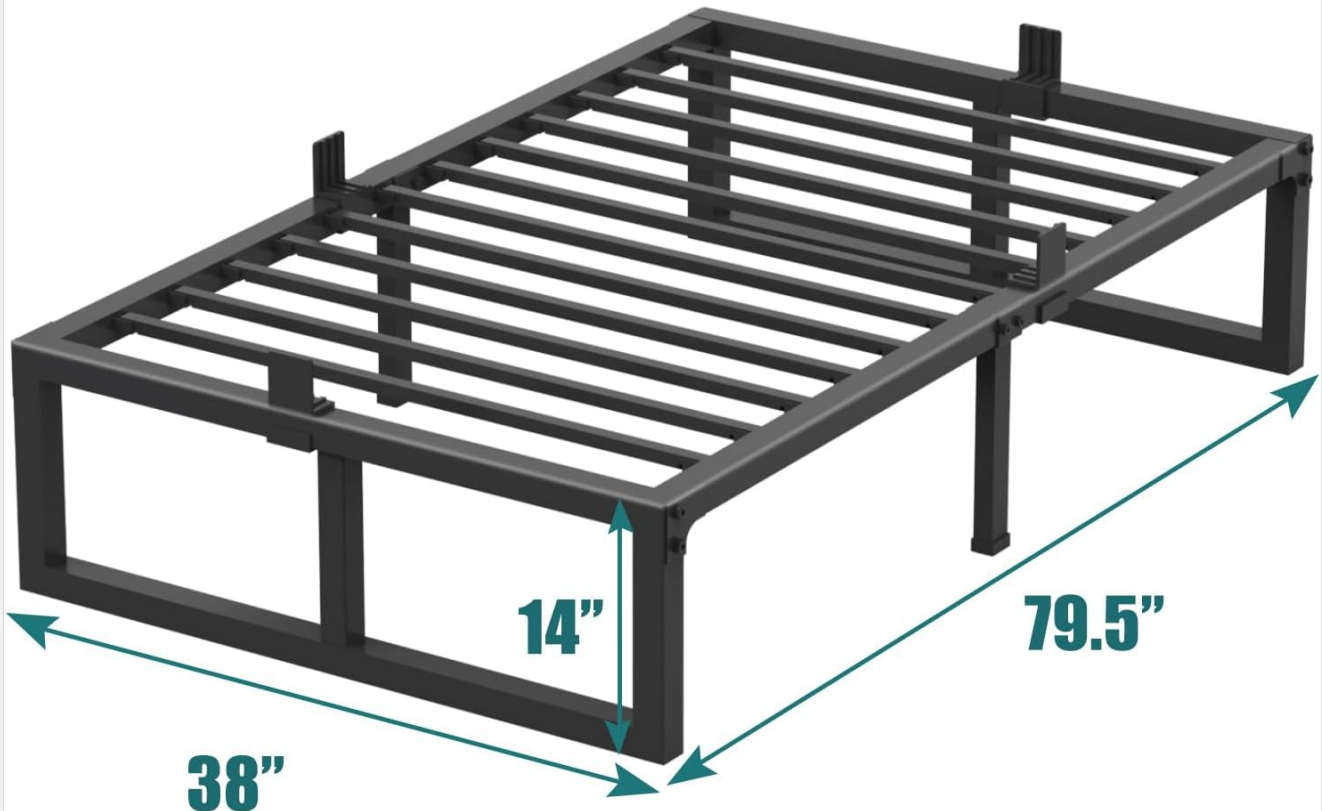


Image 8.1: Dimensions and capacity overview of the Twin XL bed frame.

9. WARRANTY AND SUPPORT

For warranty information or customer support, please refer to the documentation included with your purchase or contact Yitong Angel directly through their official channels. Keep your purchase receipt for any warranty claims.

Contact Information:

- Visit the [Yitong Angel Store on Amazon](#) for product information and support.