

[Manuals.plus](#) /

> [COBI](#) /

> COBI Historical Collection WWII Lockheed P-38 Lightning Plane Model 5882 Instruction Manual

COBI 5882

COBI Historical Collection WWII Lockheed P-38 Lightning Plane Instruction Manual

Model: 5882 | Brand: COBI

INTRODUCTION

This instruction manual provides detailed guidance for assembling and understanding your COBI Historical Collection WWII Lockheed P-38 Lightning Plane model. The Lockheed P-38 Lightning was a renowned American long-range fighter aircraft from World War II, known for its distinctive twin-engine design. This 1:48 scale model, consisting of 332 high-quality COBI construction blocks, offers an accurate representation of this historic aircraft.



Image: The fully assembled COBI Lockheed P-38 Lightning model, showcasing its distinctive twin-boom design and olive green finish.

SAFETY INFORMATION

WARNING: CHOKING HAZARD - Small parts. Not suitable for children under 3 years due to small components that could be swallowed.

Always ensure assembly is performed under adult supervision for younger users. Keep all small parts away from infants and pets.

PACKET CONTENTS

PACKAGE CONTENTS

Your COBI Lockheed P-38 Lightning Plane model package contains the following items:

- 332 high-quality COBI construction elements
- 1 Instruction Manual (this document)



Image: The product box for the COBI Lockheed P-38 Lightning, displaying the model and key features.

SETUP AND ASSEMBLY

Follow the clear and intuitive instructions provided in the included instruction manual. The assembly process is designed with step-by-step directions based on illustrations.

1. Unpack all construction elements from the box.
2. Refer to the illustrated manual for the sequence of block connections.
3. Ensure all connections are firm to maintain the model's structural integrity.
4. Note that the model features 100% prints, eliminating the need for stickers.

The COBI construction blocks are fully compatible with other brands of construction blocks, allowing for potential integration with existing collections.

OPERATING INSTRUCTIONS

Once assembled, the COBI Lockheed P-38 Lightning model offers interactive features:

- **Rotating Propellers:** The model is equipped with propellers that can be manually rotated. Gently spin the propellers to simulate flight.
- **Movable Landing Gear:** The landing gear can be positioned for display in either a retracted or deployed state, depending on the model's design.



Image: The assembled model with its propellers in motion, demonstrating the rotating feature.

MAINTENANCE

To ensure the longevity and appearance of your COBI model, follow these maintenance guidelines:

- **Cleaning:** Dust the model regularly with a soft, dry cloth or a soft brush. For stubborn dirt, a slightly damp cloth can be used, but avoid excessive moisture.
- **Storage:** Store the model in a cool, dry place away from direct sunlight to prevent discoloration or material degradation.
- **Handling:** Handle the model with care to avoid accidental disassembly or damage to delicate parts.

TROUBLESHOOTING

Should you encounter any issues during assembly or with the model, consider the following:

- **Missing Parts:** If you find any missing parts, double-check the packaging and surrounding area. If parts are genuinely missing, contact COBI customer support.
- **Difficulty Assembling:** Re-examine the instruction manual's illustrations carefully. Ensure that the correct blocks are being used for each step and that they are oriented correctly.
- **Loose Connections:** If parts feel loose, ensure they are fully pressed together. COBI blocks are designed for a secure fit.

SPECIFICATIONS

Feature	Detail
Model Name	Lockheed P-38 Lightning
Model Number	5882
Brand	COBI
Scale	1:48

Feature	Detail
Number of Elements	332
Assembled Length	24.5 cm (9.65 inches)
Assembled Width	33 cm (12.99 inches)
Assembled Height	8 cm (3.15 inches)
Item Weight	12 ounces
Recommended Age	7 years and up
Release Date	August 26, 2024



Image: Side profile of the model indicating a length of 24.5 cm (9.65 inches) and a height of 8 cm (3.15 inches).

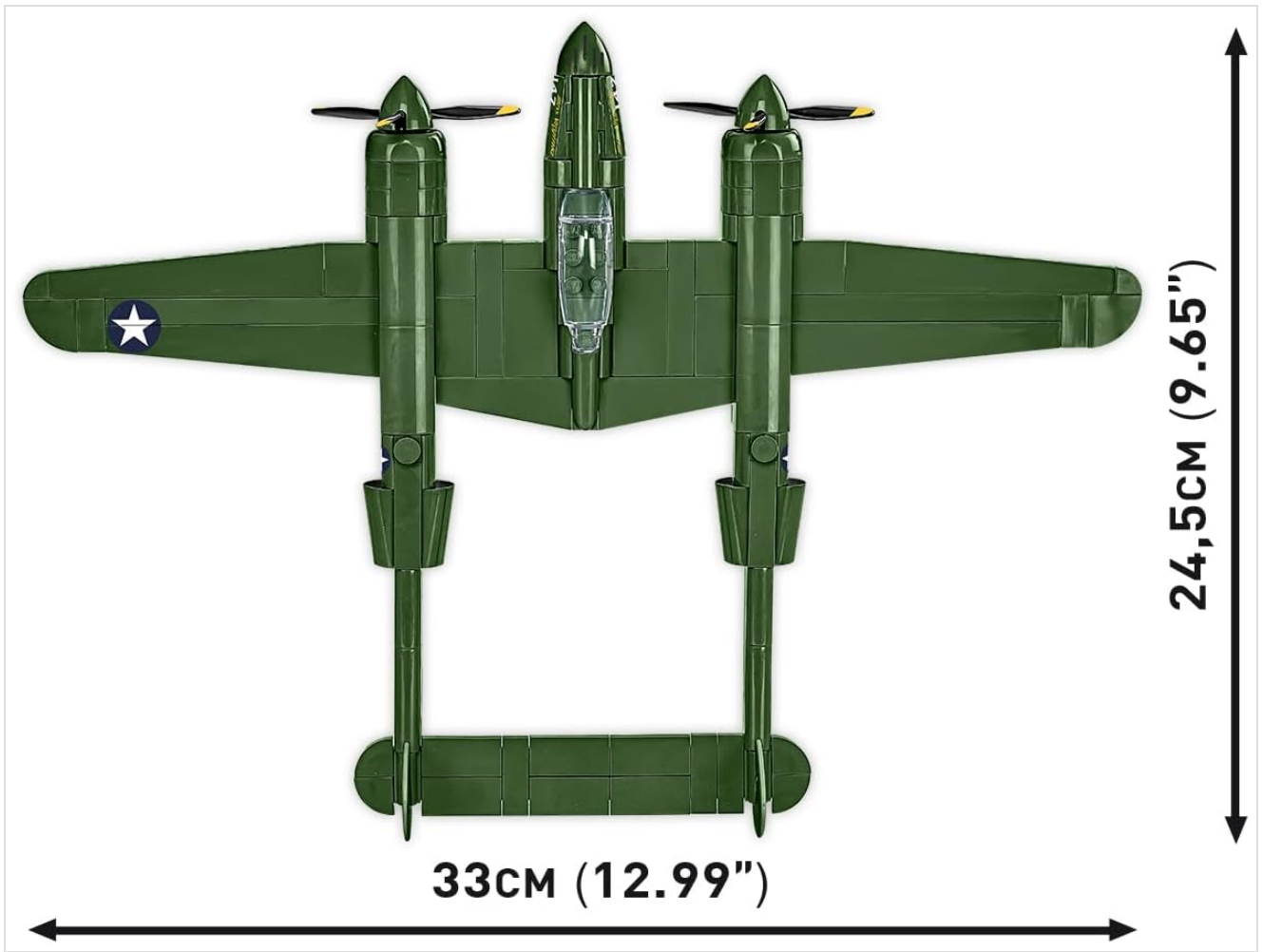


Image: Top-down view of the model indicating a width of 33 cm (12.99 inches).

LOCKHEED® P-38 LIGHTNING®

IN SERVICE - 1941 - 1949

PLACE OF ORIGIN - UNITED STATES

ROLE - FIGHTER

WINGSPAN - 15,85M (52' 0")

LENGTH - 11,53M (37' 10")

HEIGHT - 3,91M (12' 10")

GROSS WEIGHT - 9 798KG (21 600LB)

**ENGINE - 2x V-12, ALLISON V-1710F-30,
1 082KW (1 425HP)**

RANGE - 4 185KM (2 600MI)

RATE OF CLIMB - 6 095M/7MIN (20 000FT/7MIN)

SERVICE CEILING - 13 410KM (44 000FT)

**ARMAMENT - 4x 12,7MM (.50") MACHINES GUNS,
1x 20MM (.787") BROWNING M2C**

SPEED - 665KM/H (414MPH)

CREW - 1



Image: A graphic detailing historical specifications of the actual Lockheed P-38 Lightning aircraft, including service dates, origin, role, dimensions, weight, engine, range, rate of climb, service ceiling, armament, speed, and crew.

WARRANTY AND SUPPORT

COBI products are manufactured to high-quality standards. For any concerns regarding manufacturing defects or missing parts, please contact COBI customer support. Keep your proof of purchase for warranty claims. For further assistance or inquiries, please visit the official COBI website or contact their customer service department through the contact information provided on the product packaging or their website.