



[Manuals.plus](#) /

› [BLIKA](#) /

› BLIKA 1/8" Black Invisible Cable Railing Kits User Manual

## BLIKA B0CFP4T1GK

# BLIKA 1/8" Black Invisible Cable Railing Kits User Manual

Brand: **BLIKA** | Model: **B0CFP4T1GK**

## INTRODUCTION

---

The BLIKA 1/8" Black Invisible Cable Railing Kits are designed to provide a sleek, modern, and secure railing solution for both indoor and outdoor applications. Crafted from marine-grade T316 stainless steel with a black oxidized finish, these kits offer superior corrosion resistance, wear resistance, and weather protection. The invisible receiver and swage stud end design ensures a minimalist aesthetic by securing the cable wire directly into the post, eliminating visible hardware. This manual provides detailed instructions for installation, specifications, and maintenance to ensure optimal performance and longevity of your cable railing system.



*Image: Overview of the BLIKA 1/8" Black Invisible Cable Railing Kit components.*

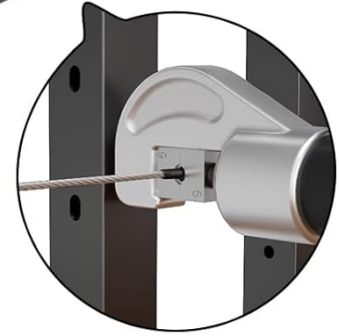
## PRODUCT COMPONENTS

---

Each BLIKA 1/8" Black Invisible Cable Railing Kit includes the following:

- **Invisible Receiver:** The main body of the fitting, designed to be concealed within the post.
- **Swage Stud End:** The threaded component that attaches to the cable and screws into the invisible receiver.
- **Quantity:** 20 sets of T316 stainless steel 1/8" black invisible receiver and swage stud end.

# PRODUCT DETAIL



**\* T316 STAINLESS STEEL**  
**\* FOR 1/8 INCH WIRE ROPE CABLE**



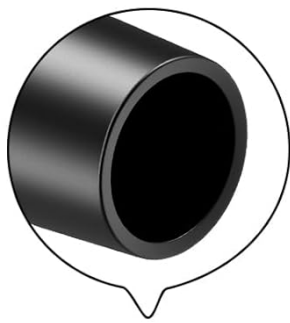
*Image: Detailed view of the invisible receiver and swage stud end.*

## SPECIFICATIONS

Feature	Detail
Material	T316 Marine Grade Stainless Steel
Finish	Black Oxidized Coating
Cable Compatibility	1/8 inch stainless steel wire rope cable
Overall Receiver Length	1.75 inches
Threaded Stud Length	2.98 inches

Feature	Detail
Thread Size	1/4-20
Minimum Length (assembled)	3.73 inches
Maximum Length (assembled)	4.59 inches
Post Compatibility	4"x4" wood/metal posts (level & angle installation)

## For 1/8" Stainless Cable Railing



For 1/8 inch wire rope

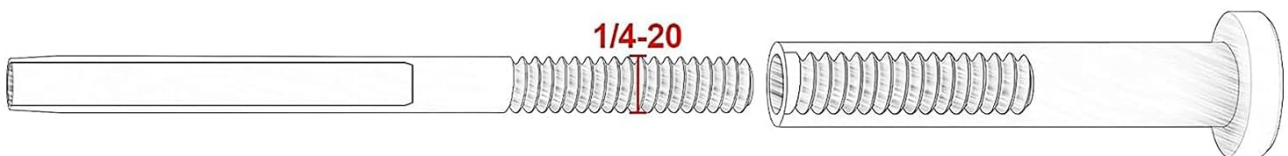
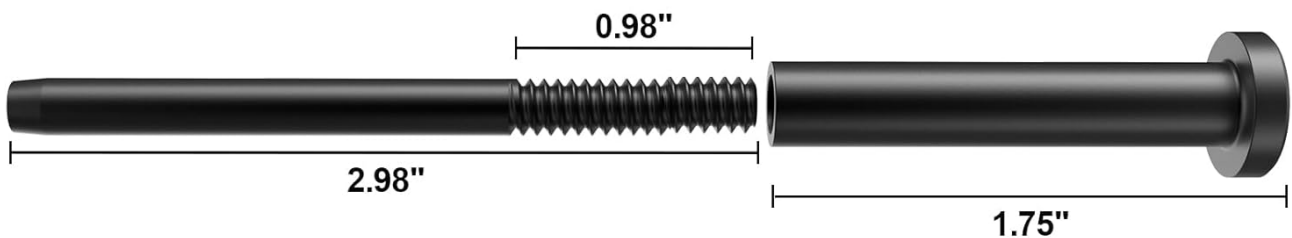


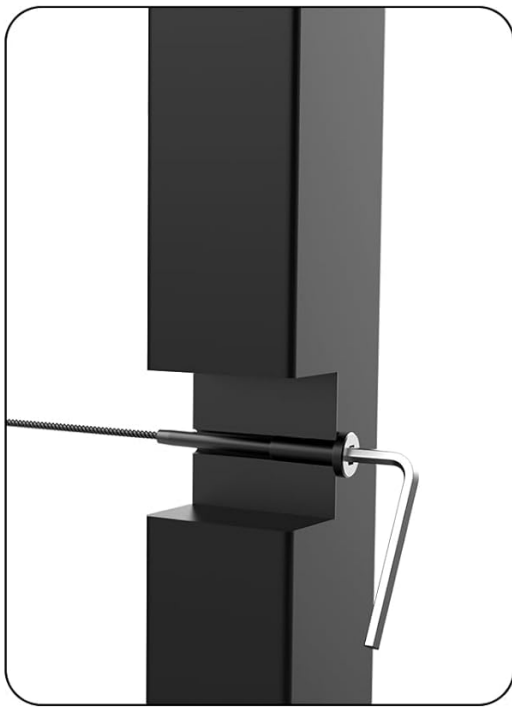
Image: Dimensional specifications of the BLIKA invisible cable railing components.

### APPLICATIONS

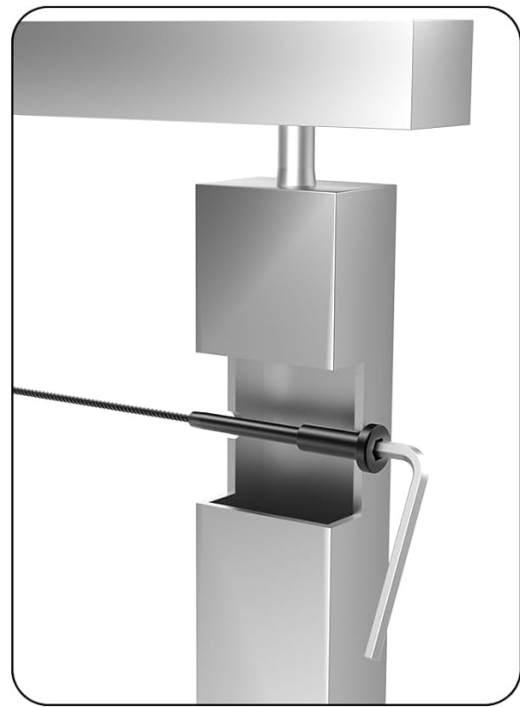
These invisible cable railing kits are versatile and suitable for a variety of railing projects, offering a clean and unobstructed view. They are ideal for:

- **Exterior Decks:** Enhancing outdoor living spaces with a modern aesthetic.
- **Stairways:** Providing secure and visually appealing railings for both straight and angled stair runs.
- **Interior Applications:** Modernizing indoor spaces with a minimalist railing design.
- **Wood and Metal Posts:** Designed for seamless integration with both 4"x4" wood and metal posts.

## Invisible Receiver and Swage Stud End For Metal Posts/Wood Posts



**Wood Posts**



**Metal Posts**

*Image: Compatibility with wood and metal posts.*

## Invisible cable railing kits can also support angled runs



Image: Support for angled cable runs.

### INSTALLATION GUIDE

The BLIKA invisible cable railing kits are designed for straightforward installation. Follow these steps carefully for a secure and aesthetically pleasing result. A hydraulic crimper tool and cable cutter are required for proper installation.

#### Video Tutorial

Your browser does not support the video tag.

*Video: Official BLIKA installation guide for 1/8" Black Invisible Cable Railing Kits. This video demonstrates the crimping and assembly process for the invisible receiver and swage stud end.*

#### Step-by-Step Instructions

1. **Prepare Posts:** Ensure your 4"x4" wood or metal posts are securely installed and properly drilled for the cable runs. The holes should be precisely aligned for a clean finish.

2. **Cut Cable:** Measure and cut your 1/8 inch stainless steel wire rope cable to the required lengths. Account for the length of the fittings and any tensioning needed.
3. **Swage Stud End:** Insert one end of the cable into the swage stud end. Use a hydraulic crimper tool (e.g., B083Z5JQJ9) to securely crimp the stud onto the cable. Ensure a firm and permanent connection.
4. **Insert into Post:** Feed the cable with the swaged stud end through the pre-drilled hole in your post. The swage stud end will be concealed within the post.
5. **Attach Invisible Receiver:** On the other end of the cable, attach the invisible receiver. This component features a hexagon socket for easy tightening.
6. **Tension Cable:** Once both ends are attached and concealed within the posts, use an Allen wrench or appropriate tool to tighten the invisible receiver, tensioning the cable. Ensure the cable is taut but not over-tensioned to prevent damage to posts or fittings.
7. **Repeat:** Repeat these steps for all cable runs. For angled applications like stairways, consider using 5/16" ID 30-degree black angle washers (e.g., B0CM2WZVYQ) for optimal alignment and support.



Image: Visual guide to the installation of the invisible cable railing system.

## MAINTENANCE

The BLIKA 1/8" Black Invisible Cable Railing Kits are designed for low maintenance due to their T316 stainless steel construction and black oxidized finish. To ensure the longevity and appearance of your railing system:

- **Regular Cleaning:** Periodically wipe down the cables and visible parts of the fittings with a soft cloth and mild soap and water. Rinse thoroughly with clean water and dry to prevent water spots.
- **Avoid Harsh Chemicals:** Do not use abrasive cleaners, steel wool, or harsh chemicals, as these can damage the black oxidized finish and the stainless steel.
- **Inspect for Damage:** Annually inspect all components for any signs of wear, corrosion, or loosening. Address any issues promptly to maintain safety and integrity.

## TROUBLESHOOTING

Here are some common issues and their potential solutions:

- **Cable is not taut enough:**

*Solution:* Ensure the invisible receiver is fully tightened. If the cable has stretched slightly over time, re-tension it. Verify that the crimped connection on the swage stud end is secure and has not slipped.

- **Fittings appear to stick out from posts:**

*Solution:* This can occur if the post depth or drilling is not precise. Ensure the drilled holes are deep enough to fully conceal the invisible receiver and swage stud end. For 4x4 posts, verify that the post dimensions are accurate and that the fittings are compatible with the post thickness. Some posts may require specific drilling depths to achieve a flush, invisible look.

- **Difficulty crimping the stud end:**

*Solution:* Ensure you are using a proper hydraulic crimper tool designed for 1/8 inch cable fittings. Incorrect tools or improper technique can lead to weak connections or damage to the stud. Apply sufficient pressure as per the crimper tool's instructions.

- **Cable length is incorrect after crimping:**

*Solution:* Accurate measurement is critical before cutting and crimping. Since swage fittings are typically one-time use, it is advisable to have extra cable and fittings on hand for initial learning or in case of measurement errors. Always double-check measurements before making permanent cuts and crimps.

## WARRANTY AND SUPPORT

---

BLIKA stands behind the quality of its products. If you are not satisfied with this item at any time within one month of purchase, we will provide a replacement. For further assistance, technical support, or inquiries about compatible tools and accessories, please visit the official BLIKA store on Amazon or contact customer service through the platform.

Official BLIKA Store: [Visit BLIKA Store](#)