



Manuals.plus /

› Quechua /

› QUECHUA Arpenaz NH100 10L Hiking Backpack User Manual

Quechua 8844351

QUECHUA Arpenaz NH100 10L Hiking Backpack User Manual

Model: 8844351

[Introduction](#)

[Setup](#)

[Operating Instructions](#)

[Maintenance](#)

[Troubleshooting](#)

[Specifications](#)

[Support](#)

1. INTRODUCTION

This manual provides essential information for the proper use, care, and maintenance of your QUECHUA Arpenaz NH100 10L Hiking Backpack. Designed for short hikes and daily use, this compact and lightweight backpack offers practical storage for your essentials. Please read this manual thoroughly to ensure optimal performance and longevity of your product.



Figure 1: Front view of the Arpenaz NH100 backpack.

2. SETUP

Before using your backpack, perform a quick inspection and adjust the straps for comfortable carrying.

2.1 Initial Inspection

- Unpack the backpack and remove any protective packaging.
- Inspect all zippers, seams, and buckles for any signs of damage or manufacturing defects.
- Ensure all compartments open and close smoothly.

2.2 Adjusting Shoulder Straps

Proper adjustment of the shoulder straps is crucial for comfort and weight distribution.

1. Put on the backpack.
2. Pull the ends of the shoulder straps downwards to tighten them until the backpack sits snugly against your back.

3. Ensure the backpack's weight is evenly distributed across your shoulders.



Figure 2: Detail of the adjustable shoulder strap.

3. OPERATING INSTRUCTIONS

This section details how to effectively use your Arpenaz NH100 backpack for various activities.

3.1 Packing the Main Compartment

The main compartment is designed for larger items. Utilize the internal money compartment for valuables.

- Open the main zipper to access the primary storage area.
- Place heavier items closer to your back for better balance.
- Use the transparent inner money compartment for secure storage of cash, cards, or small documents.



Figure 3: Main compartment with internal storage.

3.2 Using External Pockets

The backpack features an outer pocket and a mesh side pocket for quick access items.

- **Front Outer Pocket:** Ideal for small items like maps, a phone, or keys that you need to access frequently.
- **Mesh Side Pocket:** Designed to hold a 1-liter water bottle, ensuring hydration is always within reach.



Figure 4: Front outer pocket for quick access items.

3.3 Carrying the Backpack

Ensure the backpack is worn correctly for comfort during extended periods.

- Once packed, put on the backpack using both shoulder straps.
- Re-adjust straps if necessary to maintain a snug fit.
- The backpack is designed to be lightweight and comfortable for short excursions.



Figure 5: Backpack worn by a user.

4. MAINTENANCE

Proper care will extend the life of your QUECHUA Arpenaz NH100 backpack.

4.1 Cleaning Instructions

- **Spot Cleaning:** For minor dirt, use a damp cloth with mild soap. Gently rub the affected area.
- **Hand Washing:** For a more thorough clean, hand wash the backpack in lukewarm water with a small amount of mild detergent. Do not use bleach or harsh chemicals.
- **Rinsing:** Rinse thoroughly to remove all soap residue.
- **Drying:** Air dry the backpack completely in a shaded, well-ventilated area. Do not tumble dry or expose to direct sunlight for prolonged periods, as this can damage the fabric and colors.
- **Do Not Machine Wash:** Machine washing can damage the backpack's structure and coatings.

4.2 Storage

- Store the backpack in a cool, dry place away from direct sunlight when not in use.
- Ensure the backpack is completely dry before storing to prevent mold and mildew.
- Avoid storing heavy objects on top of the backpack to maintain its shape.

5. TROUBLESHOOTING

This section addresses common issues you might encounter with your backpack.

5.1 Zipper Issues

- **Stuck Zipper:** If a zipper is stuck, gently try to move it back and forth. Do not force it. Apply a small amount of zipper lubricant (e.g., graphite from a pencil) to the teeth.
- **Zipper Teeth Separation:** If the zipper teeth separate after closing, try to re-align them by moving the slider back to the start and re-zipping slowly. If the issue persists, the slider might be worn and may require professional repair.

5.2 Discomfort While Carrying

- **Uneven Weight Distribution:** Ensure items are packed evenly, with heavier items closer to your back.
- **Incorrect Strap Adjustment:** Re-adjust shoulder straps to ensure the backpack sits high and snug on your back, as described in Section 2.2.
- **Overloading:** The Arpenaz NH100 is a 10L backpack. Avoid overloading it beyond its intended capacity, as this can cause discomfort and strain.

6. SPECIFICATIONS

Key technical specifications for the QUECHUA Arpenaz NH100 10L Hiking Backpack.

Feature	Detail
Model Number	8844351
Capacity	10 Liters
Product Dimensions (H x W x D)	15.75 x 8.66 x 5.91 inches (40 x 22 x 15 cm)
Item Weight	6.7 ounces (190 Grams)
Department	Unisex-Adult
Manufacturer	QUECHUA

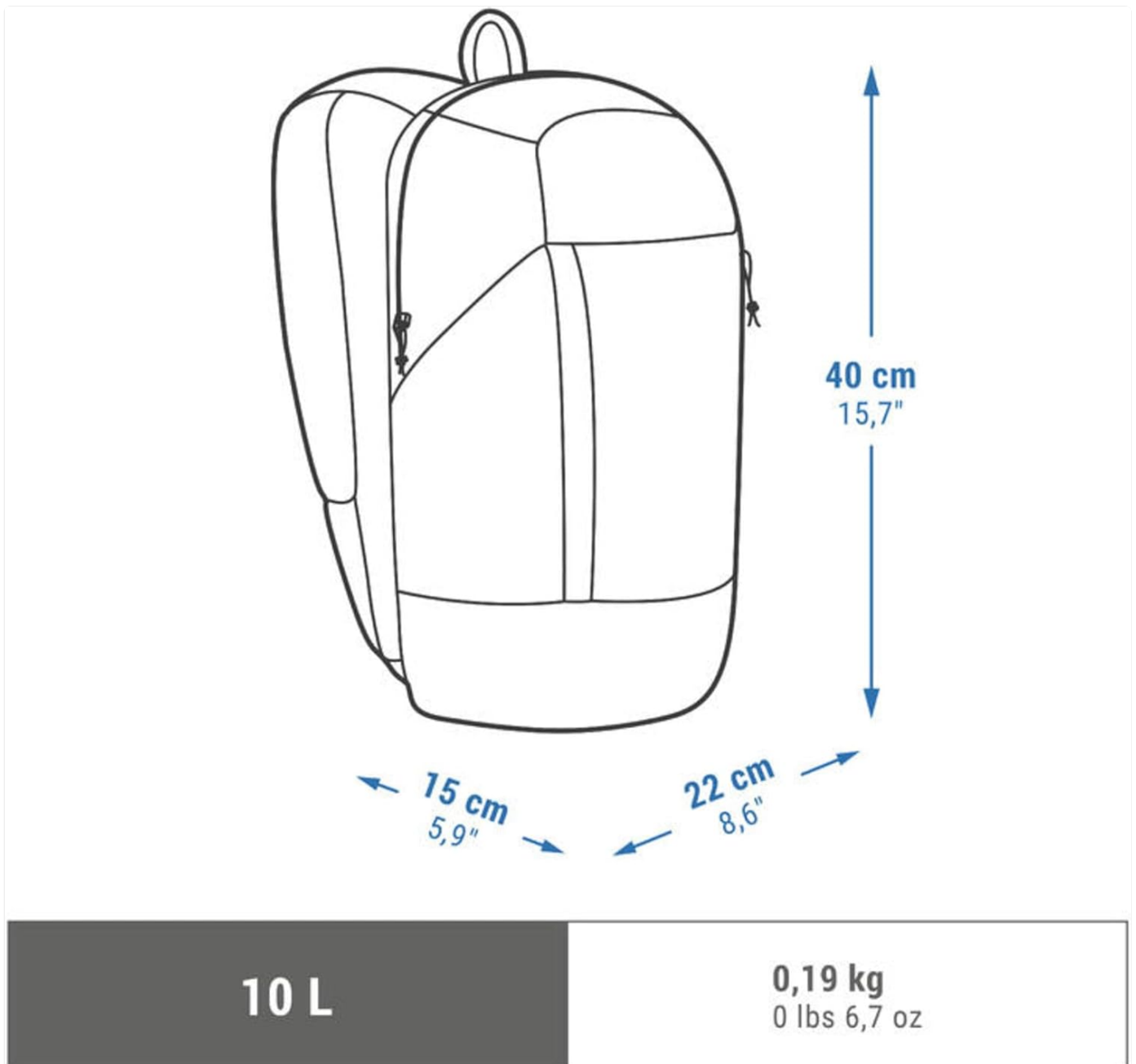


Figure 6: Backpack dimensions and capacity.

7. SUPPORT AND WARRANTY

For further assistance or information regarding your QUECHUA Arpenaz NH100 backpack, please refer to the following:

7.1 Customer Support

If you have questions or require support, please contact QUECHUA customer service through their official website or the retailer where the product was purchased. Keep your purchase receipt and model number (8844351) handy for faster service.

7.2 Product Warranty

QUECHUA products are designed for durability and performance. Information regarding specific warranty terms and conditions can typically be found on the product's packaging or the official QUECHUA website. Please retain your proof of purchase for any warranty claims.



