



Manuals.plus /

› Better Living /

› Better Living HiRise 4 Tension Shower Pole Caddy Model 70058 Instruction Manual

Better Living 70058

Better Living HiRise 4 Tension Shower Pole Caddy Instruction Manual

Model: 70058

1. PRODUCT OVERVIEW

The Better Living HiRise 4 Tension Shower Pole Caddy is a space-saving corner storage system designed to organize your shower essentials. It features a sturdy aluminum pole that adjusts to fit most tubs and showers, extending from 5 feet to 9 feet in height. The caddy includes four adjustable baskets, an adjustable fog-resistant mirror, and two movable accessory hooks for convenient storage.

Key Features:

- Easy assembly without tools.
- Four large, adjustable baskets with inverted bottle holders.
- Fog-resistant, adjustable mirror.
- Two movable accessory hooks.
- Spring-loaded tension pole, adjustable from 5' to 9' (60" to 108").
- Constructed from rust-free aluminum.

2. SAFETY GUIDELINES

- Ensure the tension pole is securely installed between the floor and ceiling/tub edge and ceiling before placing items on the baskets.
- Do not overload the baskets. Distribute weight evenly.
- Regularly check the stability of the caddy.
- Keep small children away from the caddy during installation to prevent injury from spring tension.

3. PACKAGE CONTENTS

Please verify that all components are present before beginning assembly:

- Tension Pole (multiple sections)
- 4 Adjustable Baskets
- 1 Fog-Resistant Mirror

- 2 Accessory Hooks
- Instruction Sheet





Image 3.1: All components of the HiRise 4 Tension Shower Caddy.

4. INSTALLATION INSTRUCTIONS

No tools are required for the assembly and installation of your HiRise 4 Tension Shower Caddy.

Step 1: Assemble the Pole Sections

1. Connect the pole sections by twisting them together until secure. Ensure the spring-loaded section is at the top.
2. Adjust the pole to approximately the desired height by extending or retracting the inner pole.

MODERN, SLEEK DESIGN

with substantial contemporary storage
to harmonize your space

STRONG AND LIGHTWEIGHT ALUMINUM POLE



Image 4.1: Illustration of the aluminum spring-loaded tension pole, adjustable from 5 to 9 feet.

Step 2: Position the Caddy

1. Place the bottom end of the pole firmly on the shower floor or tub edge.
2. Compress the spring-loaded top section and position the top end against the ceiling. Release the spring to create tension, securing the pole in place.
3. Ensure the pole is vertical and stable. The caddy is suitable for heights between 5 feet (60 inches) and 9 feet (108 inches).

SPACE-SAVING CORNER STORAGE SYSTEM



UPSIDE DOWN
BOTTLE HOLDERS



UP TO
9 FEET
2.74 M
HEIGHT

Image 4.2: The HiRise 4 Caddy installed in a shower corner, illustrating its adjustable height and space-saving design.

Step 3: Attach Baskets and Accessories

1. Slide the baskets onto the pole at your desired heights. Each basket can be secured by tightening its locking mechanism.
2. Attach the fog-resistant mirror to the pole at an accessible height.
3. Clip the two accessory hooks onto any basket edge or directly onto the pole for hanging razors, loofahs, or other items.

DIMENSIONS

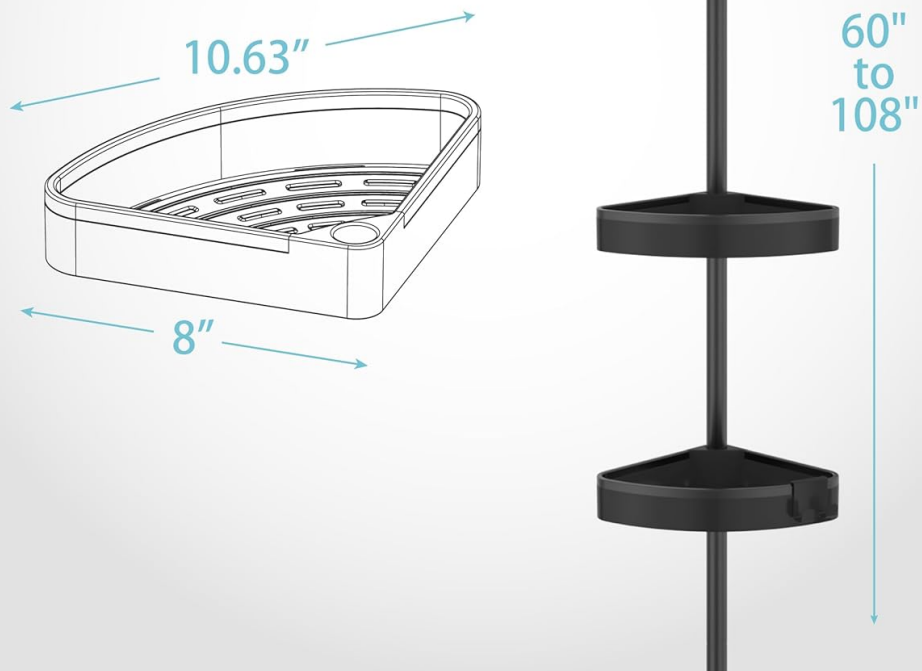


Image 4.3: Detailed view of the caddy's features, including the adjustable mirror, movable hooks, and baskets with inverted bottle holders.

5. OPERATING INSTRUCTIONS

Adjusting Basket Height:

To reposition a basket, loosen its locking mechanism, slide it to the new desired height, and then firmly tighten the mechanism to secure it.

Using the Mirror:

The mirror is fog-resistant and can be adjusted up or down the pole, and tilted to your preferred angle for grooming tasks.

Utilizing Accessory Hooks:

The two movable hooks can be attached to any basket or directly to the pole to hang items like razors, washcloths, or sponges.

Inverted Bottle Holders:

The baskets feature integrated inverted bottle holders, allowing you to store shampoo, conditioner, and

soap bottles upside down to easily dispense every last drop.

6. CARE AND CLEANING

To maintain the appearance and functionality of your shower caddy, follow these cleaning guidelines:

- Clean regularly with a soft cloth and mild soap.
- Avoid using abrasive cleaners, scouring pads, or harsh chemicals, as these can damage the finish.
- Rinse thoroughly after cleaning to remove any soap residue.
- The aluminum construction is designed to be rust-free, ensuring long-lasting durability.

7. TROUBLESHOOTING

Caddy is not stable:

- Ensure the pole is fully extended and the spring mechanism is providing adequate tension between the floor/tub and ceiling.
- Verify that the pole is positioned vertically and not leaning.
- Check that the floor/tub surface and ceiling surface are flat and provide a secure grip for the pole ends.

Baskets are sliding down:

- Confirm that the locking mechanisms on each basket are fully tightened.
- Avoid overloading baskets, as excessive weight can cause them to slip.

8. PRODUCT SPECIFICATIONS

Specification	Detail
Model Number	70058
Material	Aluminum
Color	Black
Product Dimensions	8"D x 10.63"W x 108"H (max)
Adjustable Height	5' to 9' (60" to 108")
Item Weight	4.39 pounds
Special Feature	Rust Resistant, Fog-resistant mirror
UPC	773315700582

9. WARRANTY INFORMATION

This product is covered by the manufacturer's standard warranty. For specific details regarding warranty coverage, duration, and terms, please refer to the documentation included with your purchase or visit the official Better Living website.

10. CUSTOMER SUPPORT

If you have any questions, require assistance with assembly, or need to report a missing or damaged part, please contact Better Living customer support. Contact information can typically be found on the product packaging or on the official Better Living website.

For more information, visit the [Better Living Store on Amazon](#).