



[Manuals.plus](#) /

› [LEGO](#) /

› [LEGO Marvel Captain America vs. Red Hulk Battle Building Set \(Model 76292\) Instruction Manual](#)

## LEGO 76292

# LEGO Marvel Captain America vs. Red Hulk Battle Building Set (Model 76292) Instruction Manual

For ages 7 and up

## INTRODUCTION

---

This manual provides detailed instructions for assembling and understanding the features of your LEGO Marvel Captain America vs. Red Hulk Battle Building Set, model 76292. This set allows for the construction of a fighter jet and includes several minifigures for interactive play scenarios.



Image: The complete LEGO Marvel Captain America vs. Red Hulk Battle Building Set, showing the product packaging, the assembled fighter jet, and the included minifigures of Captain America, Falcon, Red Hulk, and Ruth Bat-Seraph.

## CONTENTS OF THE BOX

---

Upon opening the package, you will find the following components:

- 223 LEGO Building Elements
- Captain America Minifigure with opening wings
- Falcon Minifigure with opening wings
- Red Hulk Minifigure
- Ruth Bat-Seraph Minifigure
- Instruction Booklet

Please ensure all components are present before beginning assembly. If any pieces are missing, refer to the 'Troubleshooting' section.

## ASSEMBLY INSTRUCTIONS

---

Follow the step-by-step visual guide provided in the included instruction booklet to construct the fighter jet and minifigures. Sort the LEGO elements by color and size to facilitate the building process.

### Digital Building Instructions

For an interactive building experience, download the official LEGO Builder app. This application allows you to zoom, rotate, and visualize the model in 3D as you build, and track your progress.



Image: A tablet displaying the LEGO Builder app, illustrating a 3D view of a LEGO piece being attached during the building process, with various LEGO bricks scattered around.

## OPERATING AND FEATURES

---

Once assembled, the LEGO Marvel Captain America vs. Red Hulk Battle set offers several interactive features:

- **Fighter Jet Cockpit:** The jet features a large opening cockpit designed to accommodate a minifigure pilot.

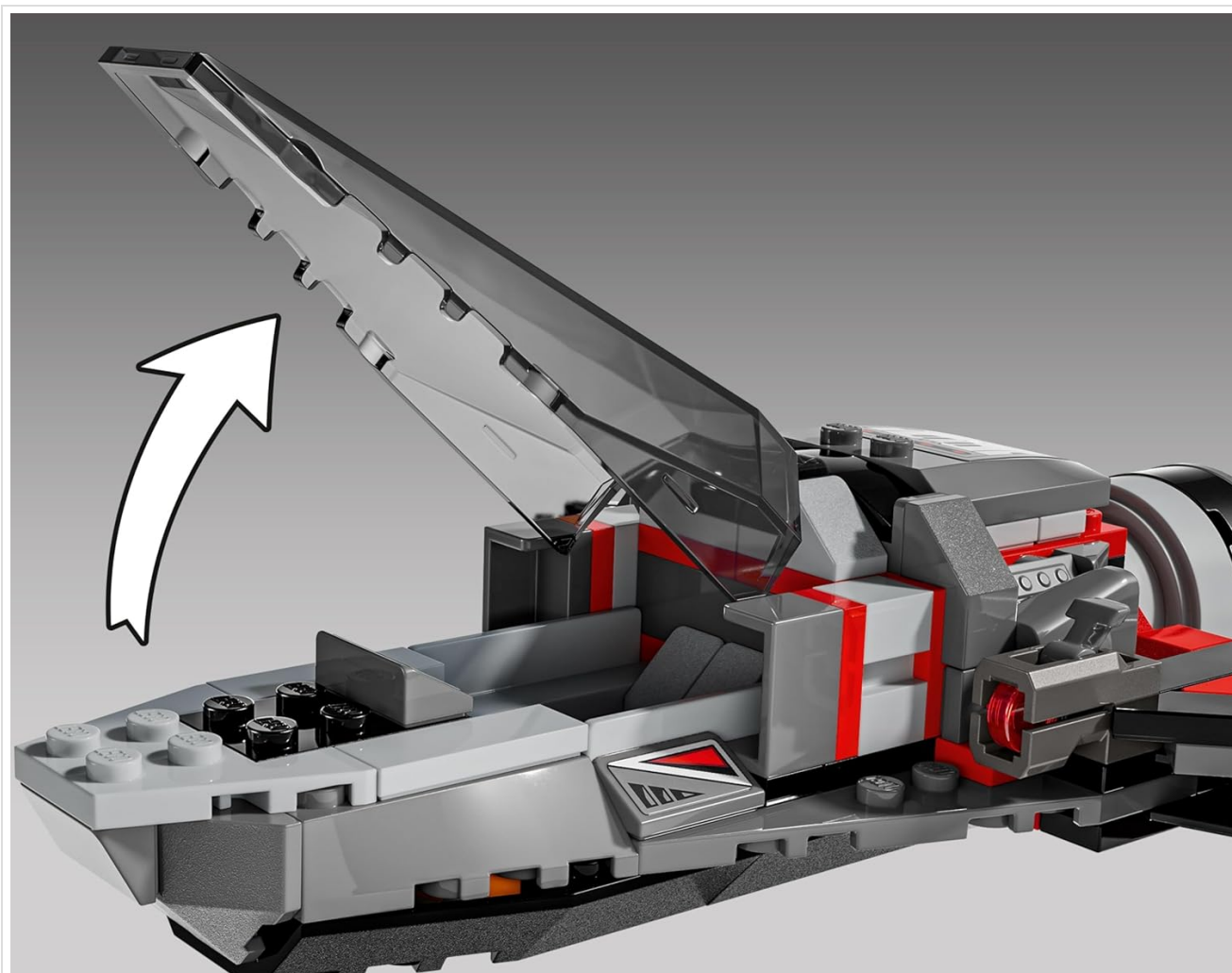


Image: A close-up view of the LEGO fighter jet's cockpit, showing the canopy hinged open to reveal the interior seating area for a minifigure.

- **Stud Shooters:** The jet is equipped with two stud shooters. To launch a stud, press the mechanism located on the side of the shooter.

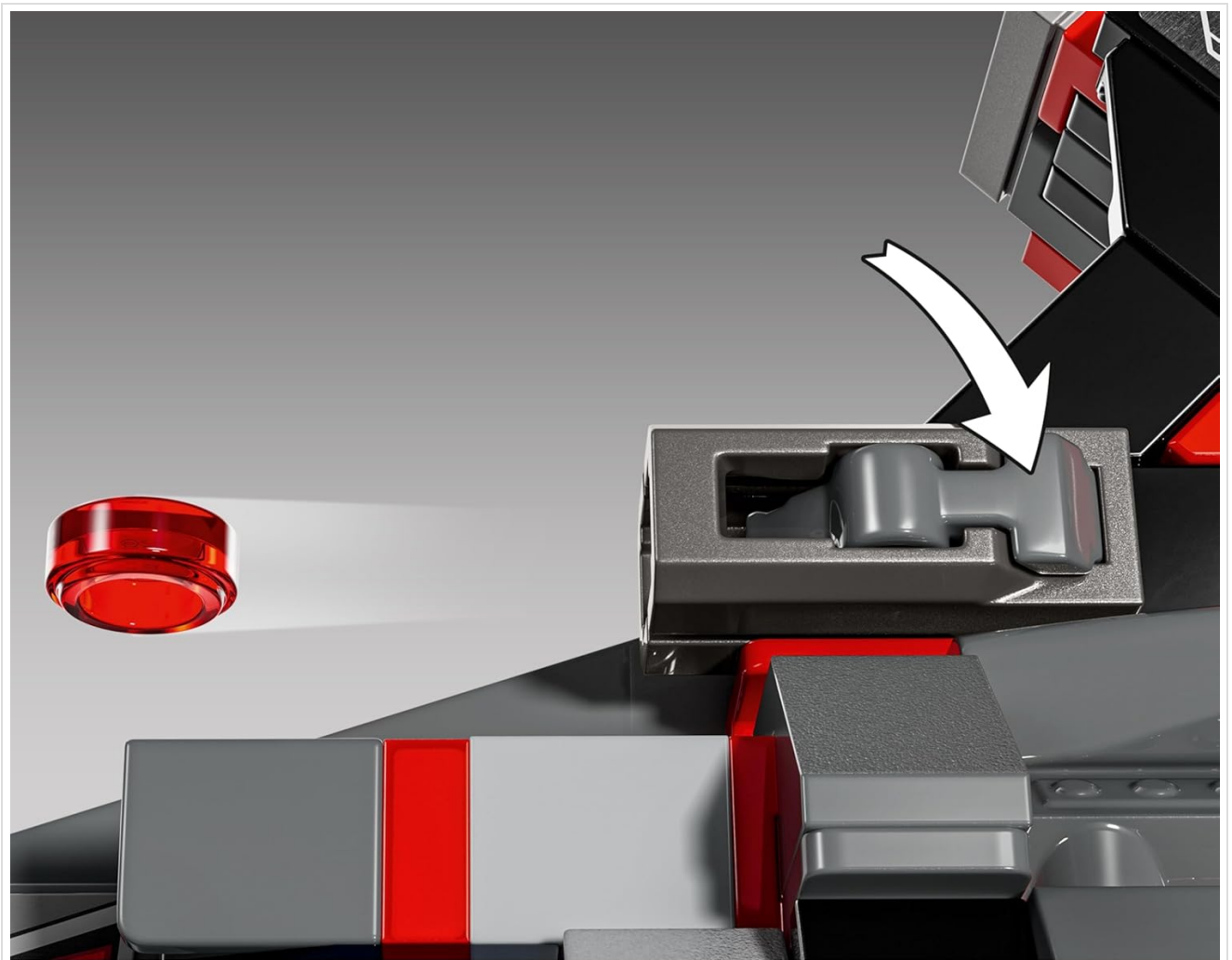


Image: A detailed view of the stud shooter on the LEGO fighter jet, with a red stud being launched from the mechanism.

- **Hidden Storage Compartment:** A top section of the jet can be removed to access a hidden storage compartment in the rear. This space is suitable for storing spare studs or small accessories.

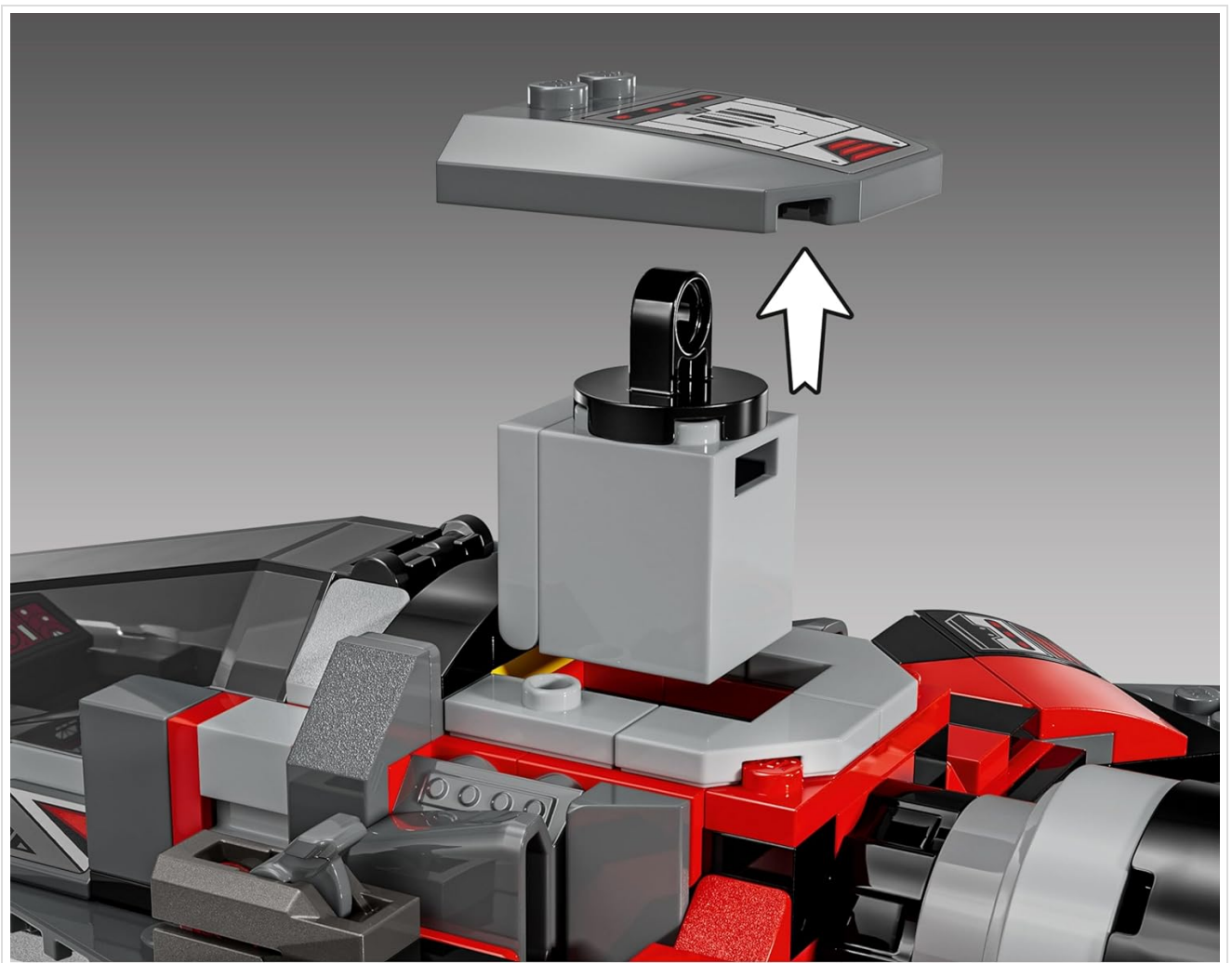


Image: The top panel of the LEGO fighter jet being lifted to reveal a hidden storage compartment underneath, designed to hold small items.

- **Minifigures:** The set includes Captain America, Falcon, Red Hulk, and Ruth Bat-Seraph minifigures, each with unique details for role-playing scenarios.



## **CAPTAIN AMERICA, FALCON, RED HULK, RUTH BAT-SERAPH**



Image: The four minifigures included in the set: Captain America, Falcon, Red Hulk, and Ruth Bat-Seraph, standing together.

  
8+ 223



Image: The assembled LEGO fighter jet in a dynamic pose with the Captain America, Falcon, and Red Hulk minifigures, simulating a battle scene.

## CARE AND MAINTENANCE

---

To ensure the longevity of your LEGO set, follow these care guidelines:

- **Cleaning:** Clean LEGO bricks with mild soap and water (maximum 40°C / 104°F). Rinse thoroughly and air dry. Do not use hot water, harsh chemicals, or abrasive materials.
- **Storage:** Store the set in a cool, dry place away from direct sunlight to prevent discoloration and material degradation.
- **Handling:** Handle the assembled model with care to avoid accidental disassembly.

## TROUBLESHOOTING

---

### Missing Pieces

If you find any pieces missing from your set, please visit the official LEGO Customer Service website to request replacement parts. You will typically need the set number (76292) and the part number, which can be found in the back of the instruction booklet.

### Assembly Difficulties

If you encounter difficulties during assembly, double-check the instruction booklet or the LEGO Builder app for clarity. Ensure that all pieces are correctly oriented and firmly pressed together. Sometimes, a small piece may be overlooked or incorrectly placed.

## PRODUCT SPECIFICATIONS

---

<b>Brand</b>	LEGO
<b>Model Name</b>	Captain America vs. Red Hulk Battle

<b>Set Number</b>	76292
<b>Item Model Number</b>	6474829
<b>Number of Pieces</b>	223
<b>Recommended Age</b>	7 years and up
<b>Product Dimensions</b>	10.32 x 7.52 x 2.4 inches (Packaging)
<b>Item Weight</b>	13.4 ounces
<b>Release Date</b>	December 1, 2024
<b>Manufacturer</b>	LEGO

## SUPPORT AND WARRANTY

---

For further assistance, replacement parts, or information regarding LEGO product warranties, please visit the official LEGO website or contact their customer service department. Specific warranty details are typically provided with the product packaging or available on the LEGO website.

Official LEGO Website: [www.lego.com](http://www.lego.com)