

[Manuals.plus](#) /

› [VASAGLE](#) /

› VASAGLE CUSTOS ULHS030B03 Storage Bench with Cushion Instruction Manual

## VASAGLE ULHS030B03

# VASAGLE CUSTOS ULHS030B03 Storage Bench with Cushion Instruction Manual

MODEL: ULHS030B03

## 1. Introduction

---

Thank you for choosing the VASAGLE CUSTOS Storage Bench. This manual provides essential information for the assembly, safe use, and maintenance of your new storage bench. Please read these instructions carefully before assembly and retain them for future reference.



Figure 1: VASAGLE CUSTOS ULHS030B03 Storage Bench with Cushion in Ebony Black and Ink Black, placed in an entryway.

## 2. Safety Information

- **Maximum Weight Limit:** Do not exceed the maximum weight limit of 300 lb (136 kg).
- **Intended Use:** Always use the bench for its intended purpose as a seating and storage unit.
- **Stability:** Avoid placing heavy objects on the bench that could cause it to tip over. Ensure the bench is placed on a flat, stable surface.
- **Assembly:** Follow all assembly instructions carefully. Do not use power tools unless explicitly instructed, as overtightening screws can damage the material.
- **Children:** Keep small parts and packaging materials away from children during assembly to prevent choking hazards.

## 3. Package Contents

Before beginning assembly, please verify that all components listed below are present and undamaged. If any parts are missing or damaged, please contact customer support.

- 1 x Shoe Storage Bench (main components)

- 1 x Accessory Kit (includes screws, dowels, and an Allen key)
- 1 x Instruction Manual

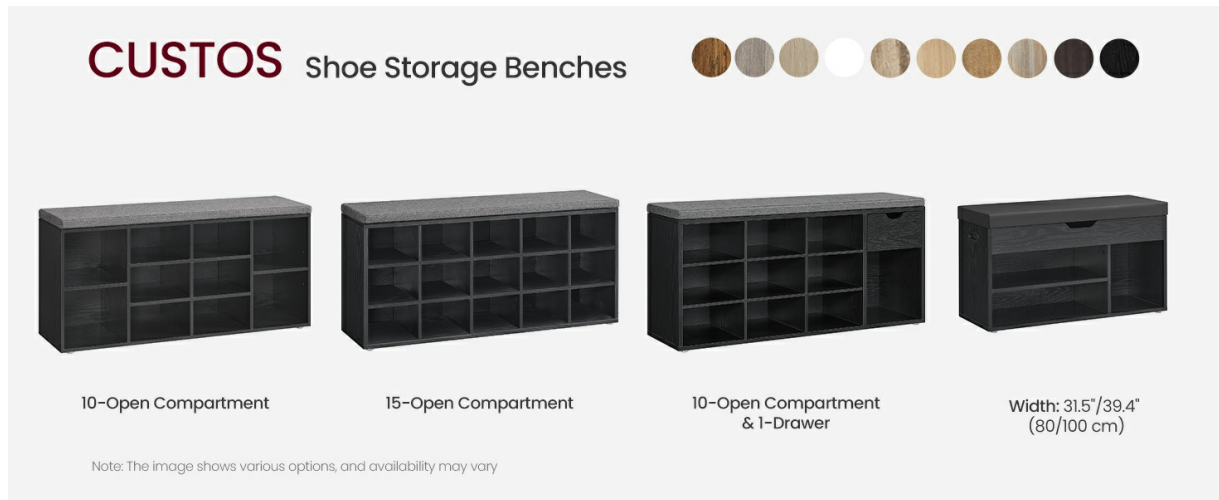


Figure 2: All components of the storage bench laid out for assembly.

## 4. Setup and Assembly Instructions

Assembly typically takes approximately 1 hour. It is recommended to assemble the bench with a screwdriver rather than a drill to prevent overtightening and damage.

1. **Unpack and Identify Parts:** Lay out all wooden panels and hardware from the accessory kit. Each wooden panel is labeled with a sticker (e.g., A, B, C) for easy identification.
2. **Assemble the Base Frame:** Connect the side panels to the bottom panel using the provided screws and dowels. Ensure all connections are secure.
3. **Install Shelves:** Insert the internal shelves into their designated slots. The open shelves are designed to hold shoes or other items.
4. **Attach the Top Panel:** Secure the top panel to the assembled frame.
5. **Install Cushion and Hinges:** Attach the padded cushion to the top panel using the metal hinges. Ensure the hinges are properly aligned for smooth opening and closing. The hinges are designed to prevent slamming shut for safe use.
6. **Attach Foot Pads:** Apply the non-slip foot pads to the bottom of the bench to protect your floors.

**VASAGLE**  
by SONGMICS HOME



*Figure 3: Detailed dimensions and load capacity of the storage bench.*

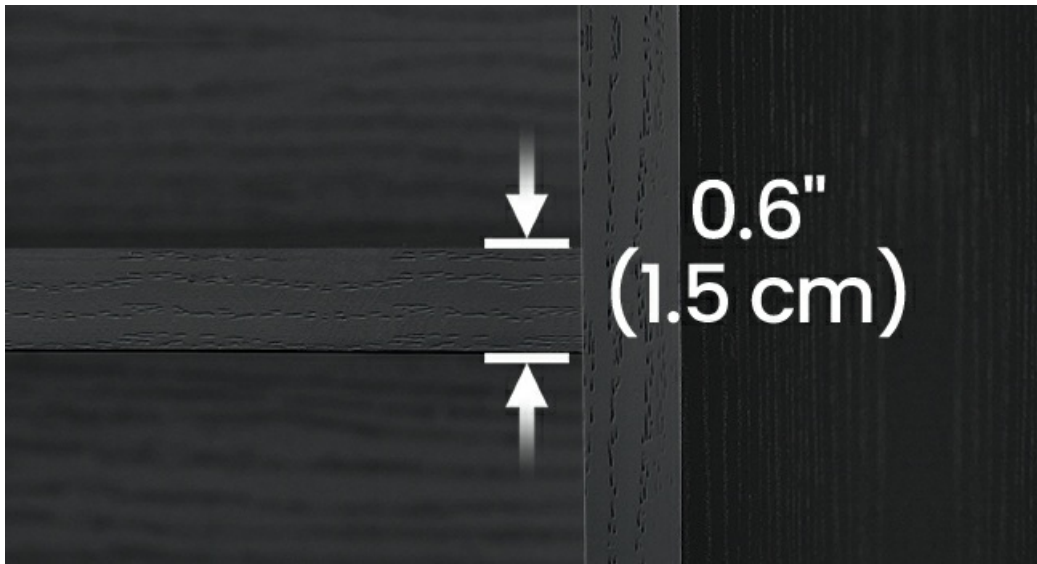


Figure 4: Illustration of the 0.6-inch thick particleboard construction.

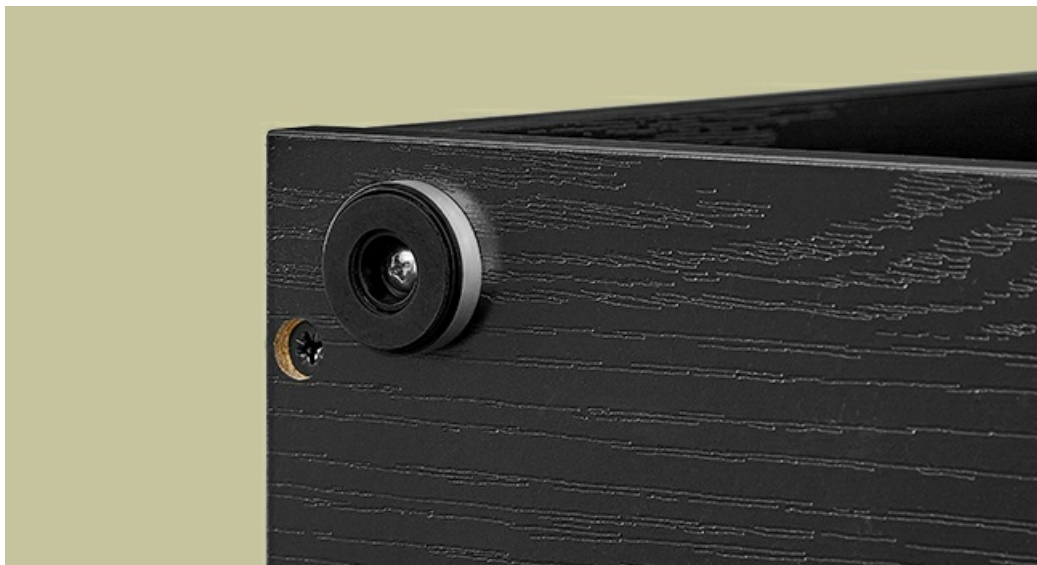


Figure 5: Non-slip foot pads for floor protection.

## 5. Operating Instructions / Usage

The VASAGLE CUSTOS Storage Bench is designed for versatile use in your entryway, living room, or bedroom.

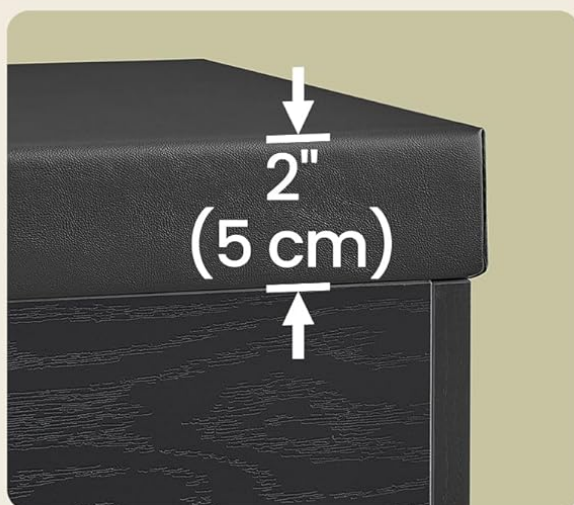
- **Seating:** The plush 2-inch thick foam cushion provides a comfortable spot to sit while putting on or taking off shoes.
- **Hidden Storage:** Lift the padded seat to access the 2.8-inch deep hidden compartment. This space is ideal for stowing away gloves, scarves, small bags, or other items you need readily accessible when heading out. The lid features a cutout for easy opening and safety hinges to prevent accidental slamming.
- **Open Shelves:** The open shelves below the seat can accommodate up to 7 pairs of shoes or other items like sports gear. One larger compartment is suitable for boots.
- **Portability:** The bench includes cutout handles on both sides for easy transport and repositioning within your home.



# Sit in Comfort



High-Resilience  
Foam



2" (5 cm) Thick Cushion



Easy-to-Clean PU Cover

Figure 7: Enhanced seating comfort with a thick cushion.



Handles for Easy  
Movement



Cutout for  
Easy Lid Opening

*Figure 8: Cutout handles for easy movement and lid opening.*

## 6. Maintenance

- **Cleaning:** Wipe the surface of the bench with a dry cloth. For the PU (polyurethane) leather cushion, use a damp cloth with mild soap if necessary, then wipe dry immediately. Avoid harsh chemicals or abrasive cleaners.
- **Inspection:** Periodically check all screws and connections to ensure they remain tight. Retighten if necessary to maintain stability.
- **Avoid Moisture:** Keep the bench away from excessive moisture and direct sunlight to prevent warping or fading of the material.

## 7. Troubleshooting

- **Wobbling:** If the bench feels wobbly, check that all screws are securely tightened. Ensure the bench is on a level surface. Adjust foot pads if applicable.
- **Lid Issues:** If the lid does not open or close smoothly, check the alignment of the hinges. Ensure no objects are obstructing the lid's movement.
- **Missing Parts:** If you find any parts missing during assembly, refer to the 'Package Contents' section and contact customer support for assistance.

## 8. Specifications

<b>Product Dimensions</b>	11.8"D x 31.5"W x 17.3"H (30 x 80 x 44 cm)
<b>Color</b>	Ebony Black + Ink Black
<b>Material</b>	Particleboard, Foam, PU (Polyurethane)
<b>Item Weight</b>	32.1 pounds (14.56 kg)
<b>Maximum Weight Recommendation</b>	300 pounds (136 kg)
<b>Seating Capacity</b>	2
<b>Assembly Required</b>	Yes
<b>Model Number</b>	ULHS030B03
<b>UPC</b>	194343305271

## 9. Warranty and Support

For any questions, concerns, or assistance with your VASAGLE CUSTOS Storage Bench, please contact the manufacturer's customer support. Please have your model number (ULHS030B03) and purchase information ready when contacting support.

Specific warranty details may vary by region and retailer. Please refer to your purchase documentation or the official VASAGLE website for comprehensive warranty information.