

[Manuals.plus](#) /

> [onerbl](#) /

> 48V AC/DC Power Adapter User Manual

onerbl 48V AC/DC Power Adapter

48V AC/DC Power Adapter User Manual

Brand: onerbl

INTRODUCTION

This user manual provides essential information for the safe and effective use of your onerbl 48V AC/DC Power Adapter. This adapter is designed to provide reliable power to compatible devices, including Lorex LNR6108, LNR6108X, LNR6108X-N, LNR6108-N, LNR6108X2T, and LNR61082T 4K HD NVR Security Surveillance Cameras, as well as other devices requiring a 48VDC power supply.



Image: The onerbl 48V AC/DC Power Adapter, showing the main adapter unit and its detachable power cord.

IMPORTANT SAFETY INFORMATION

Please read and understand all safety instructions before using this product. Failure to follow these instructions may result in electric shock, fire, or serious injury.

- Ensure the power adapter is used with devices that match its voltage and current specifications (48V DC).
- Do not expose the adapter to water, moisture, or extreme temperatures.
- Avoid dropping or subjecting the adapter to strong impacts.
- Do not attempt to open, modify, or repair the adapter. Refer servicing to qualified personnel.
- Unplug the adapter from the power outlet when not in use for extended periods.
- The adapter features built-in protections including **Over Voltage Protection**, **Over Heat Protection**, **Short-Circuit Protection**, and **Over-Current Protection** to ensure safe operation.

SMART CHIP



Guard Your Electricity Safety



Multiple Protection

Image: Diagram illustrating the smart chip with multiple protection features: short-circuit protection, over-voltage protection, and over-current protection.

PACKAGE CONTENTS

Verify that all items are present in the package:

- 1 x onerbl 48V AC/DC Power Adapter
- 1 x AC Power Cord (Type A plug)

SPECIFICATIONS

Feature	Specification
Input Voltage	AC 100-240V, 50/60Hz (Worldwide AC Input)
Output Voltage	48V DC
Color	Black
Plug Format	Type A
Total Cable Length	Approximately 127.8 inches (3.25 meters)

Cable Length: 127.8 inch

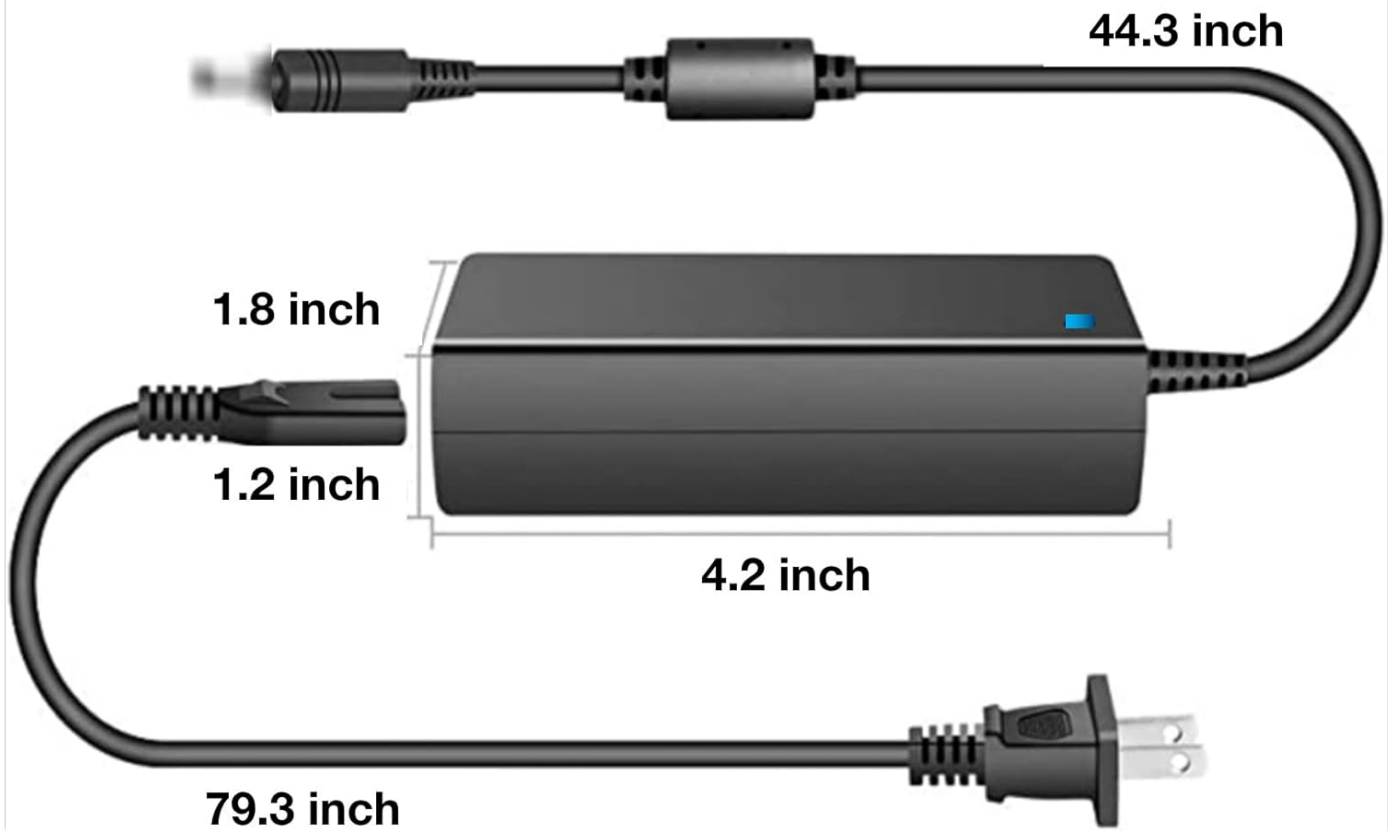


Image: Detailed dimensions of the power adapter and its cables, showing a total cable length of 127.8 inches.

EXTENDED CORD DESIGN

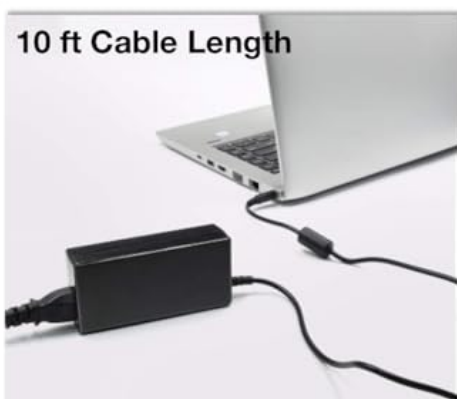
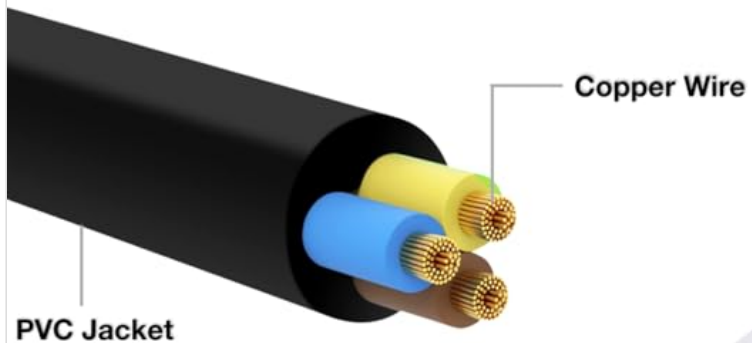
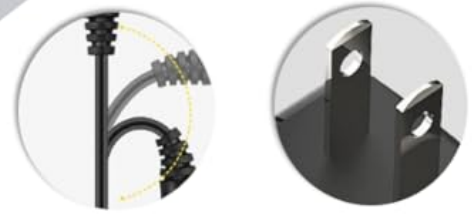


Image: An illustration demonstrating the concept of an extended cord design for power adapters, allowing for flexible placement.

QUALITY CONTROL



DURABLE DESIGN

Image: Illustration highlighting the quality control and durable design of the cable, featuring copper wire and a PVC jacket.

SETUP INSTRUCTIONS

1. **Connect the AC Power Cord:** Insert the two-prong end of the AC power cord into the corresponding receptacle on the power adapter unit.
2. **Connect to Device:** Plug the DC output connector of the power adapter into the 48V DC input port of your compatible device (e.g., Lorex NVR). Ensure a secure connection.
3. **Plug into Wall Outlet:** Insert the AC plug of the power cord into a standard AC 100-240V wall outlet.
4. **Verify Power:** Once connected, the adapter's indicator light (if present) should illuminate, and your device should power on or begin charging.



Image: The power adapter connected to a wall outlet and ready for use with a device.

OPERATING THE POWER ADAPTER

The onerbl 48V AC/DC Power Adapter operates automatically once connected. It converts the incoming AC voltage to the required 48V DC for your device. The blue indicator light on the adapter signifies that it is receiving power and functioning correctly.

This adapter is designed for a wide range of applications beyond NVRs, including set-top boxes, routers, batteries, LED strips, oxygen machines, Roomba devices, game players, digital frames, humidifiers, cameras, and depilators, provided they require a 48V DC input.

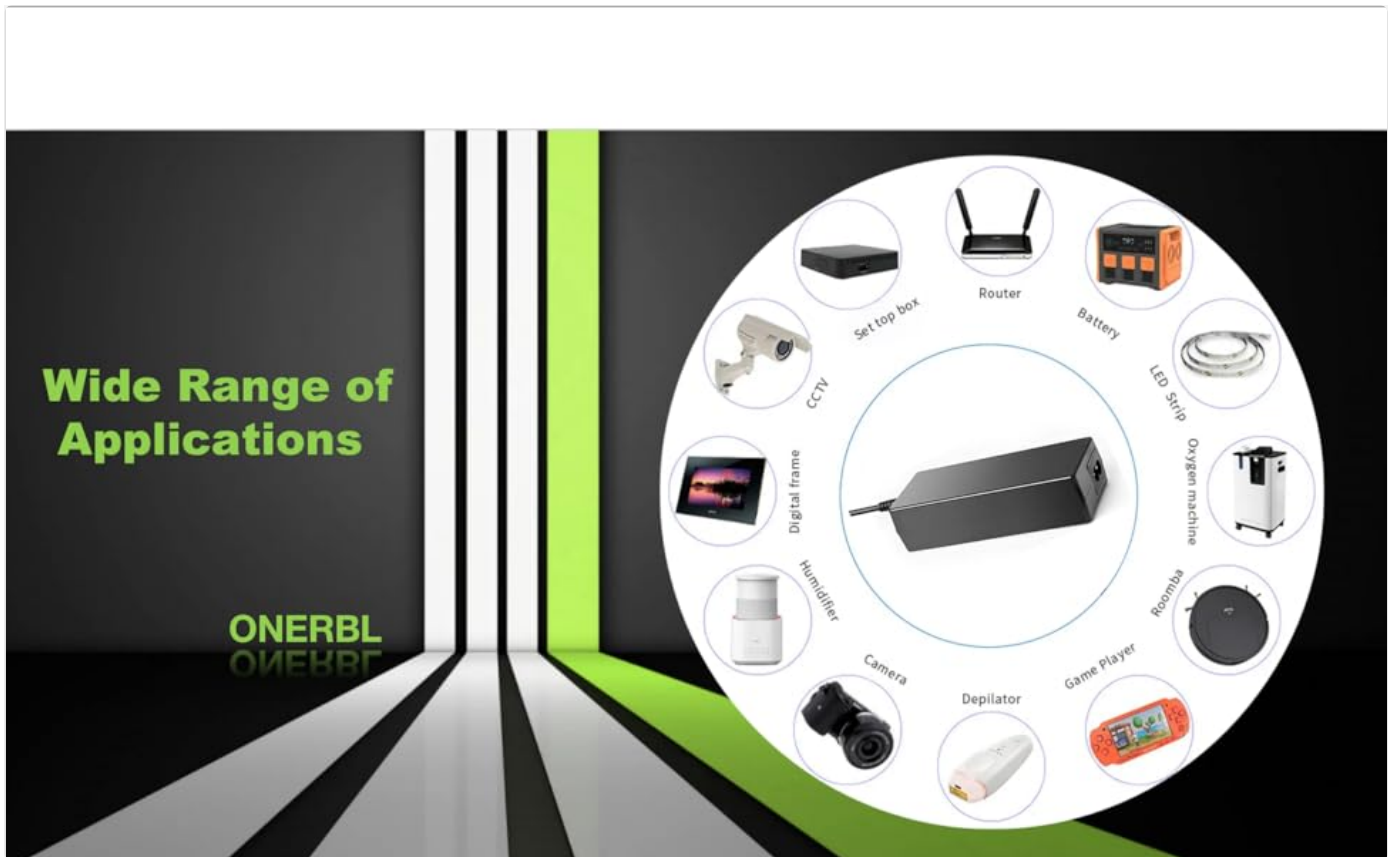


Image: A visual representation of the wide range of devices compatible with the 48V power adapter, including various electronics and home appliances.

MAINTENANCE AND CARE

- **Cleaning:** Disconnect the adapter from all power sources and devices before cleaning. Use a soft, dry cloth to wipe the surface. Do not use liquid cleaners or aerosols.
- **Storage:** Store the adapter in a cool, dry place away from direct sunlight and extreme temperatures when not in use.
- **Cable Management:** Avoid sharp bends or kinks in the power cord. Do not place heavy objects on the cord.

TROUBLESHOOTING

No Power / Device Not Functioning

- **Check Connections:** Ensure all cables are securely plugged into the adapter, the device, and the wall outlet.
- **Verify Outlet:** Test the wall outlet with another known working device to confirm it has power.
- **Inspect Adapter:** Check the adapter and cables for any visible damage, such as cuts, frayed wires, or bent pins. If damaged, discontinue use.
- **Device Compatibility:** Confirm that your device requires a 48V DC input. Using the adapter with incompatible voltage requirements can prevent operation or damage the device.

WARRANTY AND SUPPORT

This onerbl 48V AC/DC Power Adapter is a brand new, high-quality replacement unit, tested to be in great working condition. For any questions, technical support, or warranty inquiries, please contact the seller or manufacturer directly through your purchase platform.

For further assistance, please refer to the contact information provided by your retailer or the onerbl official support

channels.

© 2024 onerbl. All rights reserved.